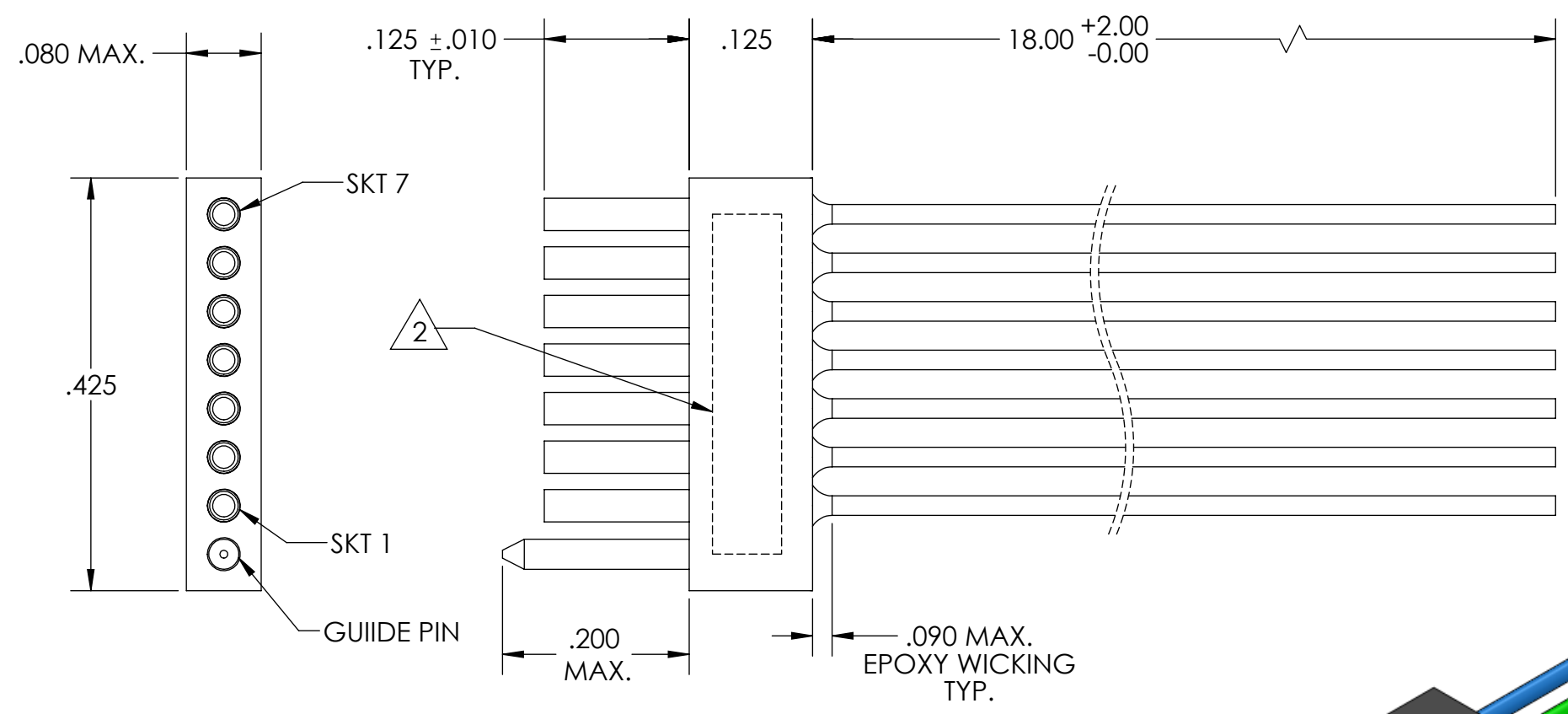
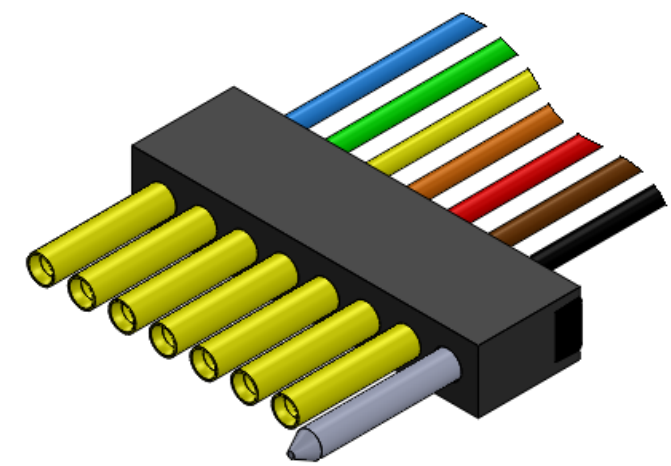


PART REV	DWG ISSUE	DATE	ECN NO.	APPVD BY	REL BY
-	-	10/24/13	UMI5137	DW	DW

F
E
D
C
B
A



7	BLU
6	GRN
5	YEL
4	ORG
3	RED
2	BRN
1	BLK
GUIDE PIN	



4. PERFORMANCE SPECIFICATIONS:
 CURRENT RATING: 3 AMPS MAX.
 DWV: 600 VAC
 TEMPERATURE RATING: 125° C

3 MATERIALS:
 INSULATOR: PPS PER MIL-M-24519 GST-40F, COLOR: BLACK
 SOCKET CONTACTS: C21000 BRASS ALLOY PER ASTM B36,
 GOLD PLATED PER ASTM B488
 WIRES: 26 AWG PER SAE-AS22759/11-26, COLOR CODE: PER MIL-STD-681
 GUIDE PIN: STAINLESS STEEL, PASSIVATED PER AMS 2700

2 MARKING: "UMI", DATE CODE, UMI PART NUMBER, (AS SPACE PERMITS).

1. CONNECTOR ASSEMBLY IS IAW MIL-DTL-83513 WHERE APPLICABLE.

NOTES: UNLESS OTHERWISE SPECIFIED.

QUALITY SYMBOLS CRITICAL MAJOR NO SYMBOLS = MINOR DIMENSIONS	UNLESS OTHERWISE SPECIFIED: ALL DIMENSIONS ARE IN INCHES	SCALE 6:1	DWG SIZE B	THIRD ANGLE PROJECTION	REVISE ON CAD ONLY	
	GENERAL TOLERANCES: 3 PLACES ±.005 2 PLACES ±.01 ANGULAR ±2°	DRAWN BY & DATE DU 10/18/13		TITLE: MICRO STRIP CONNECTOR, 7 SOCKET, 1 GUIDE PIN, 18.0 WIRE LENGTH, SR07S1-26M5-18.0		
	ULTI-MATE CAGE CODE 58967	CHECKED BY & DATE DW 10/18/13		MATERIAL: 3	ENG PROJECT #: E128	
		APPROVED BY & DATE DW 10/18/13		PART NO. 837072903	DRAWING NO. SD-837072903	
		CAD FILE NAME SD-837072903.DGN	PART NO. 837072903		DRAWING NO. SD-837072903	
THIS DRAWING CONTAINS INFORMATION THAT IS PROPRIETARY TO ULTI-MATE INCORPORATED AND SHOULD NOT BE USED WITHOUT WRITTEN PERMISSION.						