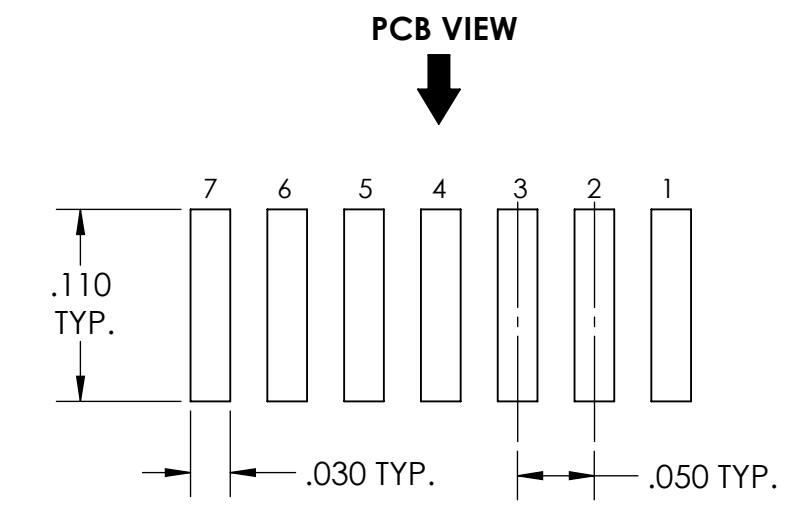
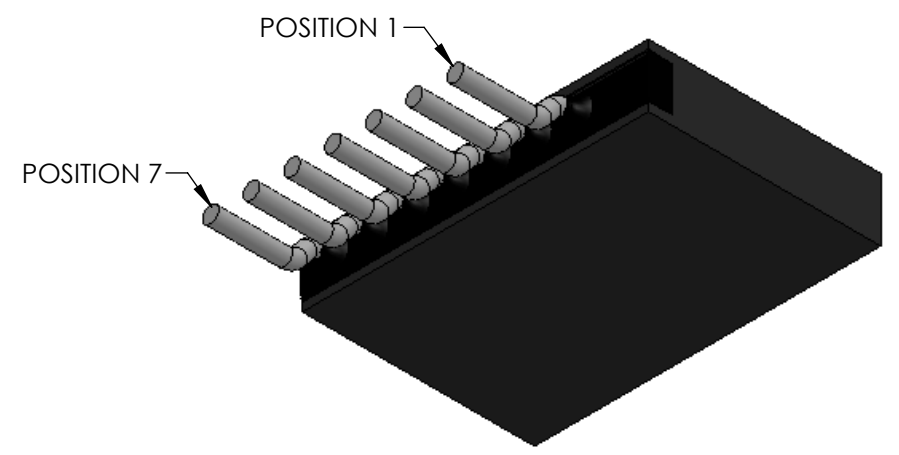
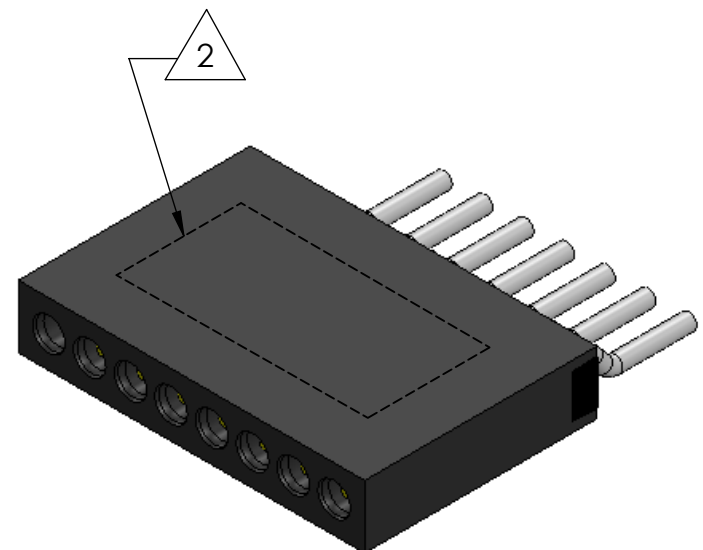
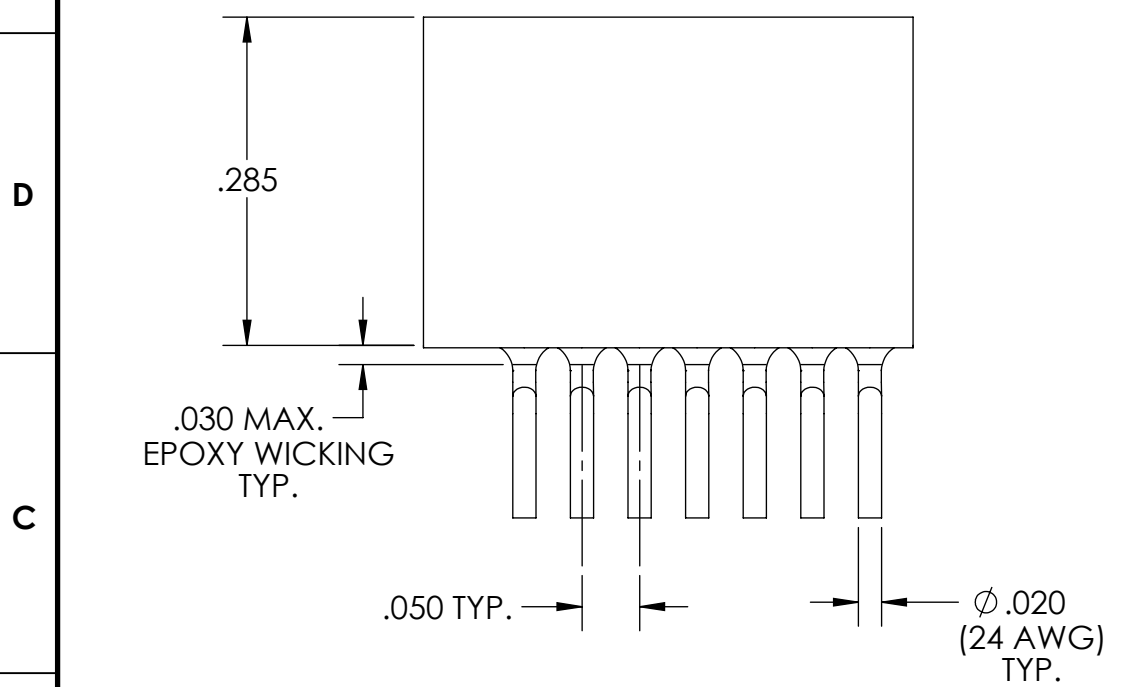
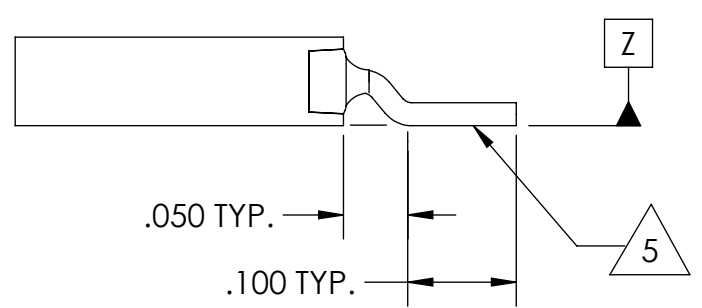
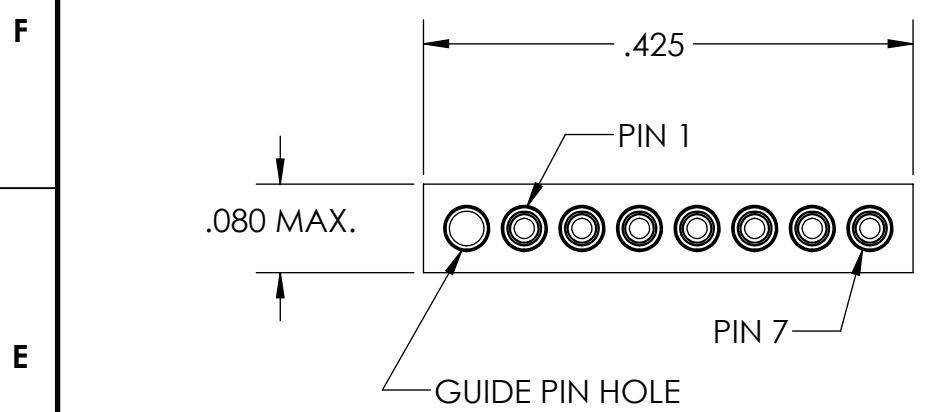


PART REV	DWG ISSUE	DATE	ECN NO.	APPVD BY	REL BY
-	-	10/24/13	UMI5137	DW	DW



**RECOMMENDED PCB LAYOUT**

5 LOWEST POINT OF PC LEADS TO BE WITHIN ±.005 FROM SURFACE 'Z'.  
COPLANARITY OF LEADS TO BE WITHIN .005 MAX. FROM THAT LOWEST POINT.

4. PERFORMANCE SPECIFICATIONS:  
CURRENT RATING: 3 AMPS MAX.  
DWV: 600 VAC  
TEMPERATURE RATING: 125° C

3 MATERIALS:  
INSULATOR: PPS PER MIL-M-24519 GST-40F, COLOR: BLACK  
PIN CONTACTS: C17200 BERYLLIUM COPPER PER ASTM B194,  
GOLD PLATED PER ASTM B488  
24 AWG LEADS: TIN PLATED COPPER ALLOY PER A-A-59551, TYPE S

2 MARKING: "UMI", DATE CODE, UMI PART NUMBER, (AS SPACE PERMITTS).

1. CONNECTOR ASSEMBLY IS IAW MIL-DTL-83513 WHERE APPLICABLE.

**NOTES: UNLESS OTHERWISE SPECIFIED.**

QUALITY SYMBOLS CRITICAL MAJOR NO SYMBOLS = MINOR DIMENSIONS	UNLESS OTHERWISE SPECIFIED; ALL DIMENSIONS ARE IN INCHES	SCALE <b>6:1</b>	DWG SIZE <b>B</b>	THIRD ANGLE PROJECTION	<b>REVISE ON CAD ONLY</b>	
	GENERAL TOLERANCES:  3 PLACES ±.005 2 PLACES ±.01 ANGULAR ±2°	DRAWN BY & DATE <b>DU 10/18/13</b>		TITLE: <b>MICRO STRIP CONNECTOR, 7 PIN, 1 GUIDE PIN HOLE, L05 LEADS, SR07P1-L05</b>		
	ULTI-MATE CAGE CODE <b>58967</b>	CHECKED BY & DATE <b>DW 10/18/13</b>		MATERIAL: <b>3</b>	ENG PROJECT #: <b>E128</b>	
		APPROVED BY & DATE <b>DW 10/18/13</b>		PART NO. <b>837071905</b>	DRAWING NO. <b>SD-837071905</b>	
		CAD FILE NAME <b>SD-837071905.DGN</b>		THIS DRAWING CONTAINS INFORMATION THAT IS PROPRIETARY TO ULTI-MATE INCORPORATED AND SHOULD NOT BE USED WITHOUT WRITTEN PERMISSION.		