

10

9

8

7

6

5

4

3

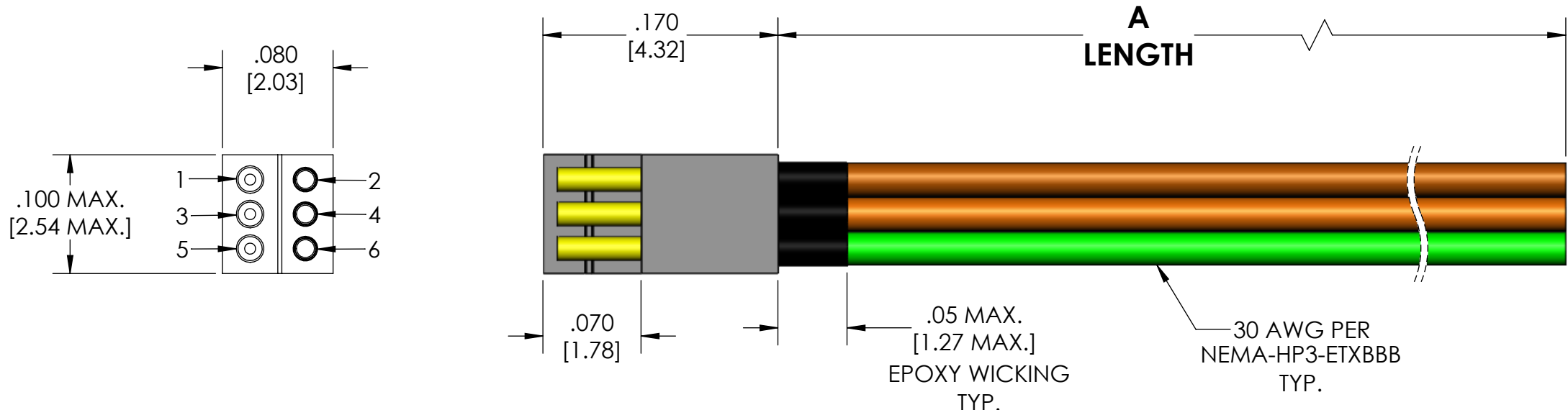
2

SD-837067904

PART REV	DWG ISSUE	DATE	ECN NO.	APPVD BY	REL BY
-	-	12/30/19	UMI7344	DU	DW

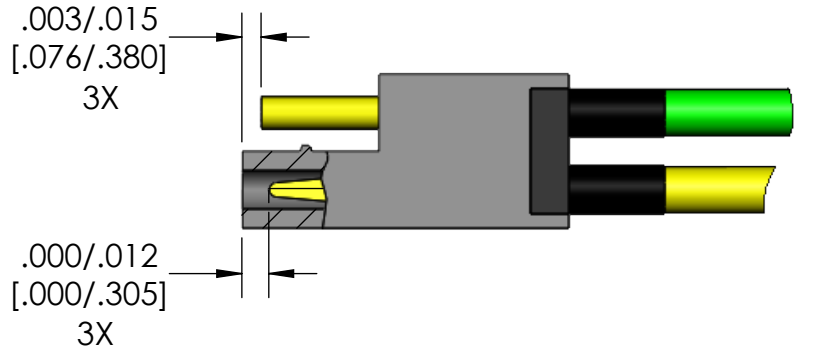
F

E

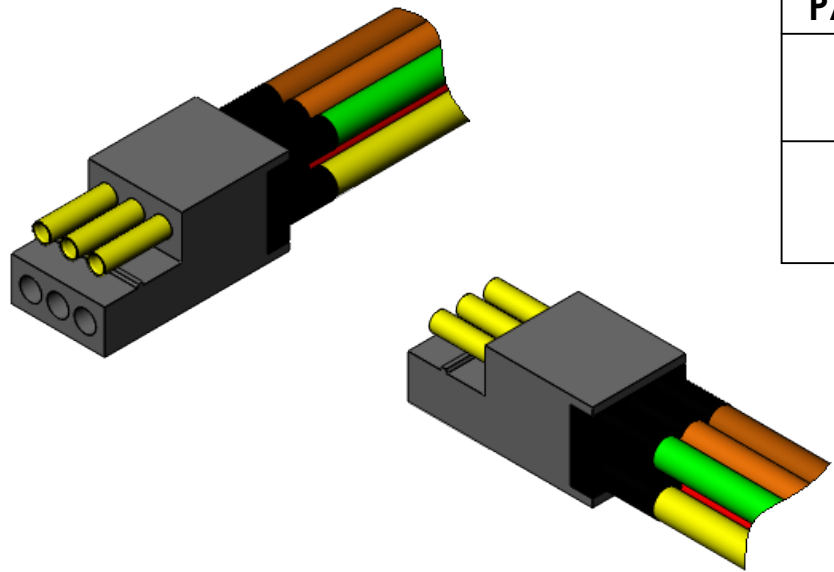


1	BLK
2	BRN
3	RED
4	ORG
5	YEL
6	GRN

D



C



PART NUMBER	A LENGTH
837067904	6.00 +0.38/-0.00 [152.4 +9.7/-0.00]
837067905	30.00 +0.38/-0.00 [762.0 +9.7/-0.00]

B

- 5. CONTACT HEIGHTS ARE TO BE PER QA-STD-101.
- 4. PERFORMANCE SPECIFICATIONS:
CURRENT RATING: 1 AMP MAX.
DWV: 250 VAC
TEMPERATURE RATING: -55°C TO 125°C

A

- 3 MATERIALS:
INSULATOR: PPS PER MIL-M-24519 GST-40F, COLOR: BLACK
PIN CONTACTS: BERYLLIUM COPPER PER ASTM B194, GOLD PLATED PER ASTM B488
SOCKET CONTACTS: C26000 COPPER ALLOY PER ASTM B36, GOLD PLATED PER ASTM B488
WIRES: 30 AWG PER NEMA-HP3-ETXBBB, COLOR CODE PER MIL-STD-681
- 2. MARKING: UMI WORK ORDER NUMBER
 BAG AND TAG WITH "UMI", UMI PART NUMBER, DATE CODE
- 1. CONNECTOR ASSEMBLY IS IAW MIL-DTL-32139 UNLESS OTHERWISE SPECIFIED.

NOTES: UNLESS OTHERWISE SPECIFIED.

QUALITY SYMBOLS CRITICAL MAJOR NO SYMBOLS = MINOR DIMENSIONS	UNLESS OTHERWISE SPECIFIED; ALL DIMENSIONS ARE IN INCHES	SCALE 10 : 1	DWG SIZE B	THIRD ANGLE PROJECTION	REVISE ON CAD ONLY	
	GENERAL TOLERANCES: 3 PLACES ±.005 2 PLACES ±.01 ANGULAR ±2°	DRAWN BY & DATE DU 12/30/19	TITLE: NANO HERMAPHRODITIC CONNECTOR ASSEMBLY, NHR-06H0-30F6-XX.XX			
	ULTI-MATE CAGE CODE 58967	CHECKED BY & DATE DW 12/30/19	MATERIAL: 		ENG PROJECT #: NONE	
		APPROVED BY & DATE DW 12/30/19	PART NO. SEE TABLE 1		DRAWING NO. SD-837067904	SHEET NO. 1 of 1
		CAD FILE NAME SD-837067904.slddrw	THIS DRAWING CONTAINS INFORMATION THAT IS PROPRIETARY TO ULTI-MATE INCORPORATED AND SHOULD NOT BE USED WITHOUT WRITTEN PERMISSION.		PART REV. -	