

10

9

8

7

6

5

4

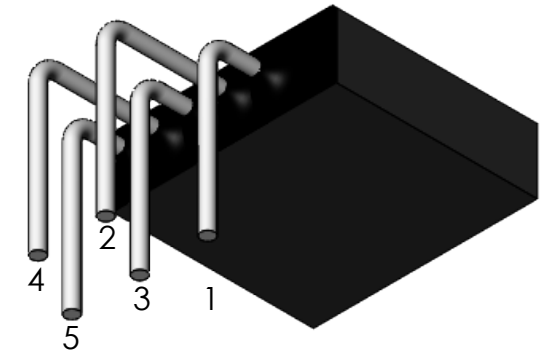
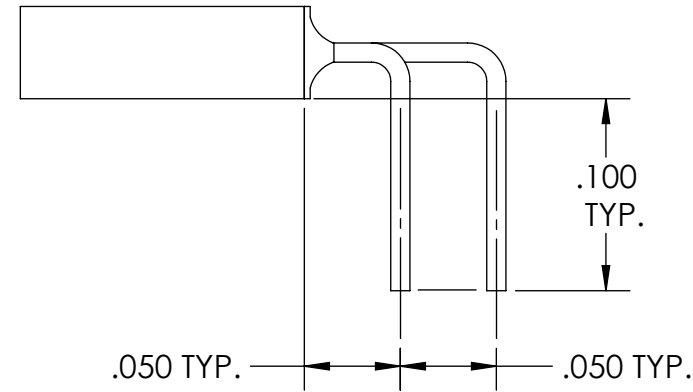
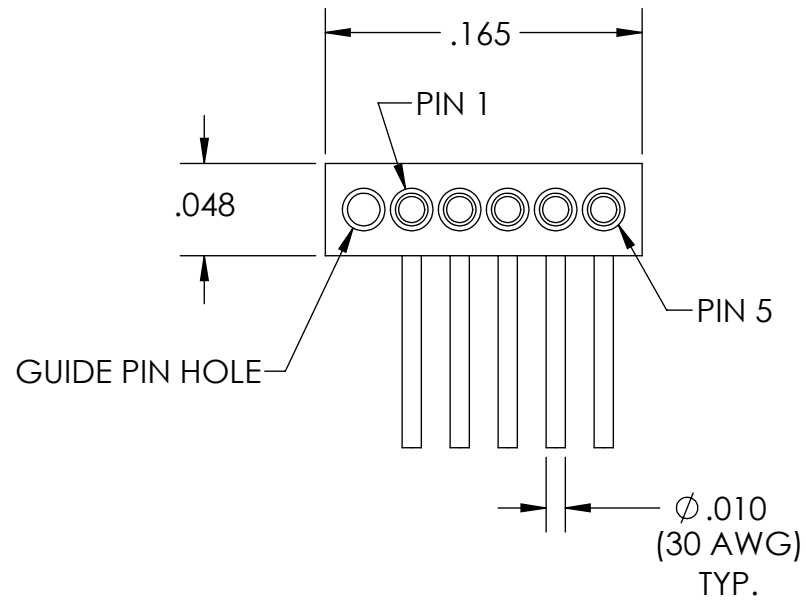
3

2

SD-837055180

PART REV	DWG ISSUE	DATE	ECN NO.	APPVD BY	REL BY
-	-	1/21/19	UMI7007	DU	DW

F



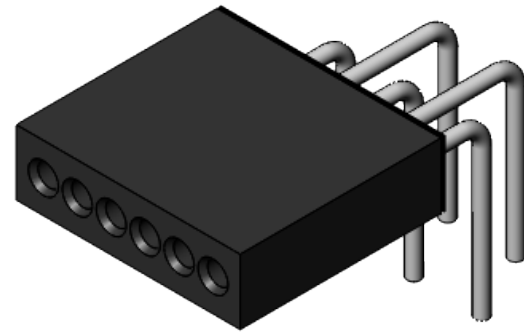
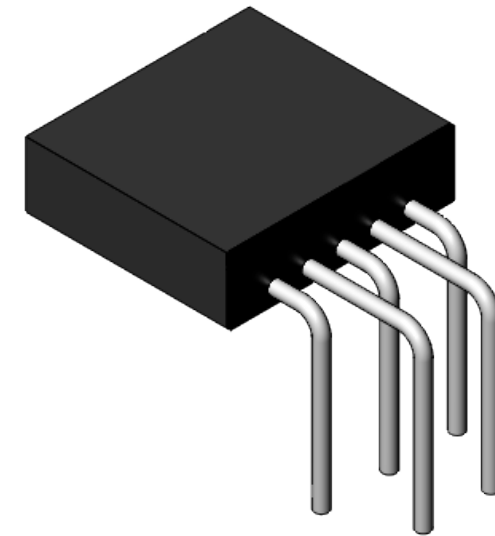
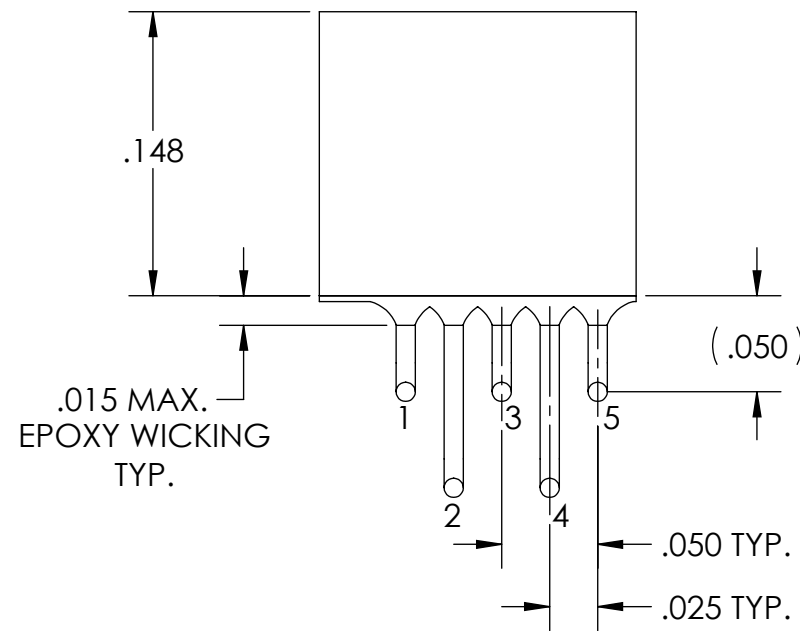
E

D

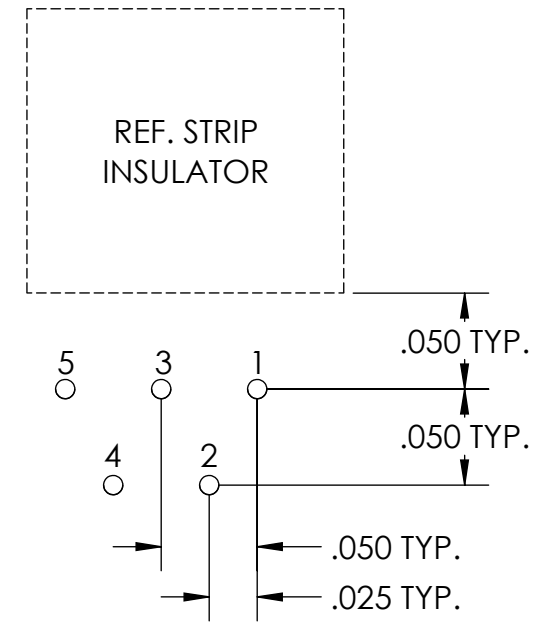
C

B

A



PCB VIEW



RECOMMENDED PCB LAYOUT

4. CONTACT HEIGHTS ARE TO BE PER QA-STD-101.

3. PERFORMANCE SPECIFICATIONS:
CURRENT RATING: 1 AMP MAX.
DWV: 250 VAC
TEMPERATURE RATING: -55°C TO 125°C

2. MATERIALS:
INSULATOR: PPS PER MIL-M-24519 GST-40F, COLOR: BLACK
PIN CONTACTS: C17200 BERYLLIUM COPPER PER ASTM B194, GOLD PLATED PER ASTM-B488
LEADS: 30 AWG TIN PLATED COPPER ALLOY PER A-A-59551, TYPE S

1. MARKING: BAG AND TAG WITH "UMI", DATE CODE, UMI PART NUMBER, UMI WORK ORDER NUMBER

NOTES: UNLESS OTHERWISE SPECIFIED.

QUALITY SYMBOLS CRITICAL MAJOR NO SYMBOLS = MINOR DIMENSIONS	UNLESS OTHERWISE SPECIFIED: ALL DIMENSIONS ARE IN INCHES	SCALE 10:1	DWG SIZE B	THIRD ANGLE PROJECTION	REVISE ON CAD ONLY	
	GENERAL TOLERANCES: 3 PLACES ±.005 2 PLACES ±.01 ANGULAR ±2°	DRAWN BY & DATE DU 1/21/19		TITLE: NANO STRIP CONNECTOR, NSR-05P1-L01		
		CHECKED BY & DATE DW 1/21/19		MATERIAL: 2	ENG PROJECT #: NONE	
		APPROVED BY & DATE DW 1/21/19		PART NO. 837055180		SHEET NO. 1 of 1
		CAD FILE NAME SD-837055180.SLDDRW		DRAWING NO. SD-837055180		PART REV. -

THIS DRAWING CONTAINS INFORMATION THAT IS PROPRIETARY TO ULTI-MATE INCORPORATED AND SHOULD NOT BE USED WITHOUT WRITTEN PERMISSION.

