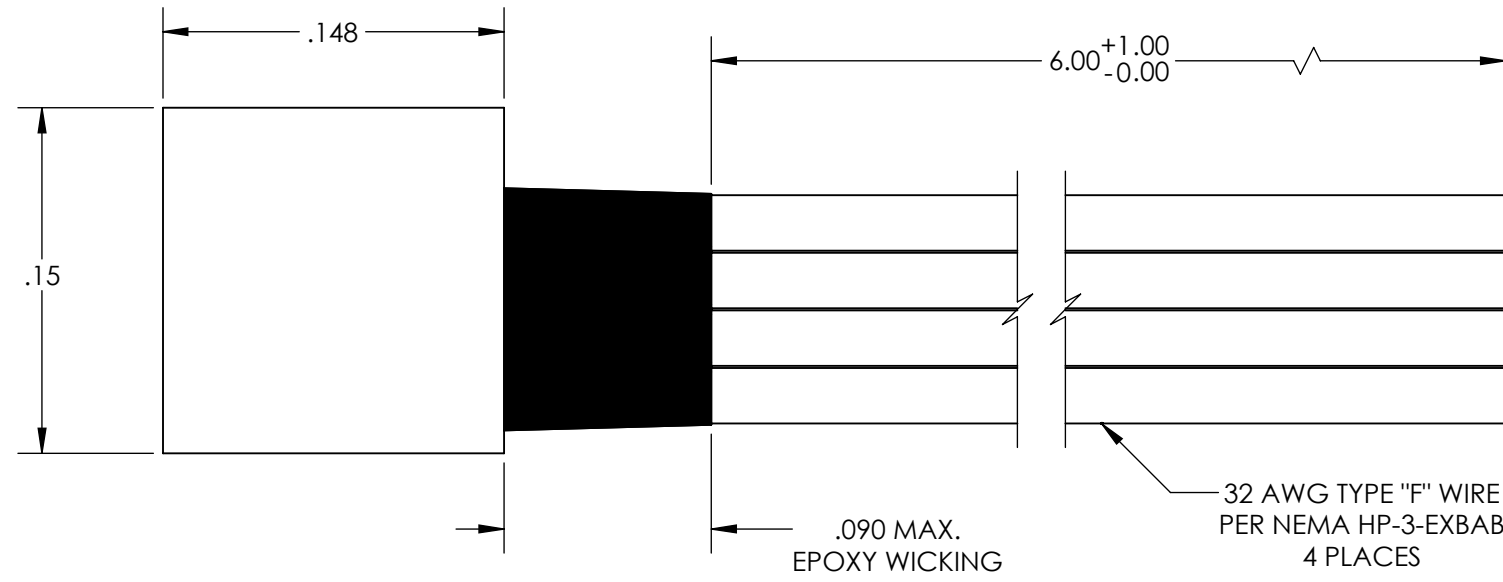
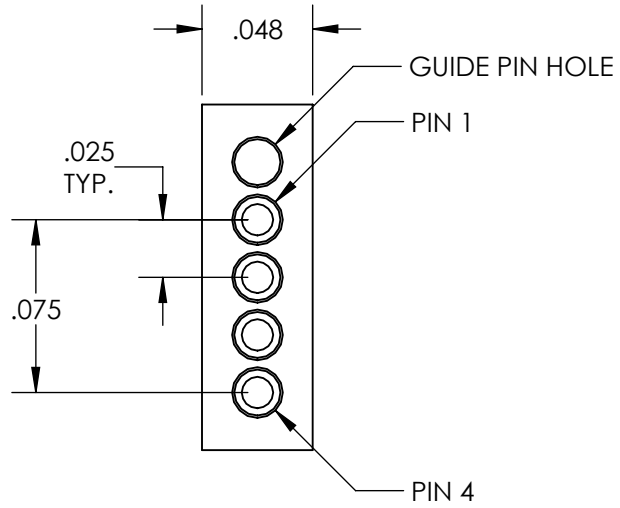


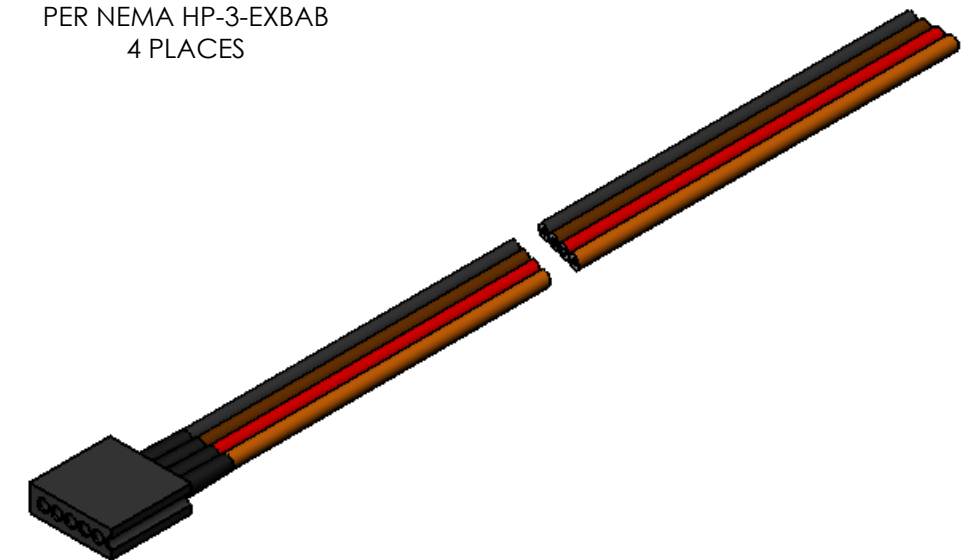
REVISIONS

PART REV.	DWG. ISSUE	DATE	ECN NO.	APPVD. BY	REL. BY
-	-	12/18/2013	UMI5185	DW	DW



COLOR CODE

1	BLK
2	BRN
3	RED
4	ORG



3. PERFORMANCE SPECIFICATIONS:
 CURRENT RATING: 1A MAX.
 INSULATION RESISTANCE: 5000 MΩ MIN. @ 100 VDC
 DWV: 250 VAC
 TEMPERATURE RATING: 125°C

2. MATERIALS:
 BODY: PPS PER MIL-M-24519 GST-40F, COLOR: BLK
 PIN CONTACTS: C17200 BERYLLIUM COPPER PER ASTM B194, GOLD PLATED PER ASTM B488

1. MARKINGS: NONE
NOTES: UNLESS OTHERWISE SPECIFIED

QUALITY SYMBOLS CRITICAL MAJOR NO SYMBOL = MINOR DIMENSION	UNLESS SPECIFIED: ALL DIMENSIONS IN INCHES GENERAL TOLERANCES: 3 PLACE ±.005 2 PLACE ±.01 ANGULAR ±2° ALL EXTERNAL SPECIFICATIONS REFERENCED ON THIS DRAWING SHALL BE THE LATEST REVISION IN EFFECT Ulti-Mate CAGE CODE 58967	SCALE 12:1 DWG SIZE B	 THIRD ANGLE PROJECTION	REVISE ON CAD ONLY		
	DRAWN BY & DATE JB 12/18/2013 CHECKED BY & DATE DW 12-18-13 APPROVED BY & DATE DW 12-18-13	TITLE NANO STRIP CONNECTOR, WIRED, PLUG, SIZE 4 NSR04P1-32F6-6.0		MATERIAL 	ENG PROJECT # E150	
	CAD FILENAME SD-837045421.slddrw	PART NO. 837045421	DRAWING NO. SD-837045421	SHEET NO. 1 OF 1	THIS DRAWING CONTAINS INFORMATION THAT IS PROPRIETARY TO ULTI-MATE INCORPORATED AND SHOULD NOT BE USED WITHOUT WRITTEN PERMISSION.	
	Ulti-Mate CAGE CODE 58967	PART REV. -				