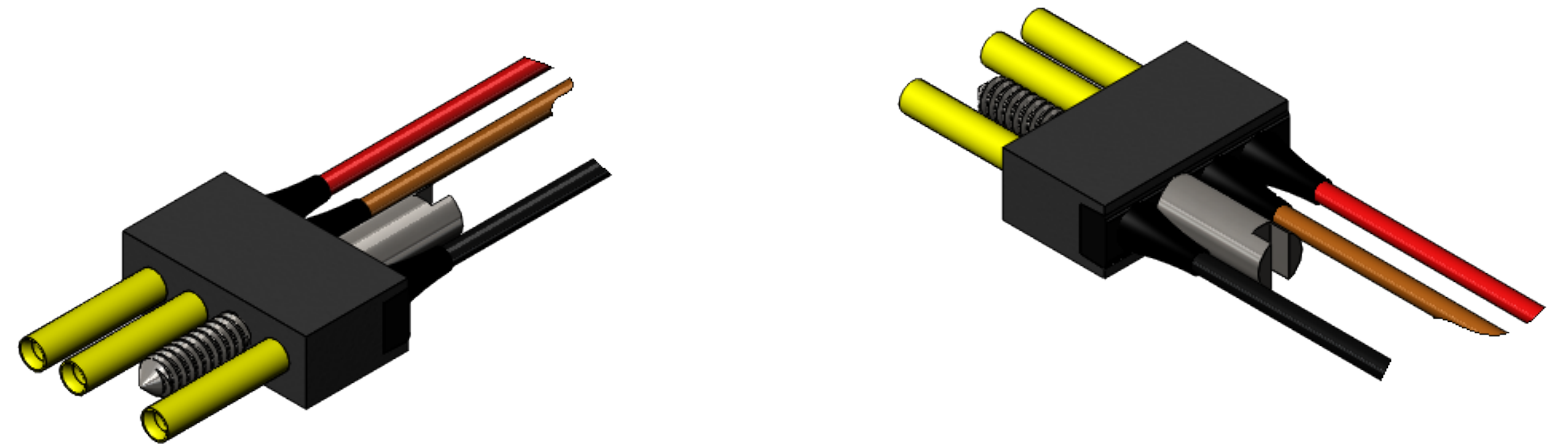
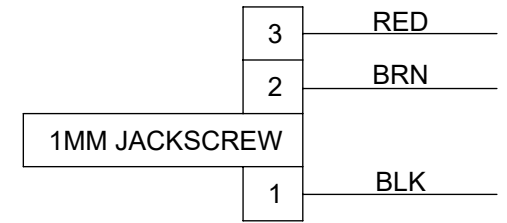
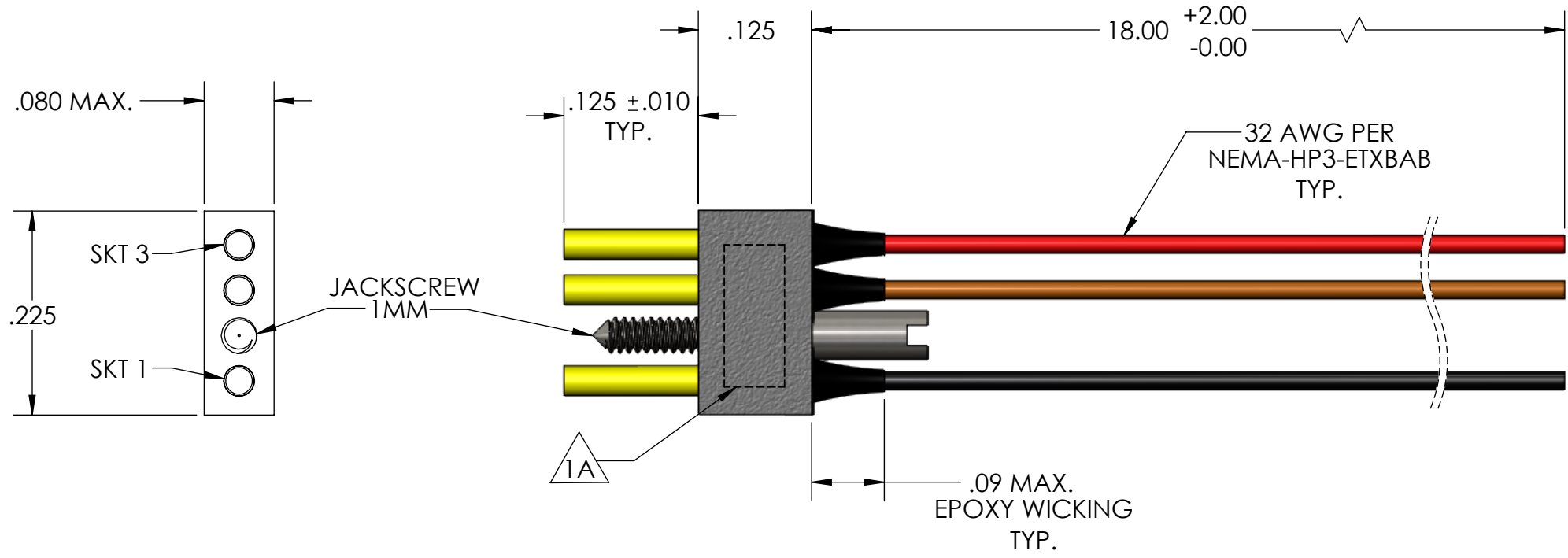


PART REV	DWG ISSUE	DATE	ECN NO.	APPVD BY	REL BY
-	-	12/24/19	UMI7343	DU	DW
A	A	2/3/2020	UMI7385	JA	DW

F  
E  
D  
C  
B  
A



4. CONTACT HEIGHTS ARE TO BE PER QA-STD-101.

3. PERFORMANCE SPECIFICATIONS:  
 CURRENT RATING: 3 AMPS MAX.  
 INSULATION RESISTANCE: 5000 MEGOHMS MIN.  
 DWV: 600 VAC  
 TEMPERATURE RATING: -55°C TO 125°C

2. MATERIALS:  
 INSULATOR: PPS PER MIL-M-24519 GST-40F, COLOR: BLACK  
 SOCKET CONTACTS: C23000 COPPER ALLOY PER ASTM B36, GOLD PLATED PER ASTM B488  
 WIRE: 32 AWG PER NEMA-HP3-ETXBAB, COLOR CODE: PER MIL-STD-681  
 1MM JACKSCREW: PASSIVATED STAINLESS STEEL, 300 SERIES

1. MARKING:  $\triangle 1A$  WORK ORDER NO.  
 $\triangle 1B$  BAG AND TAG: "UMI", UMI PART NUMBER, DATE CODE

NOTES: UNLESS OTHERWISE SPECIFIED.

QUALITY SYMBOLS CRITICAL $\triangle C$ MAJOR $\blacktriangledown$ NO SYMBOLS = MINOR DIMENSIONS	UNLESS OTHERWISE SPECIFIED: ALL DIMENSIONS ARE IN INCHES	SCALE <b>6:1</b>	DWG SIZE <b>B</b>	THIRD ANGLE PROJECTION	<b>REVISE ON CAD ONLY</b>		
	GENERAL TOLERANCES:  3 PLACES ±.005 2 PLACES ±.01 ANGULAR ±2°	DRAWN BY & DATE <b>DU 12/24/19</b>	TITLE: <b>MICRO STRIP CONNECTOR, SOCKET, CENTER JACKSCREW, SR03S3-32F5-18.0</b>				
		CHECKED BY & DATE <b>DW 12/24/19</b>	MATERIAL:	$\triangle 2$	ENG PROJECT #:	<b>NONE</b>	
		APPROVED BY & DATE <b>DW 12/24/19</b>	CAD FILE NAME <b>SD-837032913.slddrw</b>	PART NO. <b>837032913</b>	DRAWING NO. <b>SD-837032913</b>	SHEET NO. <b>1 of 1</b>	
	ULTI-MATE CAGE CODE <b>58967</b>	THIS DRAWING CONTAINS INFORMATION THAT IS PROPRIETARY TO ULTI-MATE INCORPORATED AND SHOULD NOT BE USED WITHOUT WRITTEN PERMISSION.					PART REV. -