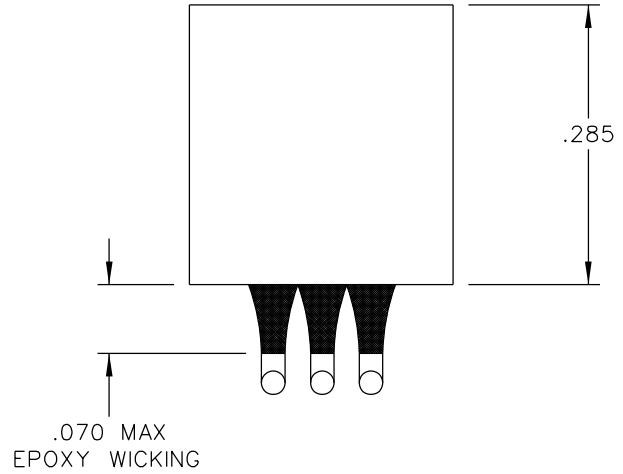
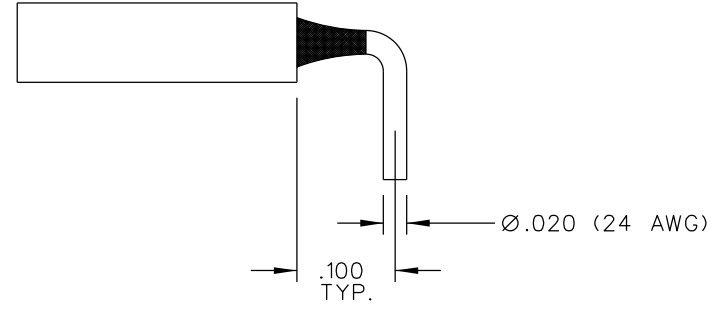
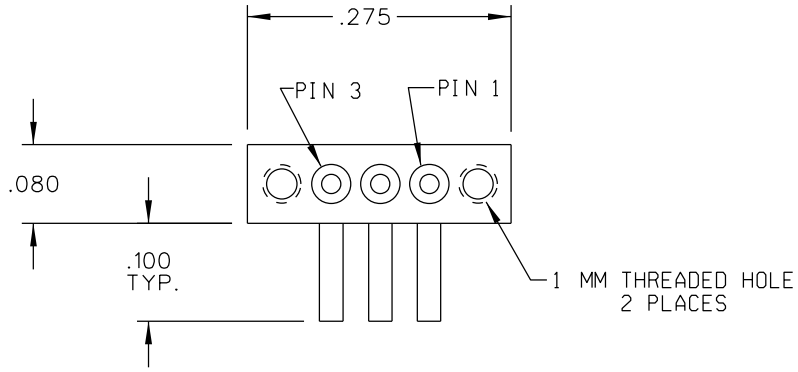


SD-837031125


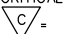
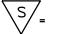



PART REV	DWG ISSUE	DATE	ECN NO.	APPVD BY	REL BY
-	-	4-5-11	UMI 4347		



SUPERSEDES SD-837031125 REV. 1

**2** MATERIALS:  
 INSULATOR/HOUSING: PPS PER MIL-M-24519 GST-40F, COLOR: BLACK  
 PIN CONTACTS: C17200 BERYLLIUM COPPER PER ASTM B194,  
 GOLD PLATED PER ASTM B488  
 24 AWG LEADS: TIN PLATED COPPER ALLOY

1. MARKING: NONE.  
 NOTES: UNLESS OTHERWISE SPECIFIED.

<b>QUALITY SYMBOLS</b> MAJOR  CRITICAL  SPC 	UNLESS SPECIFIED: ALL DIMENSIONS IN INCHES GENERAL TOLERANCES: 3 PLACE $\pm .005$ 2 PLACE $\pm .01$ ANGULAR $\pm 2^\circ$	SCALE 8:1 DWG SIZE B	THIRD ANGLE PROJECTION 	REVISE ON CAD ONLY
	DRAWN BY & DATE DW 3-31-11	CHECKED BY & DATE	TITLE: 3 POSITION MALE STRIP CONNECTOR, 2 JACKSCREWS, SR03P5-L03	
	APPROVED BY & DATE	MATERIAL: 		
	Uti-Mate CAGE CODE <b>58967</b>	CAD FILENAME SD-837031125.DGN	PART NO. 837031125	DRAWING NO. SD-837031125

THIS DRAWING CONTAINS INFORMATION THAT IS PROPRIETARY TO ULTI-MATE INCORPORATED AND SHOULD NOT BE USED WITHOUT WRITTEN PERMISSION.