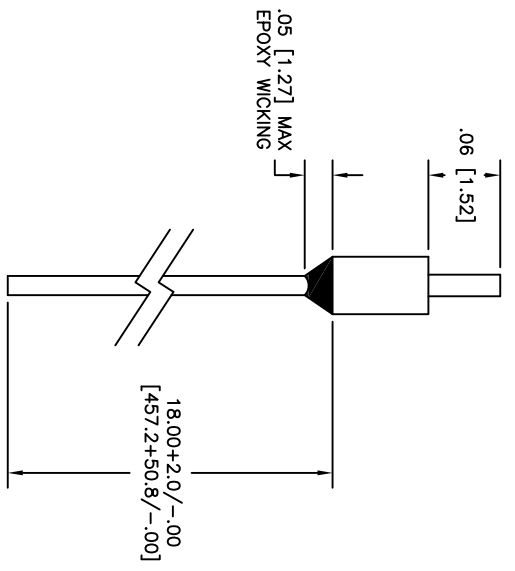
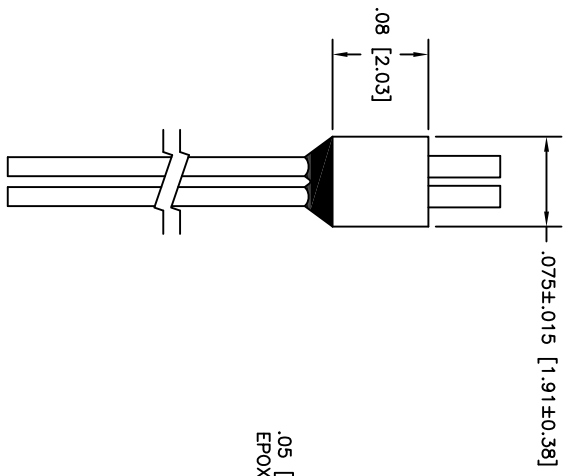
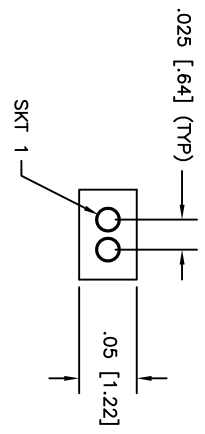


PART DWG	DATE	ECN NO.	APPROV BY	REL BY
REV ISSUE	12-28-18	UMI6987	TPOMBART	PER



3. PERFORMANCE: MEETS OR EXCEEDS M32139 PERFORMANCE SPECIFICATIONS
 CONTACT RATING: 1 AMPERE MAXIMUM
 DMV: 250 VAC
 INSULATION RESISTANCE: 5000 MEGOHMS MINIMUM @ 100 VDC
 CONTACT RESISTANCE: 0.021 VOLT MAXIMUM DROP @ 1.0 AMPS (.021 OHMS)
2. MATERIALS: INSULATOR: PPS (POLYPHENYLENE SULFIDE) GST-40F
 CONTACTS: BRASS ALLOY 735, GOLD PLATED PER ASTM B488
 LEADS: 32 AWG, NEMA HP3, TYPE ET, WHITE
1. MARKINGS: BAG OR TAG WITH UMI, UMI P/N, DATE CODE & W/O NO.
 NOTES: UNLESS OTHERWISE SPECIFIED

QUALITY SYMBOLS	UNLESS SPECIFIED, ALL DIMENSIONS IN INCHES	SCALE	DWG SIZE	THIRD ANGLE PROJECTION	REVISE ON CAD ONLY
MAJOR =	GENERAL TOLERANCES:	10:1	B		
CRITICAL =	3 PLACE ±.005	DRAWN BY & DATE	12-20-18		
C =	2 PLACE ±.010	CHECKED BY & DATE			
SPC =	ANGULAR ±2°	SEE ECN			
S =		APPROVED BY & DATE			
		SEE ECN			
		CAD FILENAME	SD-837036460.DWG	PART NO.	837026460
		UTi+MATE CASE CODE	58967	DRAWING NO.	SD-837026460
		THIS DRAWING CONTAINS INFORMATION THAT IS PROPRIETARY TO UTI-MATE			
		INDICATED AND SHOULD NOT BE USED WITHOUT WRITTEN PERMISSION			
				SHEET NO.	1 OF 1
				PART REV	