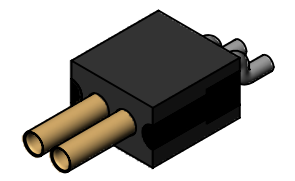
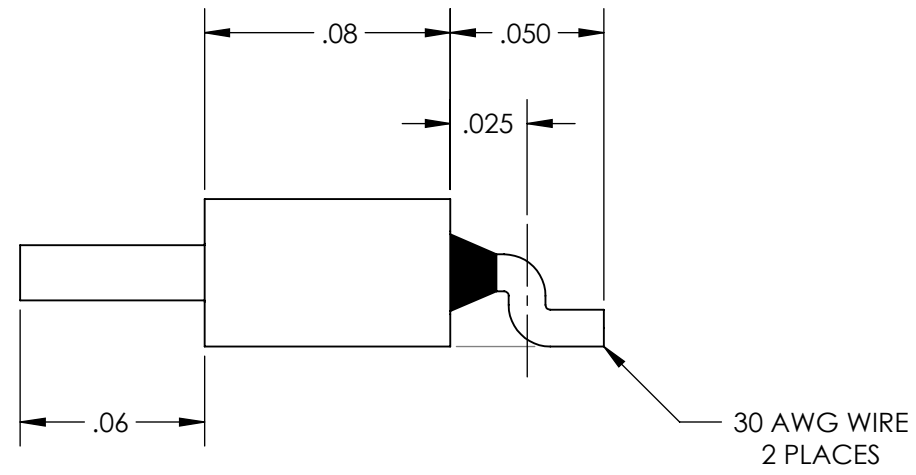
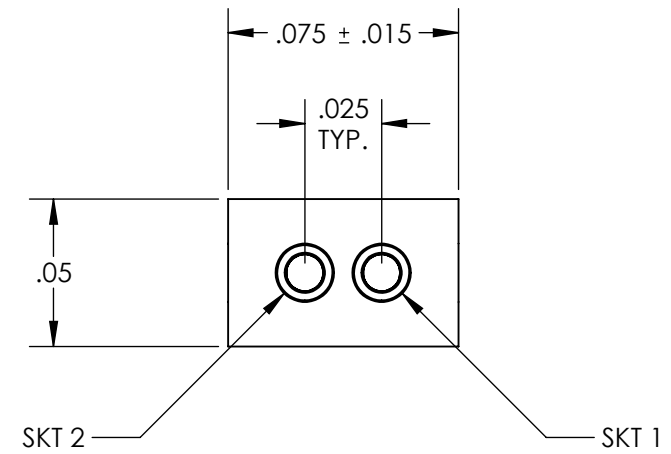
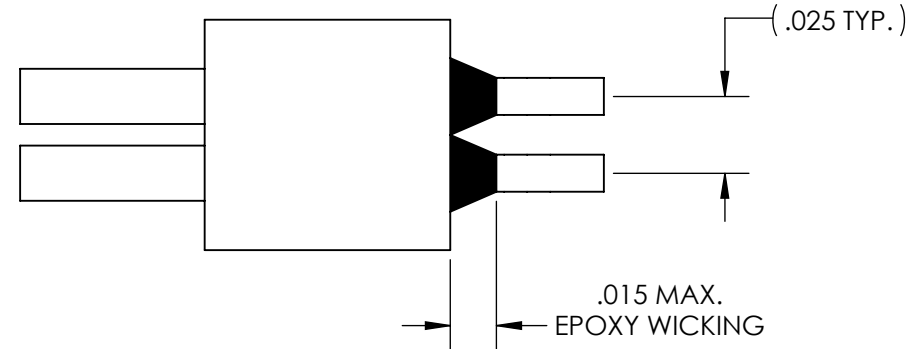


REVISIONS

PART REV.	DWG. ISSUE	DATE	ECN NO.	APPVD. BY	REL. BY
-	-	12/19/2016	UMI6169	DW	DW
-	A	01/16/2017	UMI6205	DW	DW
-	B	01/18/2017	UMI6210	DW	DW



3. PERFORMANCE SPECIFICATIONS: (AT AMBIENT TEMPERATURE)  
 CURRENT RATING: 1A MAX.  
 INSULATION RESISTANCE: 5000 MΩ MIN.  
 DWV: 250 VAC  
 TEMPERATURE RATING: 125°C

2 MATERIALS:  
 INSULATOR: PPS PER MIL-M-24519 GST-40F, COLOR: BLK  
 SOCKET CONTACTS: C21000 BRASS ALLOY PER ASTM B36, GOLD PLATED PER ASTM B488  
 30 AWG LEADS: TIN PLATED COPPER ALLOY

1 MARKINGS: BAG AND TAG WITH "UMI", DATE CODE, WORK ORDER NUMBER, AND UMI PART NUMBER  
 NOTES: UNLESS OTHERWISE SPECIFIED

QUALITY SYMBOLS CRITICAL  MAJOR  NO SYMBOL = MINOR DIMENSION	<b>UNLESS SPECIFIED:</b> ALL DIMENSIONS IN INCHES GENERAL TOLERANCES: 3 PLACE $\pm .005$ 2 PLACE $\pm .01$ ANGULAR $\pm 2^\circ$	SCALE 16:1	DWG SIZE B	THIRD ANGLE PROJECTION	<b>REVISE ON CAD ONLY</b>	
	ALL EXTERNAL SPECIFICATIONS REFERENCED ON THIS DRAWING SHALL BE THE LATEST REVISION IN EFFECT UMI-Mate CAGE CODE <b>58967</b>	DRAWN BY & DATE JB 12/19/2016	TITLE NANO STRIP CONNECTOR RECEPTACLE (SOCKETS), 2 POSITION NSR-02S0-L05		MATERIAL 	
		CHECKED BY & DATE DW 12/20/2016	APPROVED BY & DATE DW 12/20/2016		ENG PROJECT # 	
		CAD FILENAME SD-837026020.slddrw	PART NO. 837026020	DRAWING NO. SD-837026020	SHEET NO. <b>1 OF 1</b>	
		THIS DRAWING CONTAINS INFORMATION THAT IS PROPRIETARY TO ULTI-MATE INCORPORATED AND SHOULD NOT BE USED WITHOUT WRITTEN PERMISSION.				PART REV. -