

10

9

8

7

6

5

4

3

2

SD-837022510

PART REV	DWG ISSUE	DATE	ECN NO.	APPVD BY	REL BY
-	-	1/22/19	UMI7001	DU	DW
A	A	02/08/19	UMI7032	VL	DW

F

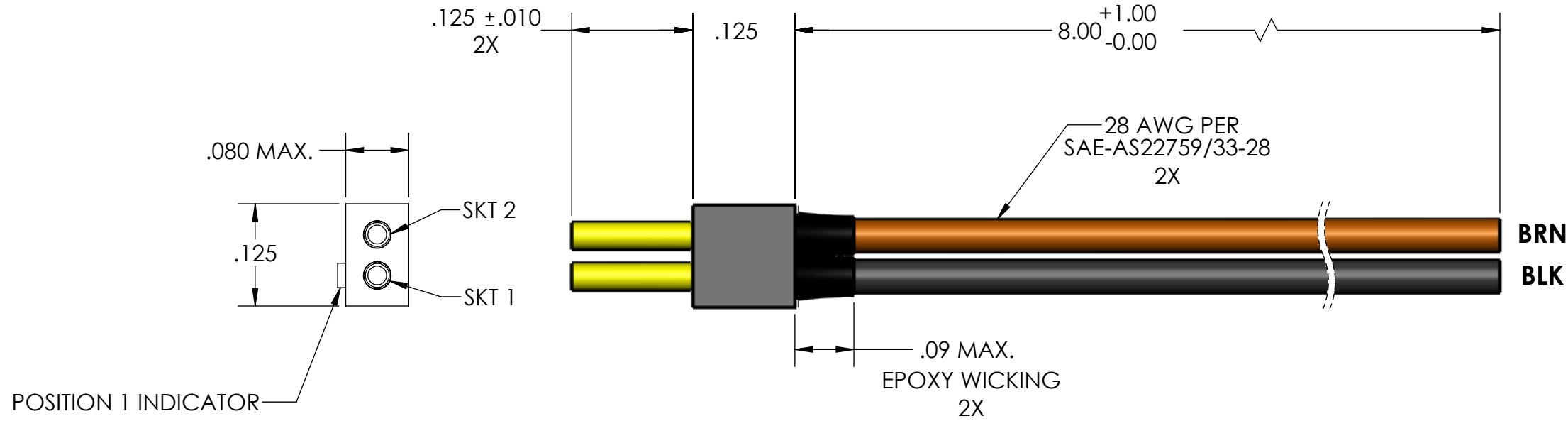
E

D

C

B

A



4. CONTACT HEIGHTS ARE TO BE PER QA-STD-101.

3. PERFORMANCE SPECIFICATIONS:  
CURRENT RATING: 3 AMP MAX.  
DWV: 600 VAC  
TEMPERATURE RATING: -55°C TO 125°C

2 MATERIALS:  
INSULATOR: PPS PER MIL-M-24519 GST-40F, COLOR: BLACK  
SOCKET CONTACTS: C21000 COPPER ALLOY PER ASTM B36, GOLD PLATED PER ASTM-B488  
28 AWG WIRES: PER SAE-AS22759/33-28, COLOR CODE: PER MIL-STD-681

1. MARKING: BAG AND TAG WITH "UMI", DATE CODE, UMI PART NUMBER, UMI WORK ORDER NUMBER

NOTES: UNLESS OTHERWISE SPECIFIED.

QUALITY SYMBOLS	UNLESS OTHERWISE SPECIFIED: ALL DIMENSIONS ARE IN INCHES	SCALE 6:1	DWG SIZE B	THIRD ANGLE PROJECTION	REVISE ON CAD ONLY
CRITICAL C	GENERAL TOLERANCES: 3 PLACES ±.005 2 PLACES ±.01 ANGULAR ±2°	DRAWN BY & DATE DU 1/22/19	TITLE: MICRO STRIP CONNECTOR, SR02S0-28Y5-8.0		
MAJOR ▲	ULTI-MATE CAGE CODE 58967	CHECKED BY & DATE SEE ECN	MATERIAL: 2	ENG PROJECT #: NONE	Uti-Mate Connector Inc.
NO SYMBOLS = MINOR DIMENSIONS		APPROVED BY & DATE SEE ECN	PART NO. 837022510	DRAWING NO. SD-837022510	SHEET NO. 1 of 1
THIS DRAWING CONTAINS INFORMATION THAT IS PROPRIETARY TO ULTI-MATE INCORPORATED AND SHOULD NOT BE USED WITHOUT WRITTEN PERMISSION.					
					PART REV. A