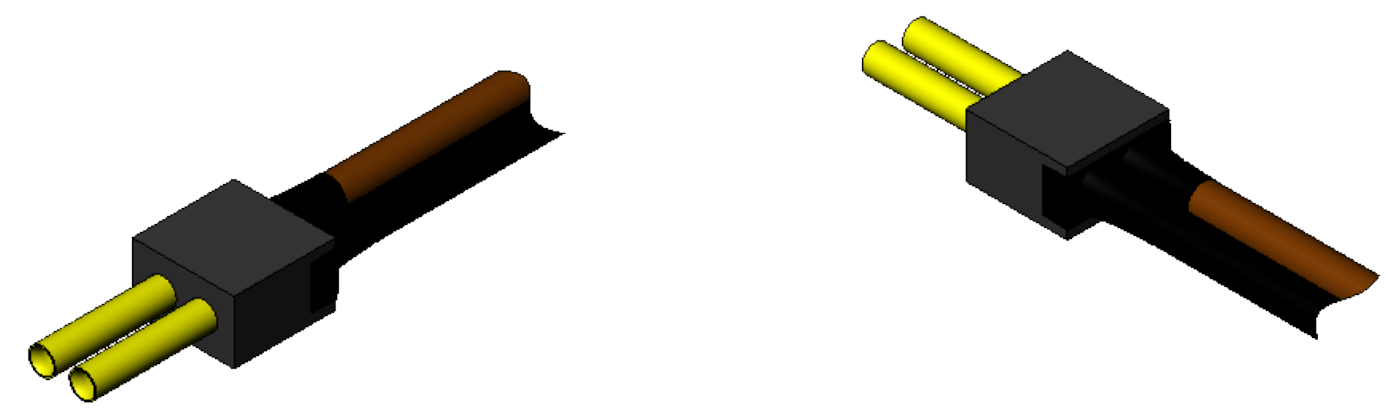
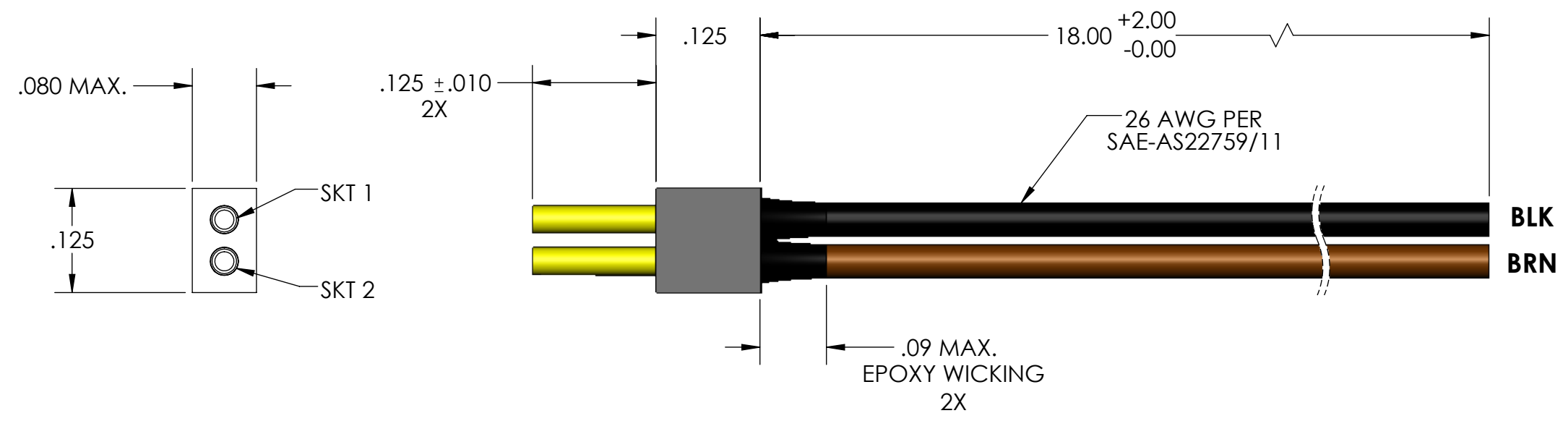


PART REV	DWG ISSUE	DATE	ECN NO.	APPVD BY	REL BY
-	-	5/8/18	UMI6763	DW	DW



- 4. CONTACT HEIGHTS ARE TO BE PER QA-STD-101.
- 3. PERFORMANCE SPECIFICATIONS:  
CURRENT RATING: 3 AMPS MAX.  
DWV: 600 VAC  
TEMPERATURE RATING: 125° C

2

MATERIALS:  
INSULATOR: PPS PER MIL-M-24519 GST-40F, COLOR: BLACK  
SOCKET CONTACTS: C21000 COPPER ALLOY PER ASTM B36, GOLD PLATED PER ASTM-B488  
WIRE: 26 AWG PER SAE-AS22759/11, COLOR CODE: PER MIL-STD-681

1. MARKING: BAG AND TAG WITH "UMI", DATE CODE, UMI P/N, UMI WORK ORDER NUMBER

**NOTES: UNLESS OTHERWISE SPECIFIED.**

QUALITY SYMBOLS CRITICAL  MAJOR  NO SYMBOLS = MINOR DIMENSIONS	UNLESS OTHERWISE SPECIFIED: ALL DIMENSIONS ARE IN INCHES	SCALE <b>6:1</b>	DWG SIZE <b>B</b>	THIRD ANGLE PROJECTION 	<b>REVISE ON CAD ONLY</b>		
	GENERAL TOLERANCES:  3 PLACES ±.005 2 PLACES ±.01 ANGULAR ±2°	DRAWN BY & DATE <b>DU 4/30/18</b>		TITLE: <b>MICRO STRIP CONNECTOR, SR02S0-26M5-18.0</b>			
		CHECKED BY & DATE <b>DW 4/30/18</b>		MATERIAL: 	ENG PROJECT #: <b>E374</b>		
		APPROVED BY & DATE <b>DW 4/30/18</b>		PART NO. <b>837022060</b>	DRAWING NO. <b>SD-837022060</b>		
	ULTI-MATE CAGE CODE <b>58967</b>	CAD FILE NAME <b>SD-837022060.SLDDRW</b>	THIS DRAWING CONTAINS INFORMATION THAT IS PROPRIETARY TO ULTI-MATE INCORPORATED AND SHOULD NOT BE USED WITHOUT WRITTEN PERMISSION.			PART REV. -	