

10

9

8

7

6

5

4

3

2

SD-837021531

PART REV	DWG ISSUE	DATE	ECN NO.	APPVD BY	REL BY
-	-	2/25/20	UMI7406	DU	DW

F

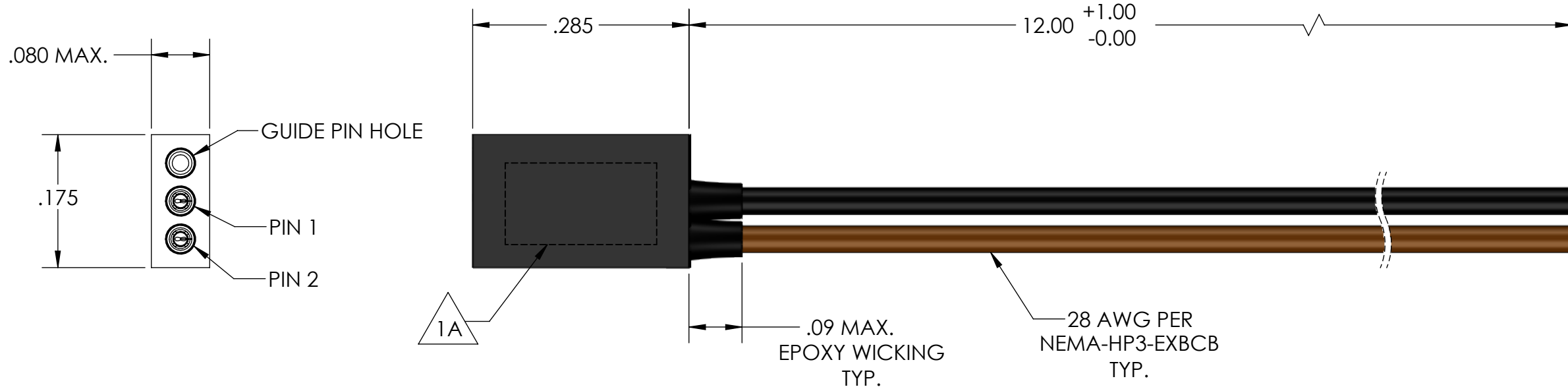
E

D

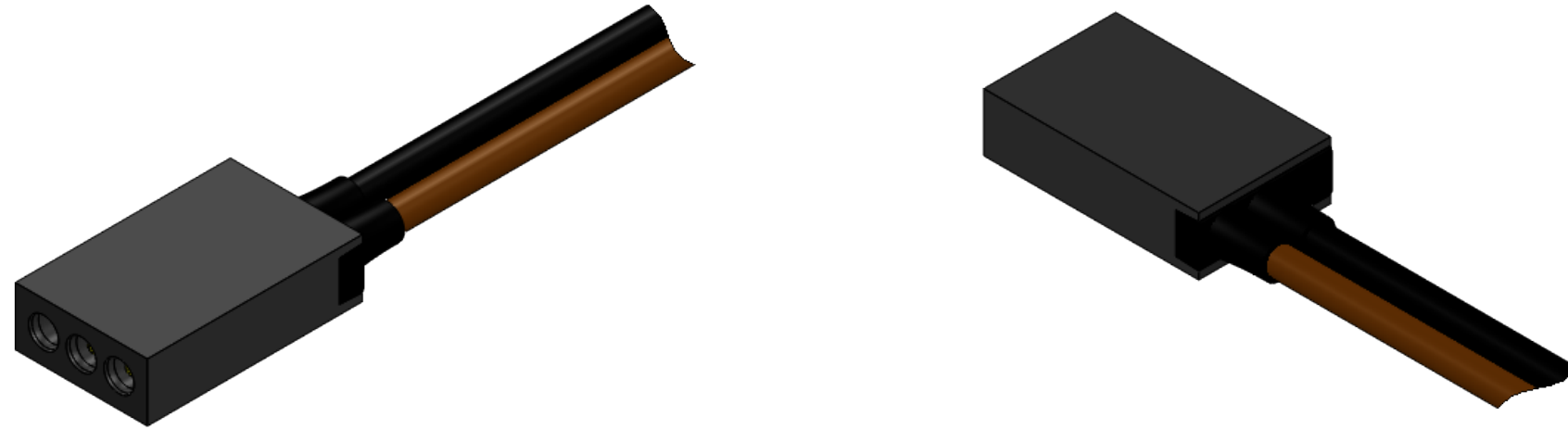
C

B

A



GUIDE PIN HOLE		
1		BLK
2		BRN



5. CONTACT HEIGHTS ARE TO BE PER QA-STD-101.

4. PERFORMANCE SPECIFICATIONS:
 CURRENT RATING: 3 AMPS MAX.
 INSULATION RESISTANCE: 5000 MEGOHMS MIN.
 DWV: 600 VAC
 TEMPERATURE RATING: -55°C TO 125°C

2 MATERIALS:
 INSULATOR: PPS PER MIL-M-24519 GST-40F, COLOR: BLACK
 PIN CONTACTS: C17200 BERYLLIUM COPPER PER ASTM B194, GOLD PLATED PER ASTM B488
 WIRES: 28 AWG PER NEMA-HP3-EXBCB, COLOR CODE PER MIL-STD-681

1. MARKING: 1A DATE CODE

1B BAG AND TAG: "UMI", UMI PART NUMBER, UMI WORK ORDER NUMBER

NOTES: UNLESS OTHERWISE SPECIFIED.

QUALITY SYMBOLS CRITICAL C MAJOR NO SYMBOLS = MINOR DIMENSIONS	UNLESS OTHERWISE SPECIFIED; ALL DIMENSIONS ARE IN INCHES	SCALE 6:1	DWG SIZE B	THIRD ANGLE PROJECTION	REVISE ON CAD ONLY	
	GENERAL TOLERANCES: 3 PLACES ±.005 2 PLACES ±.01 ANGULAR ±2°	DRAWN BY & DATE DU 2/25/20		TITLE: MICRO STRIP CONNECTOR, SR02P1-28E5-12.0		
		CHECKED BY & DATE DW 2/25/20		MATERIAL: 2	ENG PROJECT #: NONE	
		APPROVED BY & DATE DW 2/25/20		PART NO. 837021531		DRAWING NO. SD-837021531
	ULTI-MATE CAGE CODE 58967		CAD FILE NAME SD-837021531.slddrw	SHEET NO. 1 of 1		PART REV. -
THIS DRAWING CONTAINS INFORMATION THAT IS PROPRIETARY TO ULTI-MATE INCORPORATED AND SHOULD NOT BE USED WITHOUT WRITTEN PERMISSION.						

