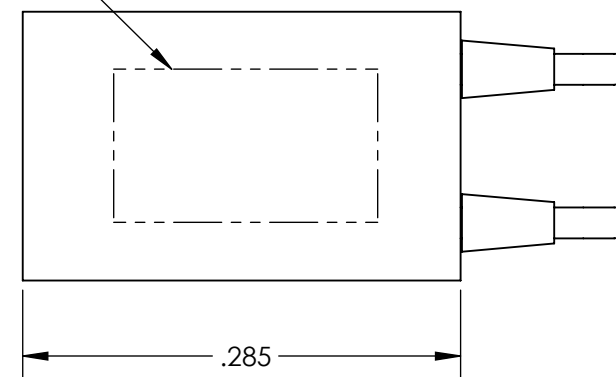
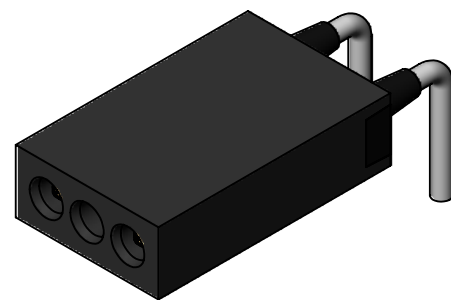
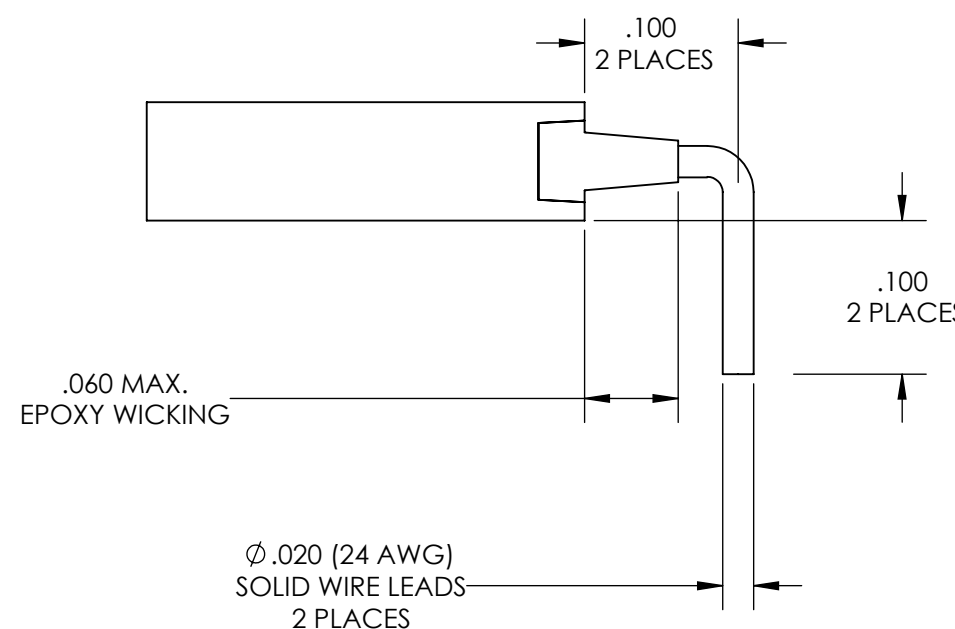
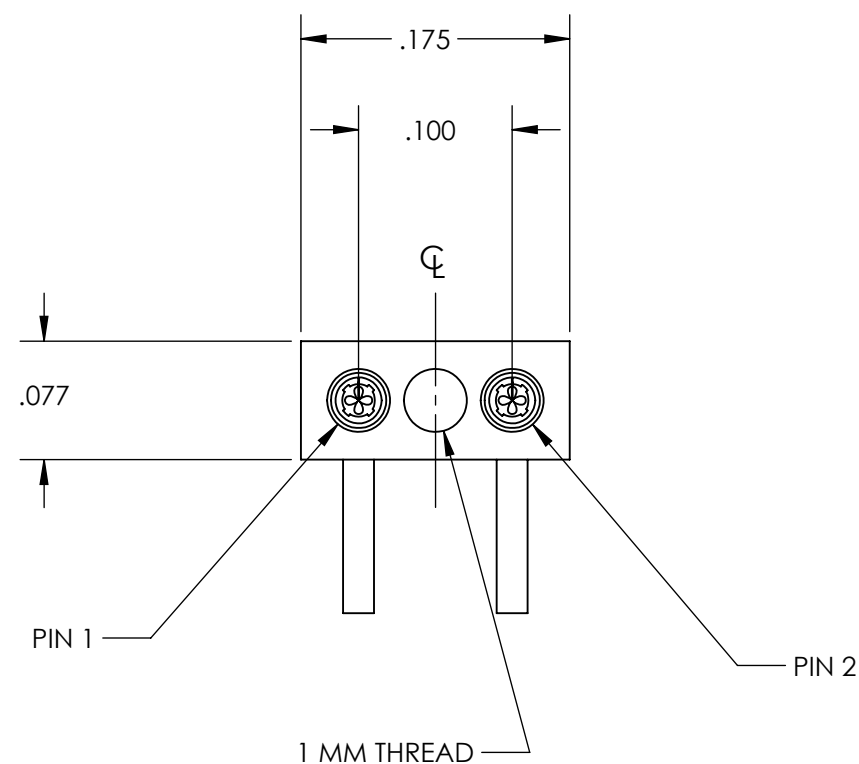
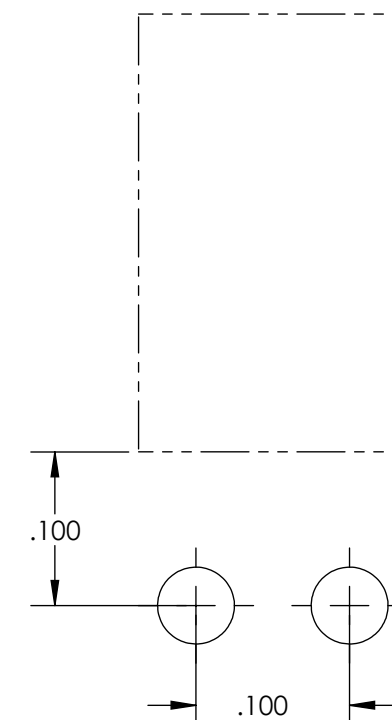


REVISIONS

PART REV.	DWG. ISSUE	DATE	ECN NO.	APPVD. BY	REL. BY
-	-	04/26/2018	UMI6744	DW	DW



**PCB LAYOUT**



4. CONNECTOR IS RoHS COMPLIANT.

3. PERFORMANCE SPECIFICATIONS:  
 CURRENT RATING: 3A MAX.  
 INSULATION RESISTANCE: 5000 MΩ MIN.  
 DWV: 600 VAC  
 TEMPERATURE RATING: 125°C

2 MATERIALS:  
 INSULATOR: PPS PER MIL-M-24519 GST-40F, COLOR: BLK  
 PIN CONTACTS: C17200 BERYLLIUM COPPER PER ASTM B194, GOLD PLATED PER ASTM B488  
 24 AWG LEADS: TIN PLATED COPPER ALLOY PER A-A-59551, TYPE S

1 MARKINGS: DATE CODE ONLY; BAG AND TAG WITH UMI, UMI P/N AND UMI W/O NO..

NOTES: UNLESS OTHERWISE SPECIFIED

QUALITY SYMBOLS CRITICAL  MAJOR  NO SYMBOL = MINOR DIMENSION	<b>UNLESS SPECIFIED:</b> ALL DIMENSIONS IN INCHES	SCALE <b>8:1</b>	DWG SIZE <b>B</b>	 THIRD ANGLE PROJECTION	<b>REVISE ON CAD ONLY</b>	
	GENERAL TOLERANCES: 3 PLACE ±.005 2 PLACE ±.01 ANGULAR ±2°	DRAWN BY & DATE DR 04/18/2018	TITLE MICRO-D STRIP CONNECTOR .050 INLINE SR02P3-L03		MATERIAL 	
	ALL EXTERNAL SPECIFICATIONS REFERENCED ON THIS DRAWING SHALL BE THE LATEST REVISION IN EFFECT	CHECKED BY & DATE DW 04/18/2018	APPROVED BY & DATE DW 04/18/2018		ENG PROJECT #	
	Ulti-Mate CAGE CODE <b>58967</b>	CAD FILENAME SD-837021123.SLDDRW	PART NO. 837021123	DRAWING NO. SD-837021123	SHEET NO. <b>1 OF 1</b>	
	THIS DRAWING CONTAINS INFORMATION THAT IS PROPRIETARY TO ULTI-MATE INCORPORATED AND SHOULD NOT BE USED WITHOUT WRITTEN PERMISSION.				PART REV. -	

