

10

9

8

7

6

5

4

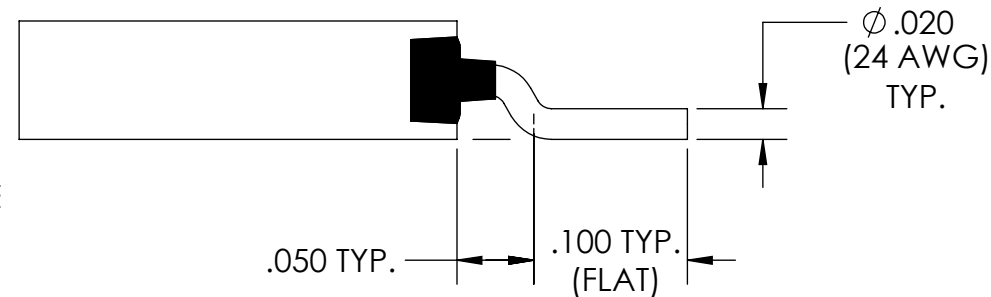
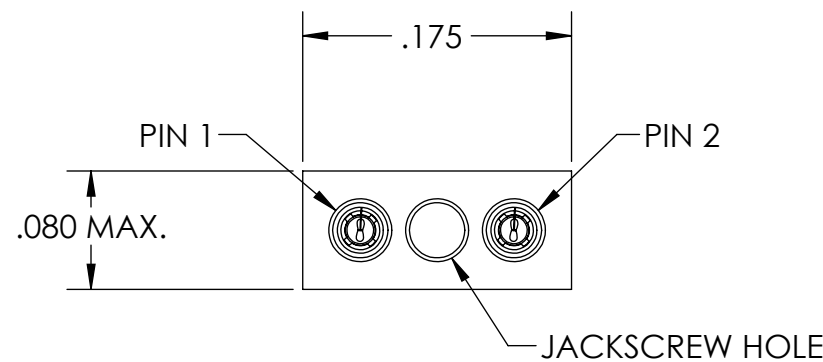
3

2

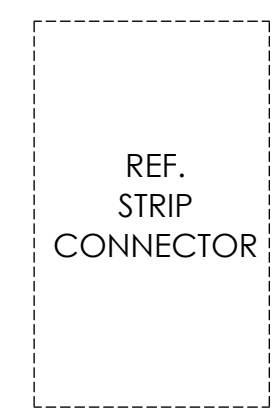
SD-837021023

PART REV	DWG ISSUE	DATE	ECN NO.	APPVD BY	REL BY
-	-	3/2/21	UMI7686	DU	DW

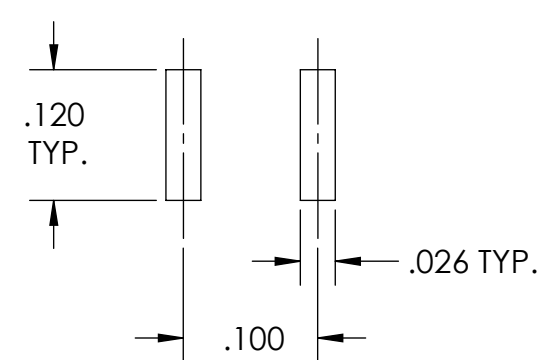
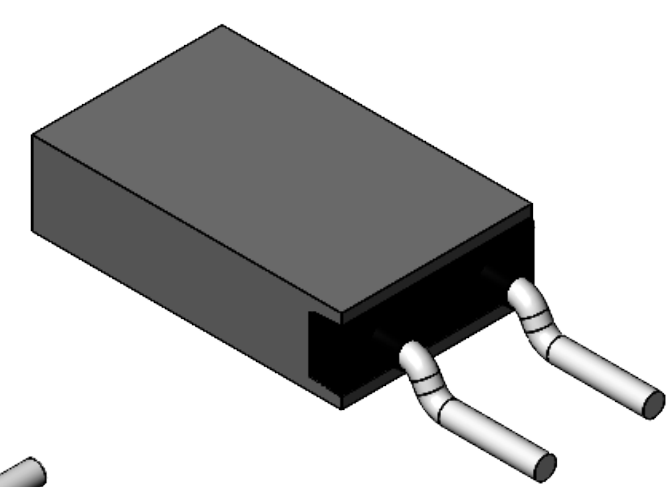
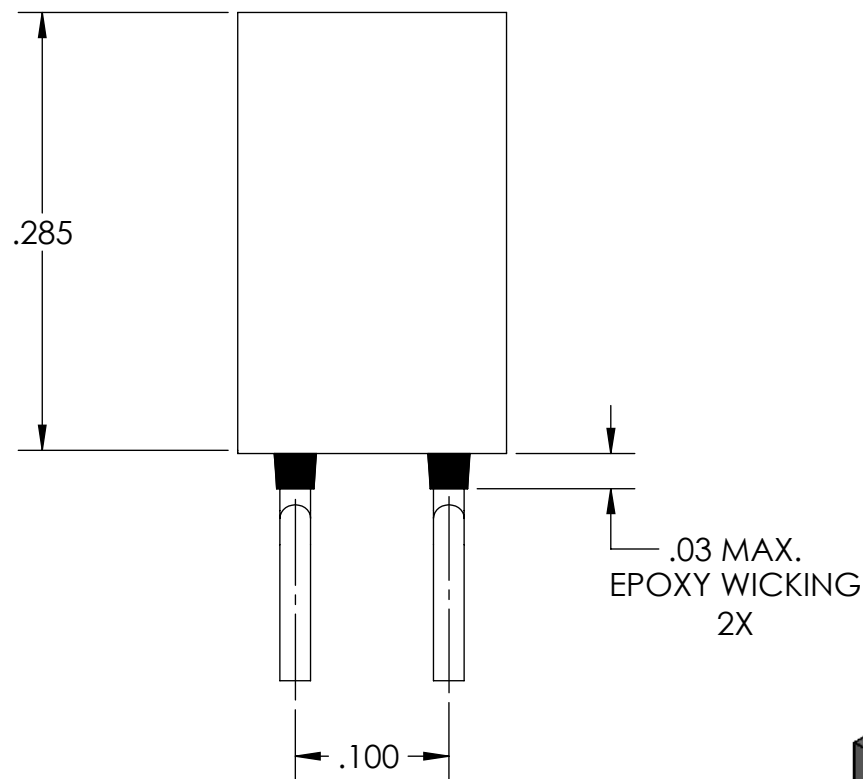
F



E

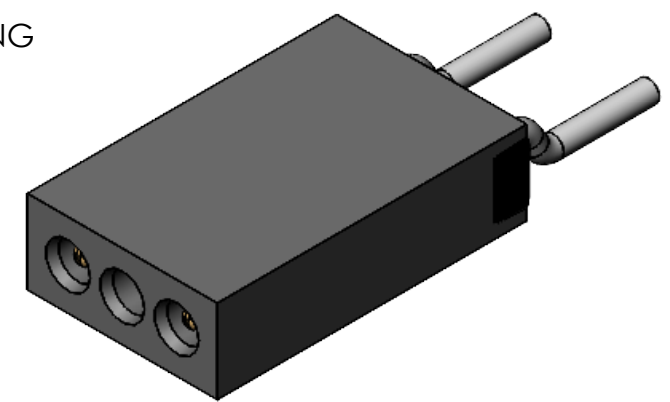


D



C

**RECOMMENDED PCB LAYOUT**



B

5. CONTACT HEIGHTS ARE TO BE PER QA-STD-101.

4. PERFORMANCE SPECIFICATIONS:  
 CURRENT RATING: 3 AMPS MAX.  
 INSULATION RESISTANCE: 5000 MEGOHMS MIN.  
 DWV: 600 VAC  
 TEMPERATURE RATING: -55°C TO 125°C

2 MATERIALS:  
 INSULATOR: PPS PER MIL-M-24519 GST-40F, COLOR: BLACK  
 PIN CONTACTS: C17200 BERYLLIUM COPPER PER ASTM B194, GOLD PLATED PER ASTM B488  
 24 AWG LEADS: TIN PLATED COPPER ALLOY PER A-A-59551, TYPE S

A

1. MARKING: BAG AND TAG WITH "UMI", UMI PART NUMBER, DATE CODE, AND WORK ORDER NUMBER (WORK ORDER NUMBER CAN BE MARKED ON INSULATOR AS SPACE PERMITS)

NOTES: UNLESS OTHERWISE SPECIFIED.

QUALITY SYMBOLS CRITICAL C MAJOR NO SYMBOLS = MINOR DIMENSIONS	UNLESS OTHERWISE SPECIFIED; ALL DIMENSIONS ARE IN INCHES	SCALE 8:1	DWG SIZE B	THIRD ANGLE PROJECTION	REVISE ON CAD ONLY		
	GENERAL TOLERANCES:  3 PLACES ±.005 2 PLACES ±.01 ANGULAR ±2°	DRAWN BY & DATE <b>DU 3/2/21</b>		TITLE: <b>MICRO STRIP CONNECTOR, SR02P3-L05, CENTER JACKSCREW HOLE</b>			
		CHECKED BY & DATE <b>DW 3/2/21</b>		MATERIAL: 2	ENG PROJECT #: <b>NONE</b>		
		APPROVED BY & DATE <b>DW 3/2/21</b>		PART NO. <b>837021023</b>	DRAWING NO. <b>SD-837021023</b>		
	ULTI-MATE CAGE CODE <b>58967</b>	CAD FILE NAME <b>SD-837021023.slddrw</b>		THIS DRAWING CONTAINS INFORMATION THAT IS PROPRIETARY TO ULTI-MATE INCORPORATED AND SHOULD NOT BE USED WITHOUT WRITTEN PERMISSION.			