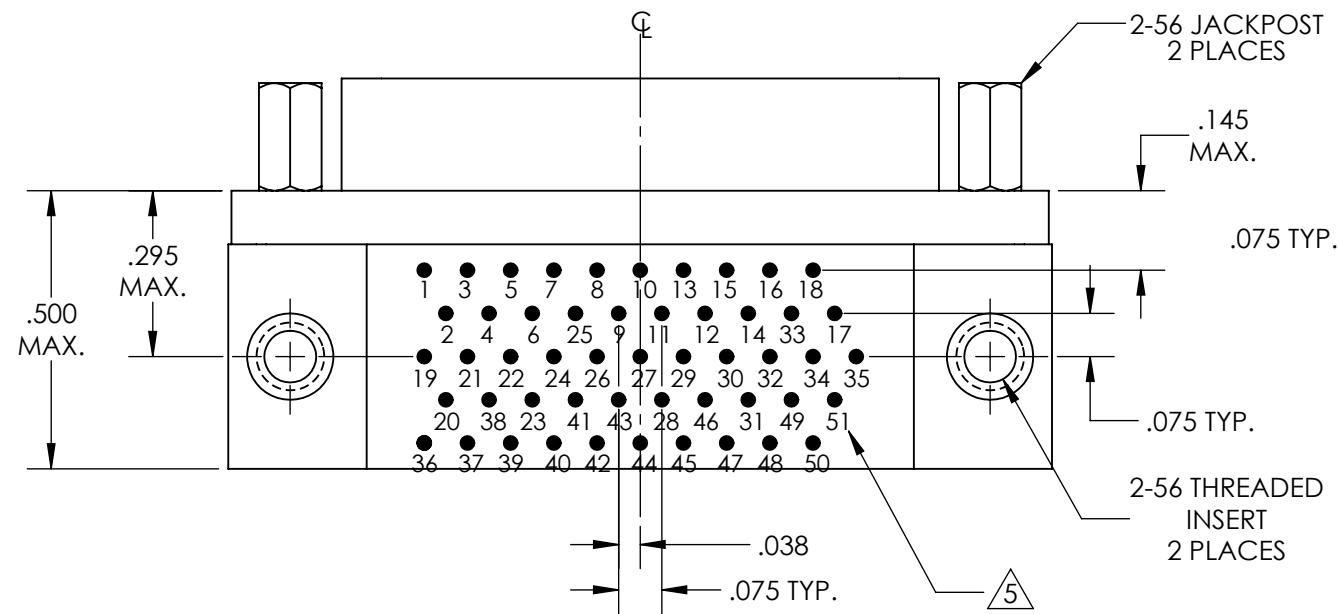
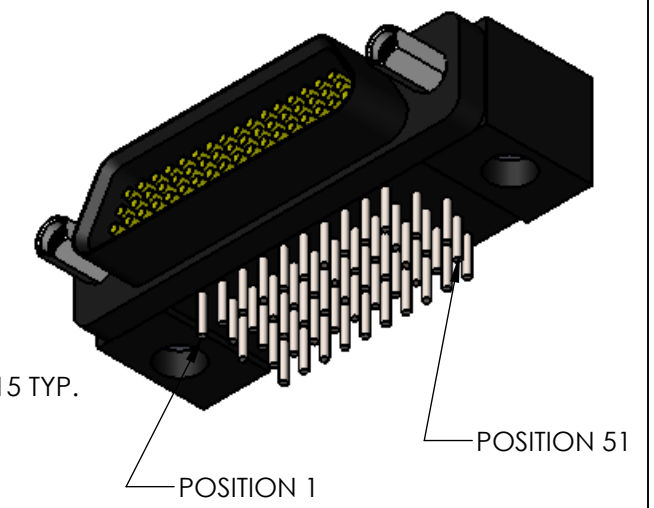
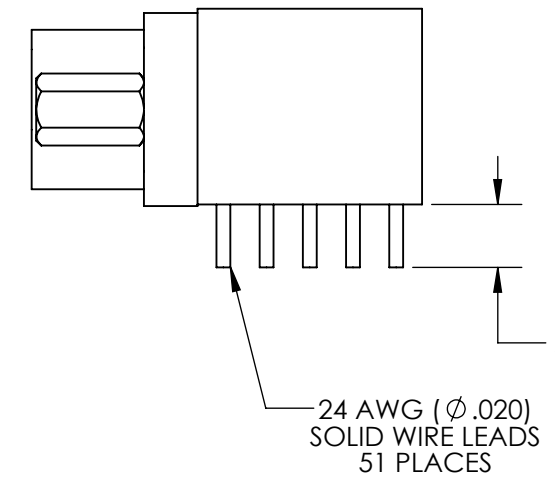
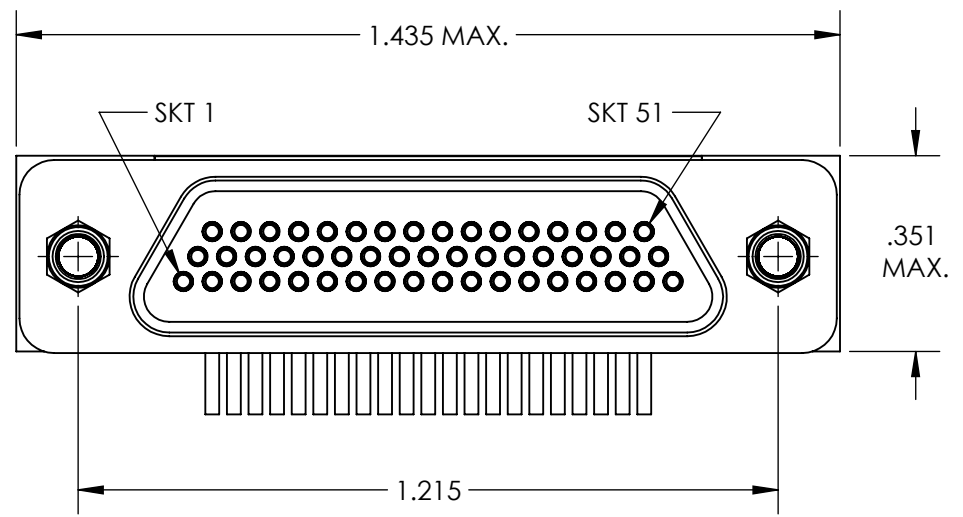
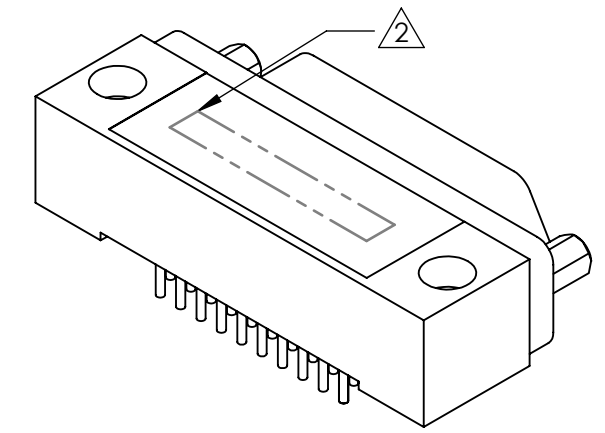
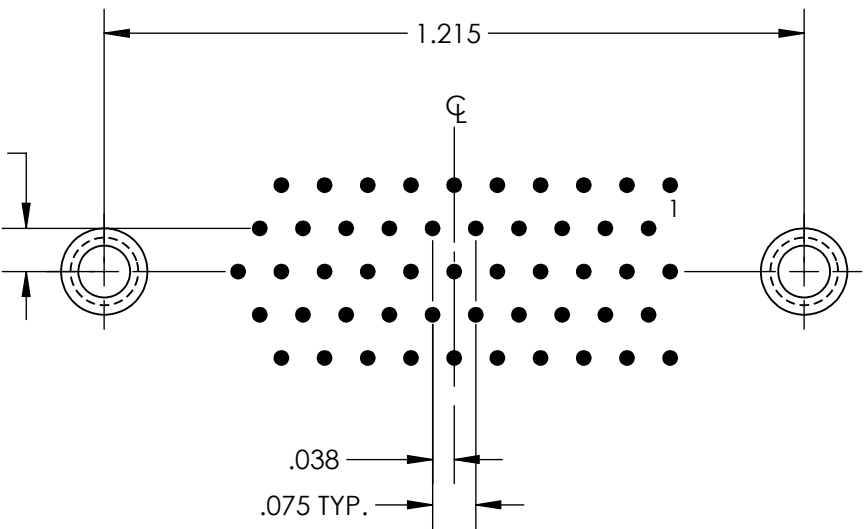


REVISIONS

DWG. ISSUE	PART REV.	DATE	ECN NO.	APPVD BY	REL BY
-	-	06/24/2013	UMI5004		



RECOMMENDED PCB LAYOUT



5 NUMBERS ARE FOR REFERENCE ONLY AND DO NOT APPEAR ON PART

4. PERFORMANCE SPECIFICATIONS:  
 CURRENT RATING: 3A MAX.  
 INSULATION RESISTANCE: 5000 MΩ MIN.  
 DWV: 600 VAC  
 TEMPERATURE RATING: 125°C  
 CONTACT RESISTANCE: 8 mΩ MAX AT 2.5 AMPS

3 MATERIALS:  
 BODY/INSULATOR AND BACKSHELL: PPS PER MIL-M-24519 GST-40F, COLOR: BLK  
 SOCKET CONTACTS: C21000 BRASS ALLOY PER ASTM B36, GOLD PLATED PER ASTM B488  
 24 AWG LEADS: TIN PLATED COPPER ALLOY PER A-A-59551 TYPE S  
 HARDWARE: PASSIVATED STAINLESS STEEL IAW MIL-DTL-83513/5

2 MARKINGS: UMI, UMI PART NO., AND DATE CODE  
 1. CONNECTOR ASSEMBLY IS IAW MIL-DTL-83513 UNLESS OTHERWISE SPECIFIED

NOTES: UNLESS OTHERWISE SPECIFIED

QUALITY SYMBOLS CRITICAL  MAJOR  NO SYMBOL = MINOR DIMENSION	<b>UNLESS SPECIFIED:</b> ALL DIMENSIONS IN INCHES  GENERAL TOLERANCES: 3 PLACE ±.002 2 PLACE ±.005 ANGULAR ±2°  Ulti-Mate CAGE CODE <b>58967</b>	SCALE 3:1	DWG SIZE B	THIRD ANGLE PROJECTION	<b>REVISE ON CAD ONLY</b>			
		DRAWN BY & DATE JB 06/24/2013			TITLE MICRO-D CIRCUIT CONNECTOR, RECEPTACLE, STYLE 8, SIZE 51-3 CB8R51-3S07			
		CHECKED BY & DATE		MATERIAL				
		APPROVED BY & DATE		CAD FILENAME SD-836878817.slddrw	PART NO. 836878817	DRAWING NO. SD-836878817		
		THIS DRAWING CONTAINS INFORMATION THAT IS PROPRIETARY TO ULTI-MATE INCORPORATED AND SHOULD NOT BE USED WITHOUT WRITTEN PERMISSION.			PART REV. -			