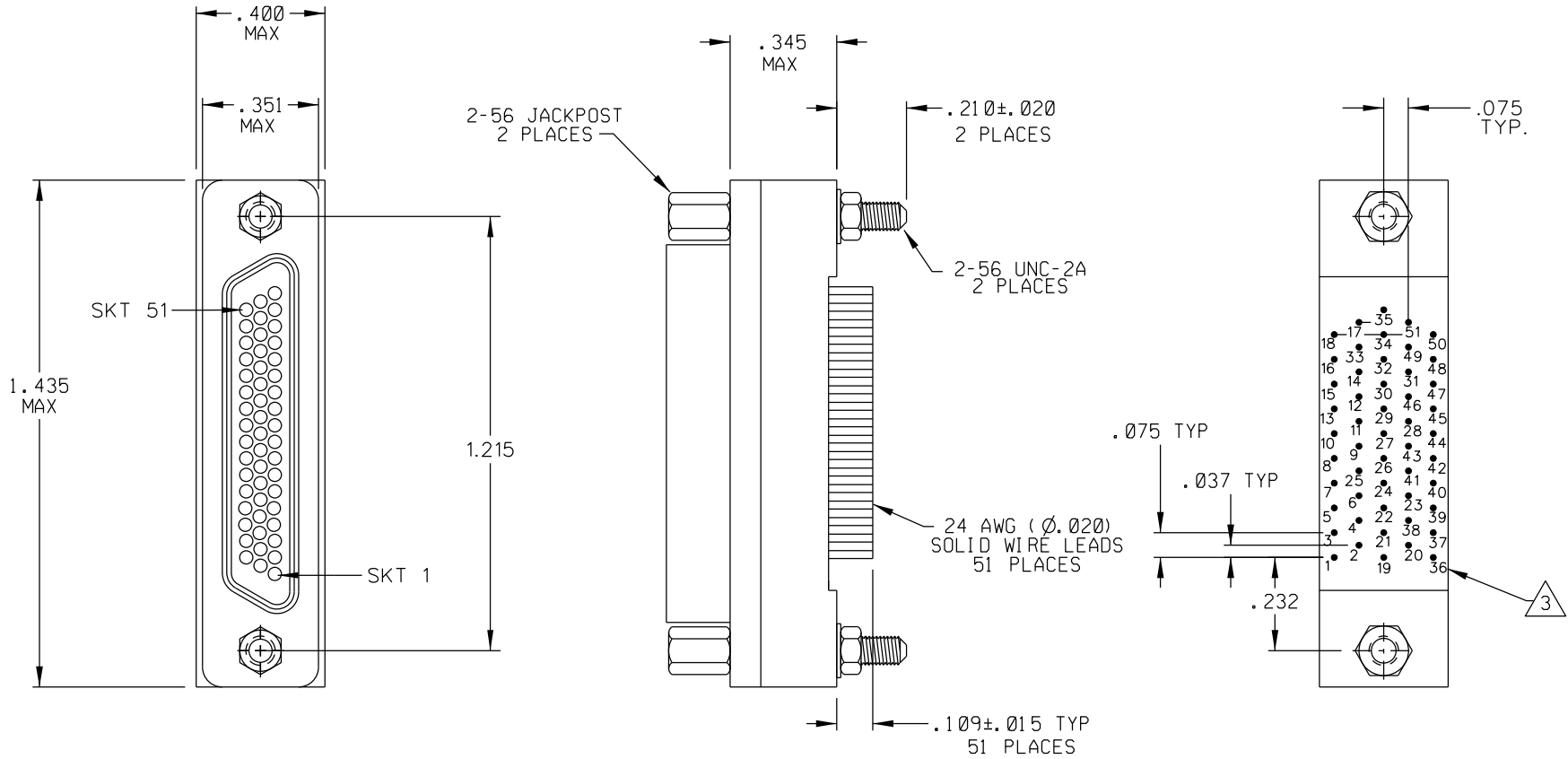


PART REV	DWG ISSUE	DATE	ECN NO.	APPVD BY	REL BY
-	-	8/23/13	UMI5077		



- 3 NUMBERS ON BACKSHELL ARE SHOWN FOR REFERENCE ONLY AND DO NOT APPEAR ON PART
- 2 MATERIALS:
 SHELL, INSULATOR AND BACKSHELL: PPS PER MIL-M-24519 GST-40F
 SOCKET CONTACTS: COPPER ALLOY CDA 210 1/2 HARD GOLD PLATED PER MIL-G-45204
 24 AWG SOLID WIRE LEADS: TIN PLATED COPPER ALLOY
 HARDWARE: STAINLESS STEEL, PASSIVATED PER QQ-P-35

1. MARKING: UMI, DATE CODE, UMI P/N.
 NOTES: UNLESS OTHERWISE SPECIFIED.

QUALITY SYMBOLS CRITICAL ∇ C/2 MAJOR \blacktriangledown NO SYMBOL = MINOR DIMENSION	UNLESS SPECIFIED: ALL DIMENSIONS IN INCHES GENERAL TOLERANCES: 3 PLACE $\pm .002$ 2 PLACE $\pm .005$ ANGULAR $\pm 2^\circ$	SCALE 3 : 1 DWG SIZE B	THIRD ANGLE PROJECTION	REVISE ON CAD ONLY		
	ALL EXTERNAL SPECIFICATIONS REFERENCED ON THIS DRAWING SHALL BE TO THE LATEST REVISION IN EFFECT Ulti-Mate CAGE CODE 58967	DRAWN BY & DATE D.URBACH 8/23/13 CHECKED BY & DATE APPROVED BY & DATE	TITLE: CIRCUIT CONNECTOR, CB6R51-3S07		MATERIAL: 2 Ulti-Mate Connector Inc.	
	CAD FILENAME SD-83687861.7.DGN	PART NO. 836878617	DRAWING NO. SD-836878617	SHEET NO. 1 OF 1	THIS DRAWING CONTAINS INFORMATION THAT IS PROPRIETARY TO ULTI-MATE INCORPORATED AND SHOULD NOT BE USED WITHOUT WRITTEN PERMISSION.	
	PART REV -					