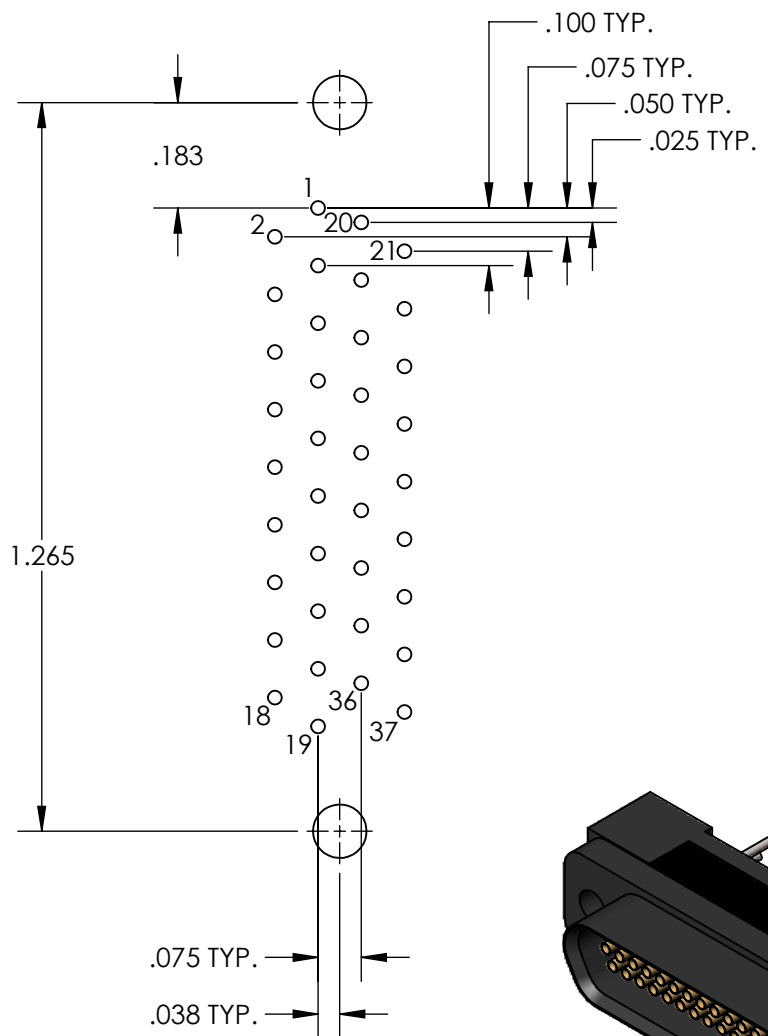
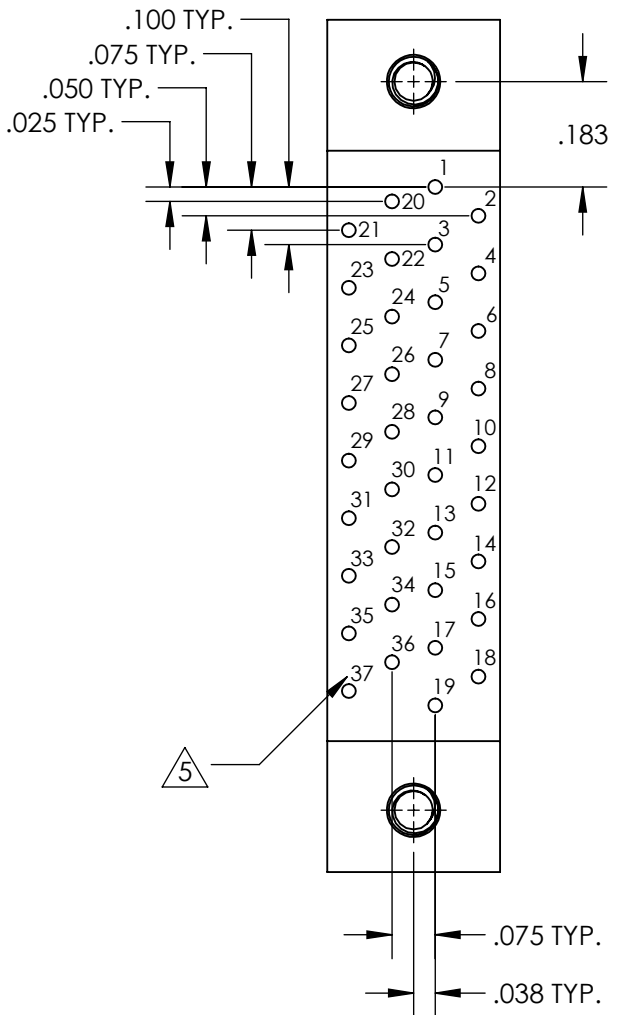
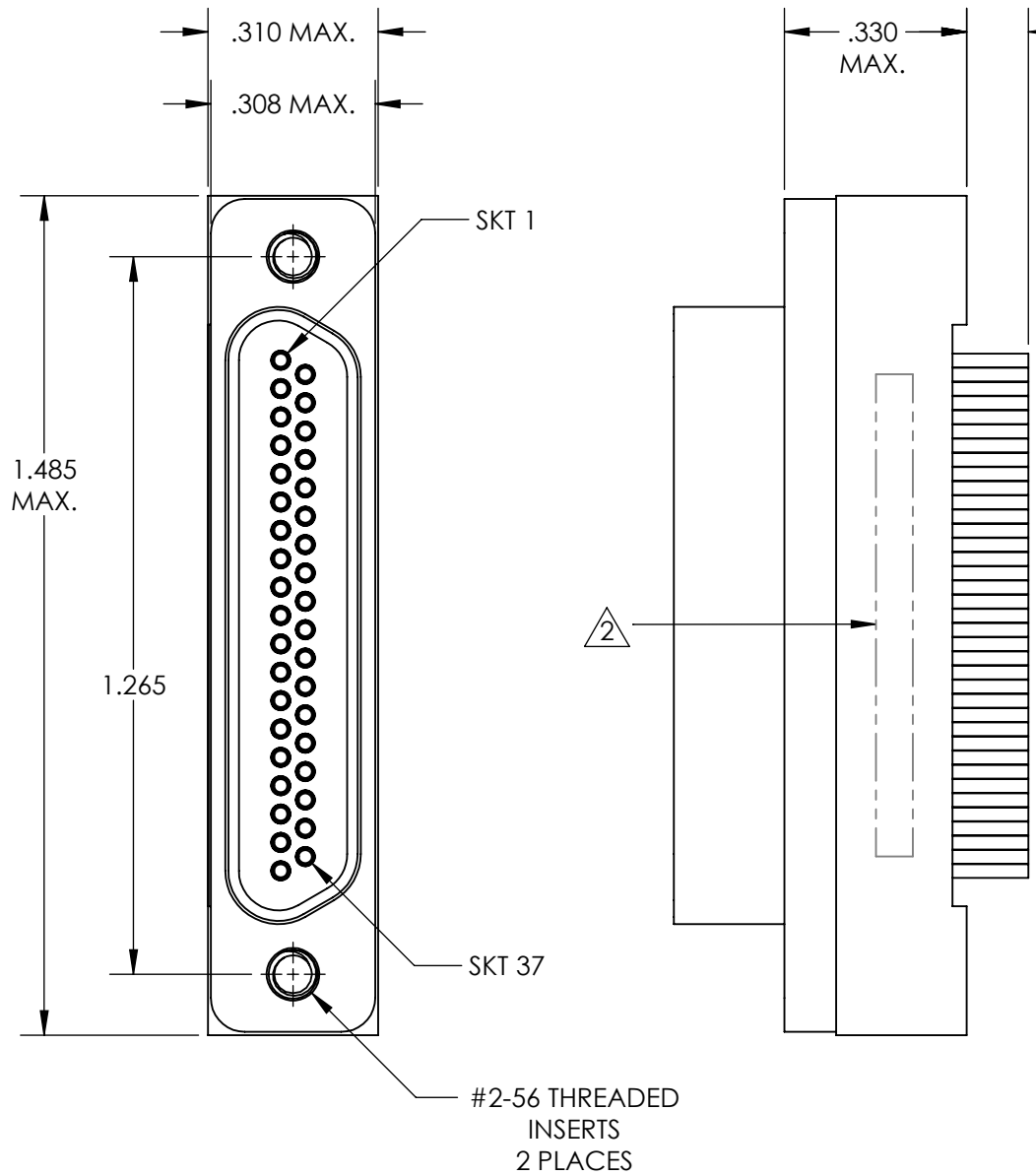
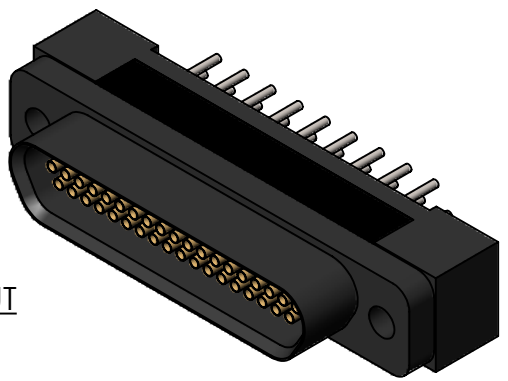


REVISIONS

PART REV.	DWG. ISSUE	DATE	ECN NO.	APPVD. BY	REL. BY
-	-	11/23/2016	UMI6152	DW	DW



RECOMMENDED PCB LAYOUT



5 NUMBERS ARE FOR REFERENCE ONLY AND DO NOT APPEAR ON PART

4. PERFORMANCE SPECIFICATIONS: (AT AMBIENT TEMPERATURE)
 CURRENT RATING: 3A MAX.
 INSULATION RESISTANCE: 5000 MΩ MIN.
 DWV: 600 VAC
 TEMPERATURE RATING: 125°C

3 MATERIALS:
 SHELL, INSULATOR, AND BACKSHELL: PPS PER MIL-M-24519 GST-40F, COLOR: BLK
 SOCKET CONTACTS: C21000 BRASS ALLOY PER ASTM B36, GOLD PLATED PER ASTM B488
 24 AWG LEADS: TIN PLATED COPPER ALLOY PER A-A-59551 TYPE S
 THREADED INSERTS: PASSIVATED STAINLESS STEEL

2 MARKINGS: " UMI ", DATE CODE, WORK ORDER NUMBER, AND UMI PART NUMBER

1. CONNECTOR ASSEMBLY IS IAW MIL-DTL-83513 UNLESS OTHERWISE SPECIFIED

NOTES: UNLESS OTHERWISE SPECIFIED

QUALITY SYMBOLS CRITICAL MAJOR NO SYMBOL = MINOR DIMENSION	UNLESS SPECIFIED: ALL DIMENSIONS IN INCHES GENERAL TOLERANCES: 3 PLACE ±.005 2 PLACE ±.01 ANGULAR ±2° ALL EXTERNAL SPECIFICATIONS REFERENCED ON THIS DRAWING SHALL BE THE LATEST REVISION IN EFFECT Ulti-Mate CAGE CODE 58967	SCALE 3:1 DWG SIZE B	THIRD ANGLE PROJECTION REVISE ON CAD ONLY	
	DRAWN BY & DATE JB 11/23/2016 CHECKED BY & DATE DW 11-28-16 APPROVED BY & DATE DW 11-28-16	TITLE MICRO-D PLASTIC CIRCUIT CONNECTOR RECEPTACLE (SOCKETS), 37 POSITION, STYLE 6 CB6R37SOT	MATERIAL 3	ENG PROJECT # Ulti-Mate Connector Inc.
	CAD FILENAME SD-836868619.slddrw	PART NO. 836868619	DRAWING NO. SD-836868619	SHEET NO. 1 OF 1
	THIS DRAWING CONTAINS INFORMATION THAT IS PROPRIETARY TO ULTI-MATE INCORPORATED AND SHOULD NOT BE USED WITHOUT WRITTEN PERMISSION.			PART REV. -