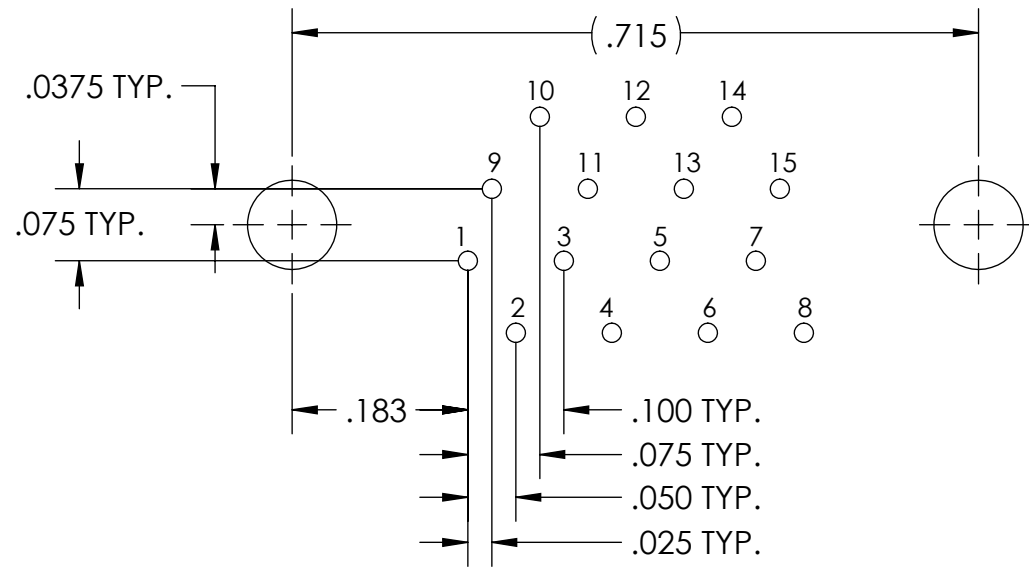
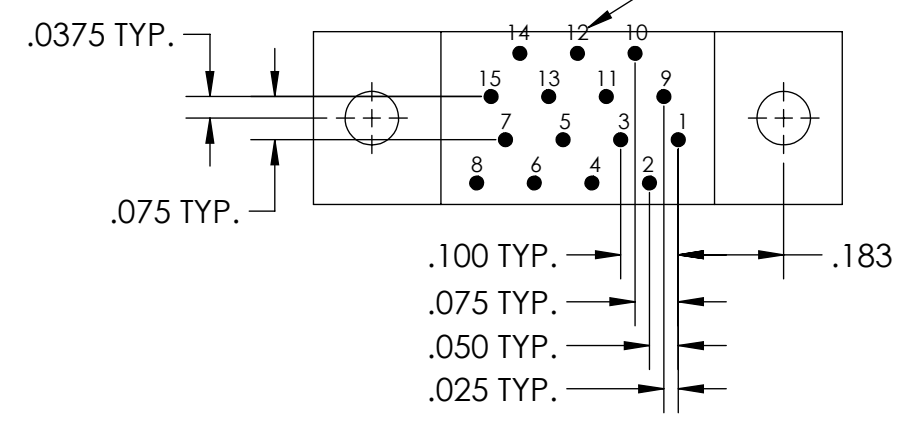
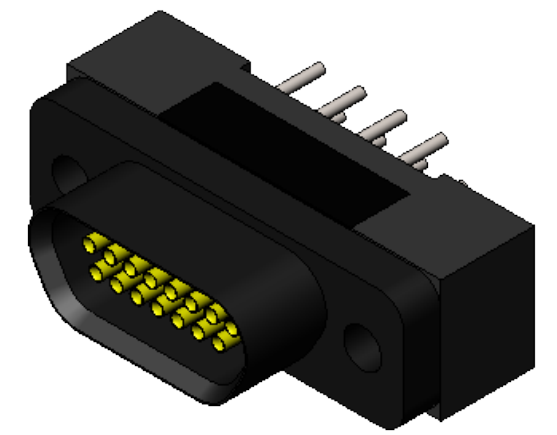
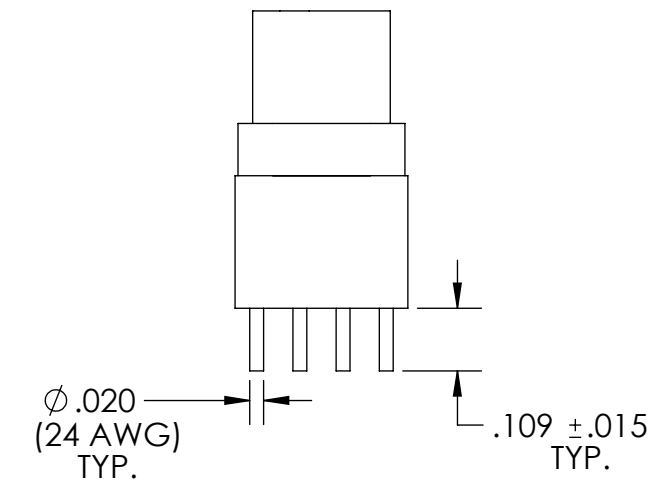
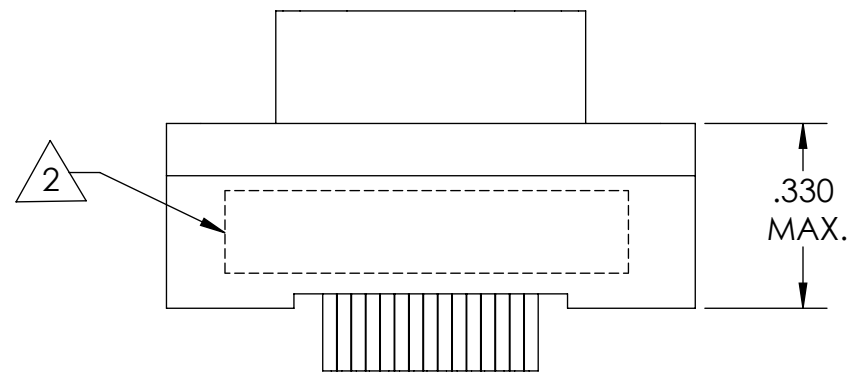
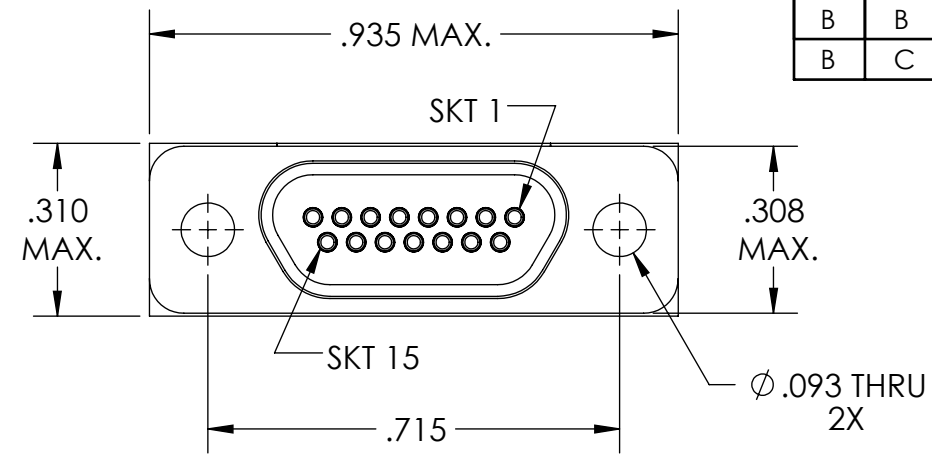
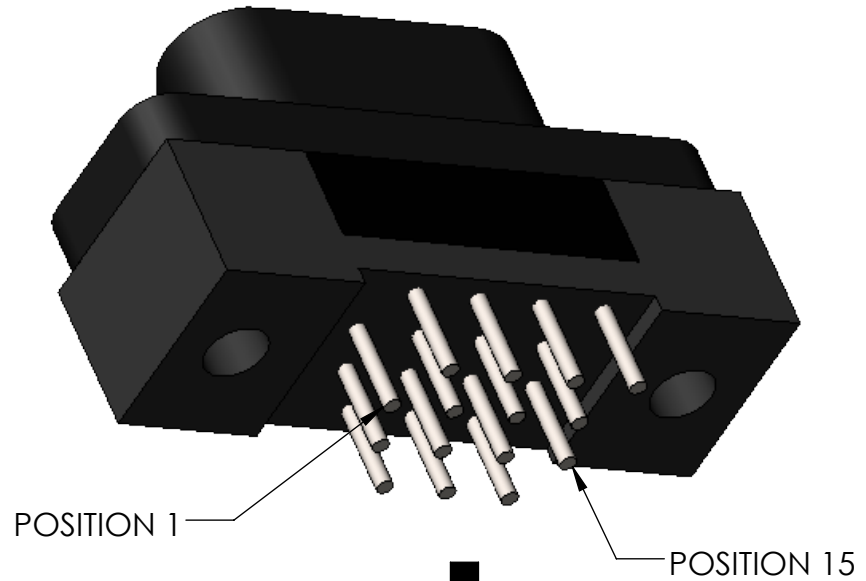


PART REV	DWG ISSUE	DATE	ECN NO.	APPVD BY	REL BY
A	A	3/11/06	UMI3301	DW	DW
B	B	5/20/09	UMI3874	DW	DW
B	C	8/7/17	UMI6456	DW	DW



RECOMMENDED PCB LAYOUT

- 5 NUMBERS ARE REFERENCE ONLY AND DO NOT APPEAR ON ACTUAL ASSEMBLY.
- 4. PERFORMANCE SPECIFICATIONS:
CURRENT RATING: 3 AMPS MAX.
DWV: 600 VAC
TEMPERATURE RATING: 125° C
- 3 MATERIALS:
SHELL/BACKSHELL: PPS PER MIL-M-24519 GST-40F, COLO: BLACK
SOCKET CONTACTS: C21000 COPPER ALLOY PER ASTM B36, GOLD PLATED PER ASTM B488
24 AWG LEADS: TIN PLATED COPPER ALLOY PER A-A-59551, TYPE S
- 2 MARKING: "UMI", DATE CODE, UMI PART NUMBER, UMI WORK ORDER NUMBER

1. CONNECTOR ASSEMBLY IS IAW MIL-DTL-83513 UNLESS OTHERWISE SPECIFIED.

NOTES: UNLESS OTHERWISE SPECIFIED.

QUALITY SYMBOLS CRITICAL MAJOR NO SYMBOLS = MINOR DIMENSIONS	UNLESS OTHERWISE SPECIFIED: ALL DIMENSIONS ARE IN INCHES	SCALE 3 : 1	DWG SIZE B	THIRD ANGLE PROJECTION	REVISE ON CAD ONLY		
	GENERAL TOLERANCES: 3 PLACES ±.005 2 PLACES ±.01 ANGULAR ±2°	DRAWN BY & DATE DU 8/7/17	TITLE: MICRO-D CIRCUIT CONNECTOR, RECEPTACLE, SIZE 15, STYLE 6, NO HARDWARE, CB6R15S0		MATERIAL: 3	ENG PROJECT #: NONE	SHEET NO. 1 of 1
		CHECKED BY & DATE DW 8/7/17	PART NO. 836820610			DRAWING NO. SD-836820610	
	APPROVED BY & DATE DW 8/7/17	CAD FILE NAME SD-836820610.SLDDRW	THIS DRAWING CONTAINS INFORMATION THAT IS PROPRIETARY TO ULTI-MATE INCORPORATED AND SHOULD NOT BE USED WITHOUT WRITTEN PERMISSION.				
ULTI-MATE CAGE CODE 58967							

