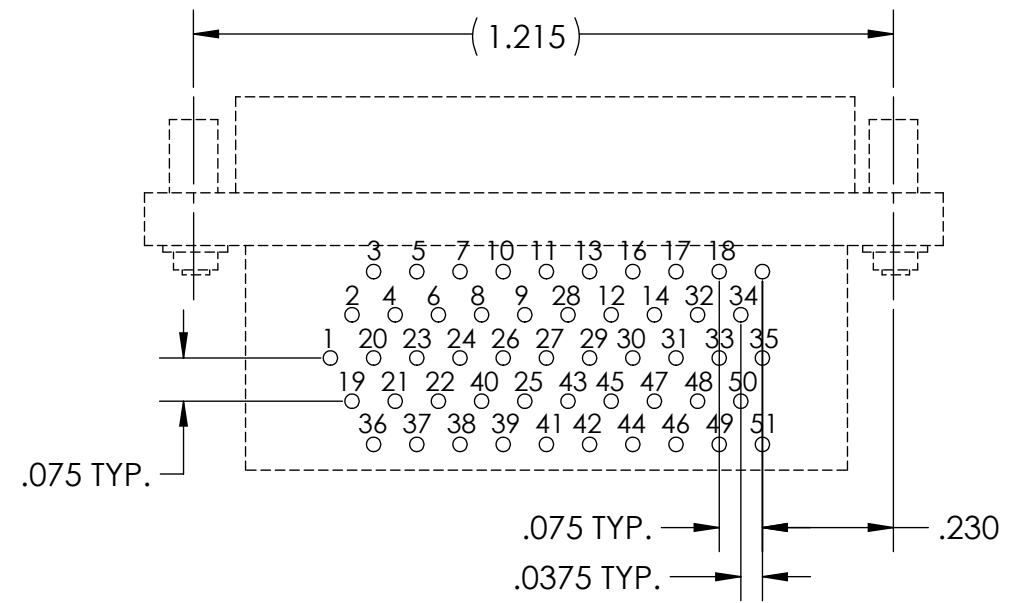
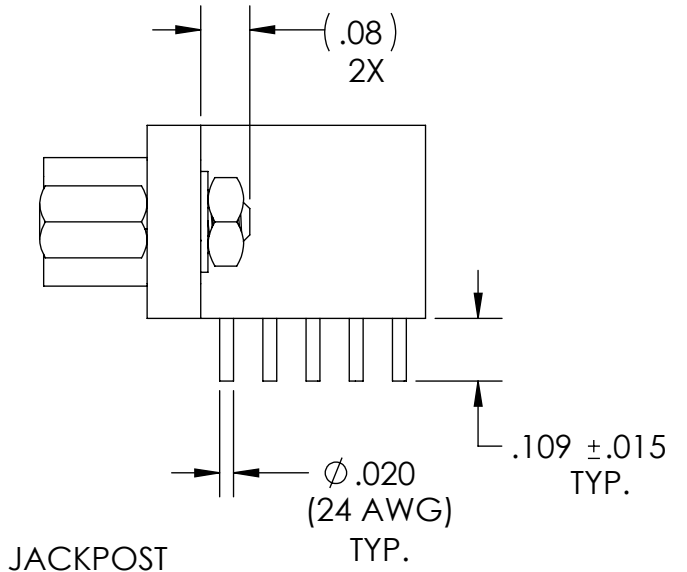
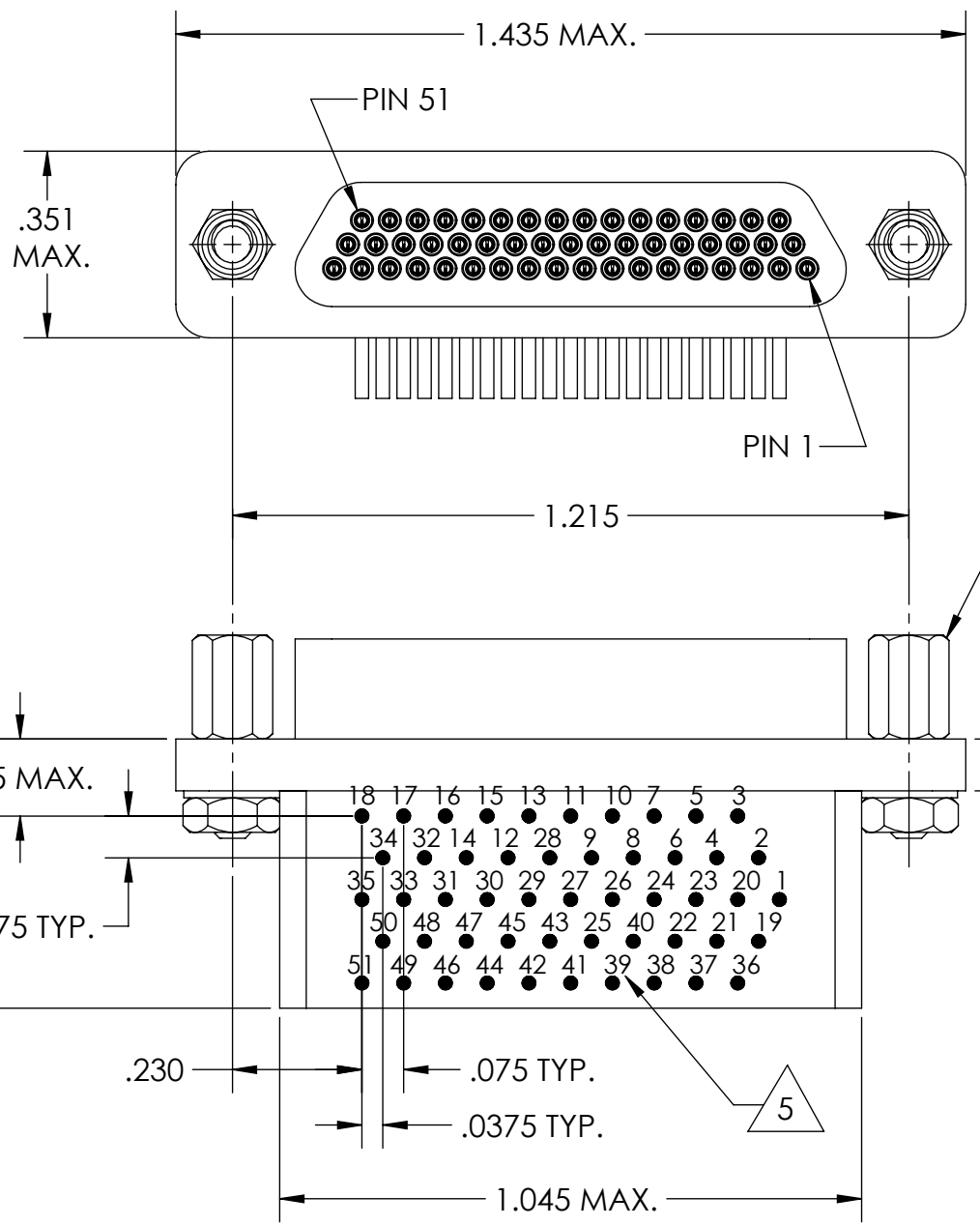
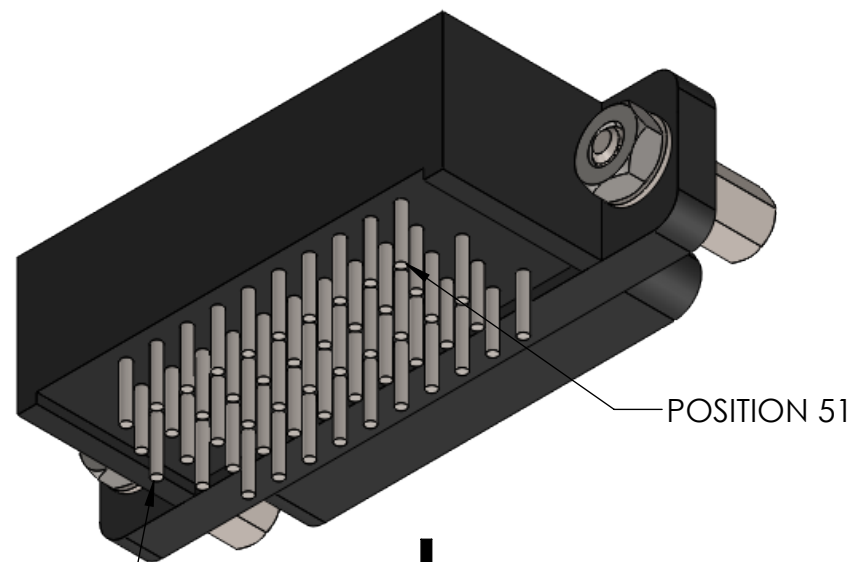
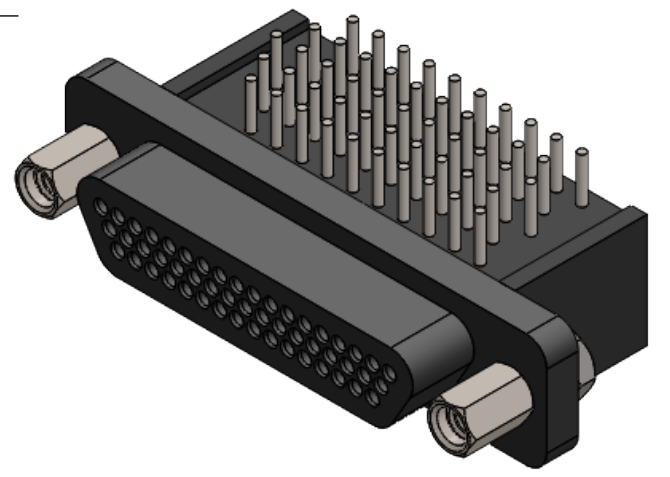


PART REV	DWG ISSUE	DATE	ECN NO.	APPVD BY	REL BY
-	-	7/6/20	UMI7514	DU	DW

F  
E  
D  
C  
B  
A



**RECOMMENDED PCB LAYOUT**



- 6. CONTACT HEIGHTS ARE TO BE PER QA-STD-101.
- 5. NUMBERS, (LEAD LOCATIONS), ARE SHOWN FOR REFERENCE ONLY AND DO NOT APPEAR ON ACTUAL PART.
- 4. PERFORMANCE SPECIFICATIONS:  
CURRENT RATING: 3 AMP MAX.  
DWV: 600 VAC  
TEMPERATURE RATING: -55°C TO 125°C
- 3. MATERIALS:  
SHELL/BACKSHELL: PPS PER MIL-M-24519 GST-40F, COLOR: BLACK  
PIN CONTACTS: C17200 BERYLLIUM COPPER PER ASTM B194, GOLD PLATED PER ASTM B488  
24 AWG LEADS: TIN PLATED COPPER ALLOY PER A-A-59551, TYPE S  
HARDWARE: PASSIVATED STAINLESS STEEL, 300 SERIES
- 2. MARKING: "UMI", DATE CODE, UMI PART NUMBER, UMI WORK ORDER NUMBER
- 1. CONNECTOR ASSEMBLY IS IAW MIL-DTL-83513.

**NOTES: UNLESS OTHERWISE SPECIFIED.**

QUALITY SYMBOLS CRITICAL MAJOR NO SYMBOLS = MINOR DIMENSIONS	UNLESS OTHERWISE SPECIFIED: ALL DIMENSIONS ARE IN INCHES	SCALE 4 : 1	DWG SIZE B	THIRD ANGLE PROJECTION	REVISE ON CAD ONLY	
	GENERAL TOLERANCES: 3 PLACES ±.005 2 PLACES ±.01 ANGULAR ±2°	DRAWN BY & DATE DU 7/6/20		TITLE: MICRO-D CIRCUIT CONNECTOR, CB18R51-3P07, PLASTIC SHELL		
	ULTI-MATE CAGE CODE 58967	CHECKED BY & DATE DW 7/6/20		MATERIAL: 3	ENG PROJECT #: NONE	
		APPROVED BY & DATE DW 7/6/20		PART NO. 836778017	DRAWING NO. SD-836778017	
		CAD FILE NAME SD-836778017.slidrw		THIS DRAWING CONTAINS INFORMATION THAT IS PROPRIETARY TO ULTI-MATE INCORPORATED AND SHOULD NOT BE USED WITHOUT WRITTEN PERMISSION.		