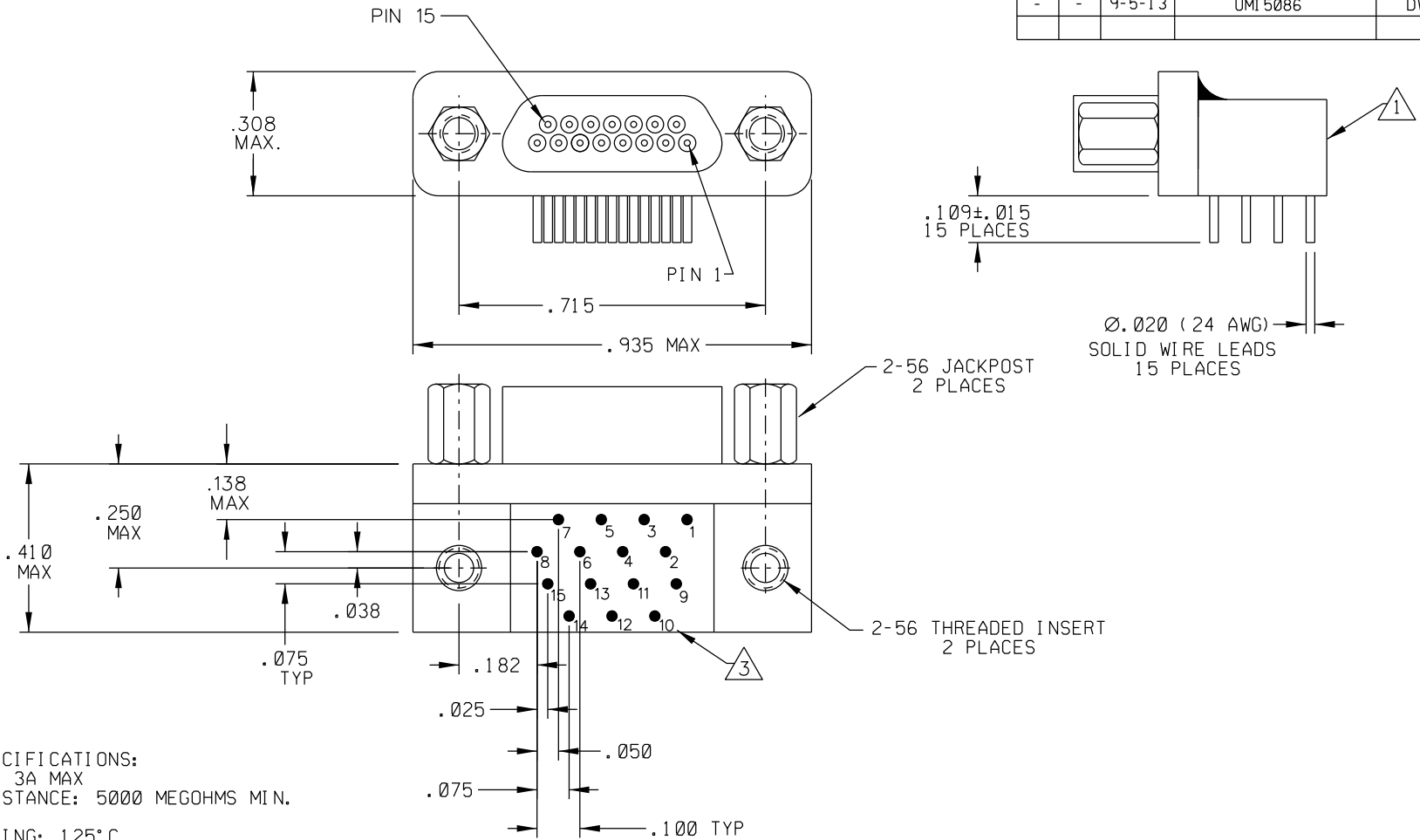


PART REV	DWG ISSUE	DATE	ECN NO.	APPVD BY	REL BY
-	-	9-5-13	UMI 5086	DW	DW



4. PERFORMANCE SPECIFICATIONS:  
 CURRENT RATING: 3A MAX  
 INSULATION RESISTANCE: 5000 MEGOHMS MIN.  
 DWV: 600 VAC  
 TEMPERATURE RATING: 125°C  
 CONTACT RESISTANCE: 8 MILLIOHMS MAX AT 2.5 AMPS

3. NUMBERS ON BACKSHELL ARE SHOWN FOR REFERENCE ONLY AND DO NOT APPEAR ON PART

2. MATERIALS:  
 BACKSHELL AND BODY/INSULATOR: PPS PER MIL-M-24519 GST-40F, COLOR: BLACK  
 PIN CONTACTS: C17200 BERYLLIUM COPPER PER ASTM B194, GOLD PLATED PER ASTM B488  
 HARDWARE: STAINLESS STEEL IAW MIL-DTL-83513, PASSIVATED  
 SOLID WIRE LEADS: TIN PLATED COPPER ALLOY PER A-A-59551 TYPE S

1. MARKING: UMI, DATE CODE, UMI P/N, AND WORK ORDER NUMBER.

NOTES: UNLESS OTHERWISE SPECIFIED.

QUALITY SYMBOLS CRITICAL SPECIAL KEY	UNLESS SPECIFIED: ALL DIMENSIONS IN INCHES GENERAL TOLERANCES: 3 PLACE ± .005 2 PLACE ± .01 ANGULAR ± 2°	SCALE 4 : 1 DWG SIZE B	THIRD ANGLE PROJECTION	REVISE ON CAD ONLY
	ALL EXTERNAL SPECIFICATIONS REFERENCED ON THIS DRAWING SHALL BE TO THE LATEST REVISION IN EFFECT Ulti-Mate CAGE CODE <b>58967</b>	DRAWN BY & DATE DW 9-5-13 CHECKED BY & DATE SEE ECN APPROVED BY & DATE SEE ECN	CAD FILENAME SD-836728818.DGN	TITLE: MICRO-D CIRCUIT, PIN CONTACTS, PLASTIC SHELL, STYLE 8 BACKSHELL, CB8R15P07T MATERIAL:



THIS DRAWING CONTAINS INFORMATION THAT IS PROPRIETARY TO ULTI-MATE INCORPORATED AND SHOULD NOT BE USED WITHOUT WRITTEN PERMISSION.