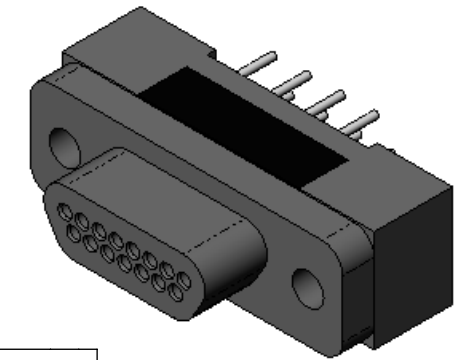
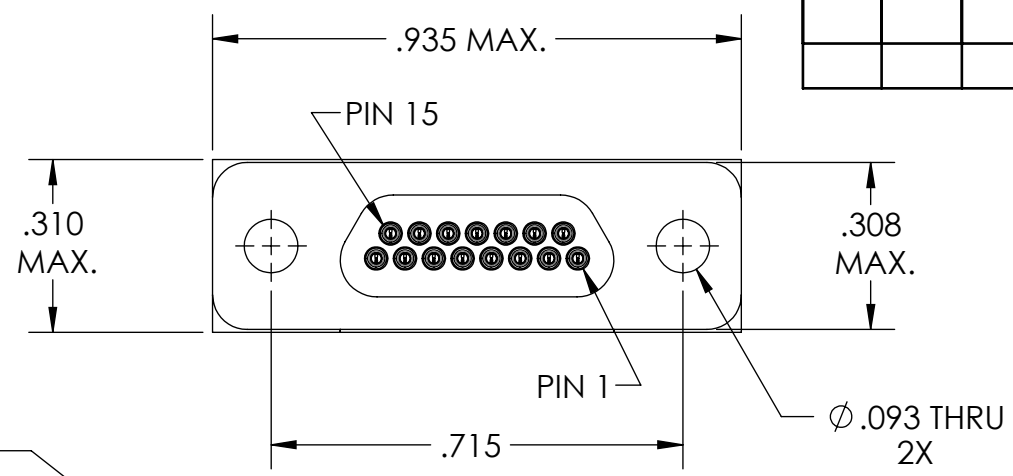
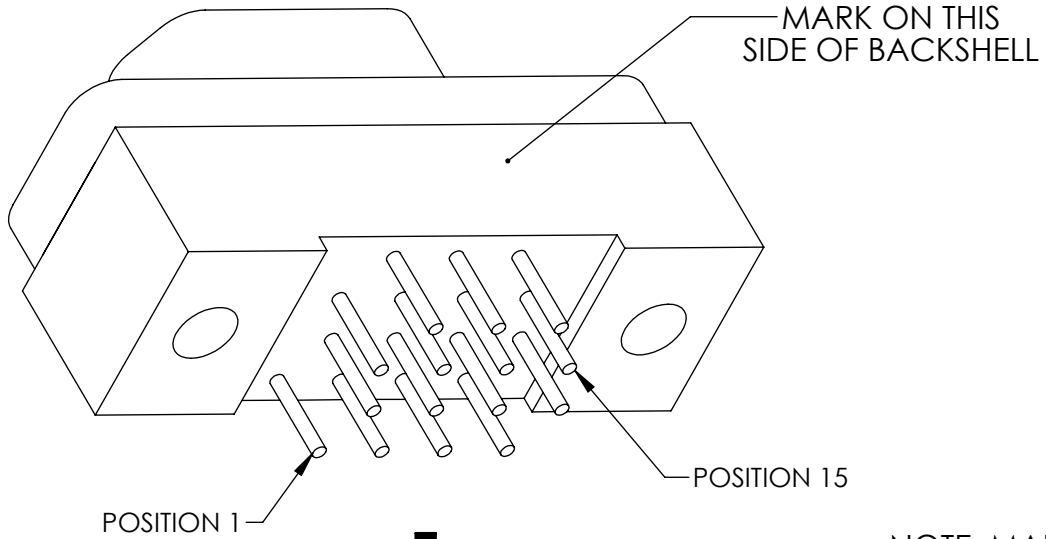


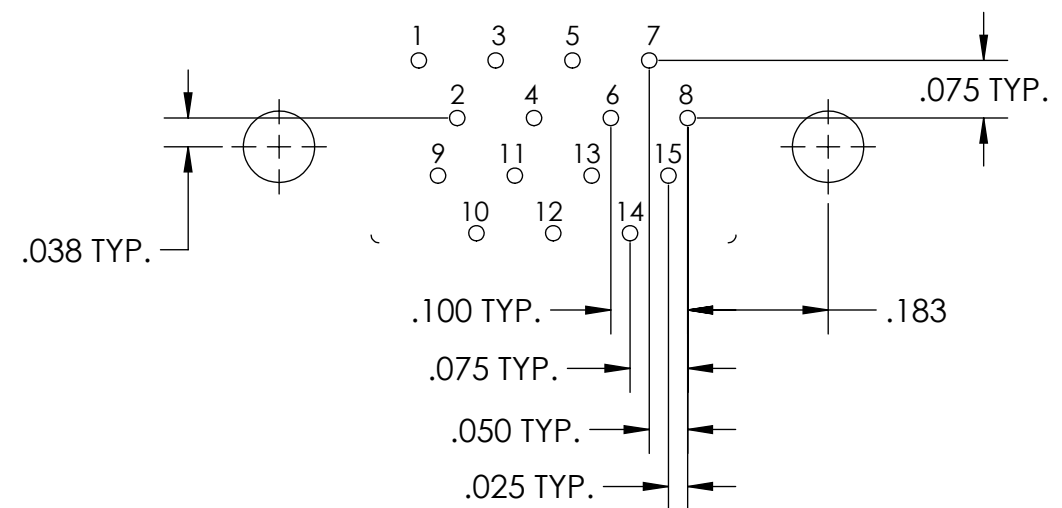
PART REV	DWG ISSUE	DATE	ECN NO.	APPVD BY	REL BY
-	-	6/2/15	UMI5628	DW	DW

F



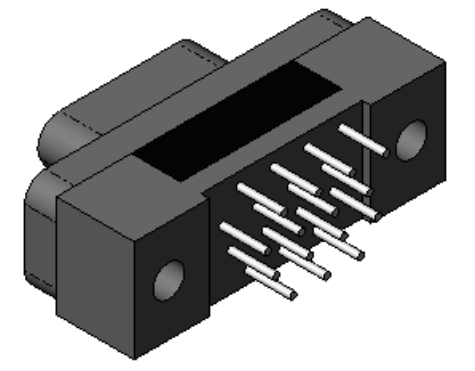
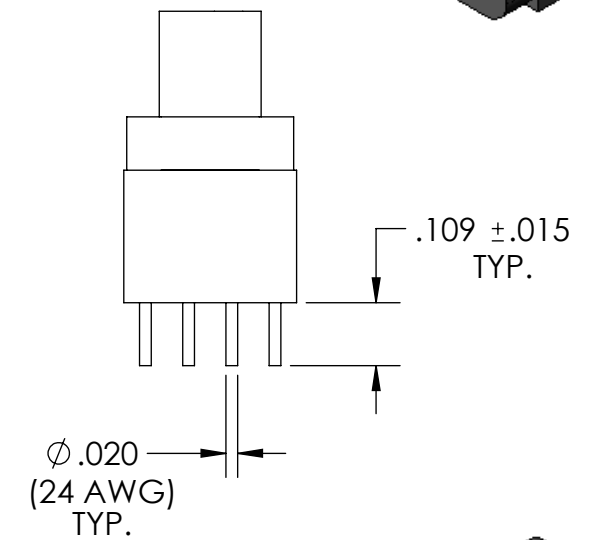
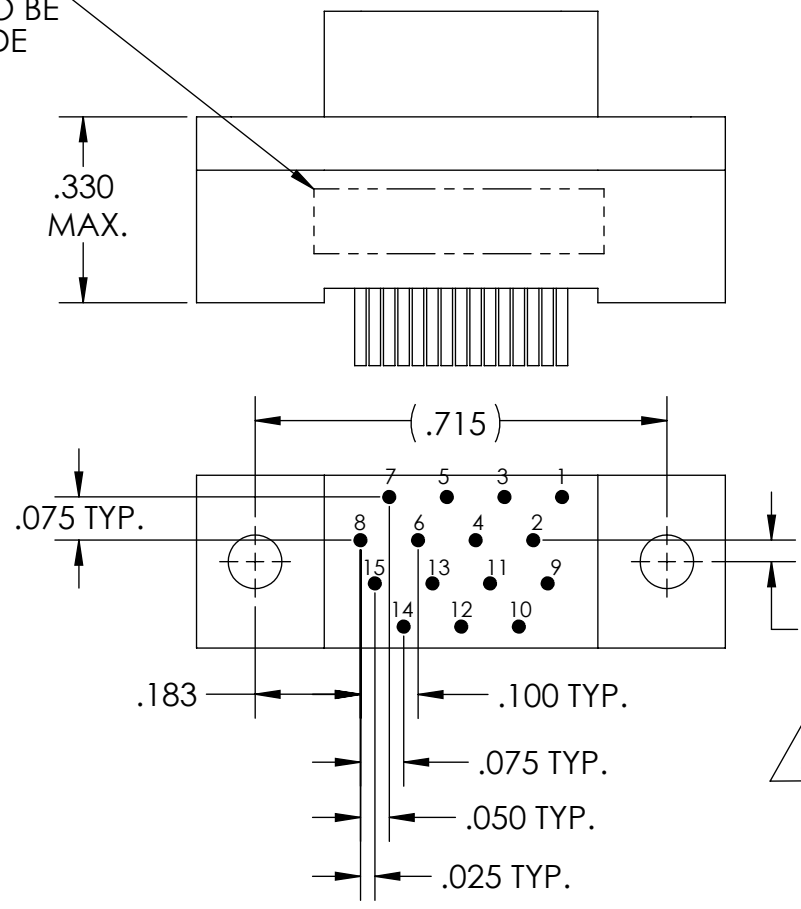
E

PCB VIEW



RECOMMENDED PCB LAYOUT

NOTE: MARKING TO BE ON OPPOSITE SIDE OF BACKSHELL



D

C

5 NUMBERS, (LEAD LOCATIONS), ARE FOR REFERENCE ONLY AND DO NOT APPEAR ON ACTUAL PART.

B

4. PERFORMANCE SPECIFICATIONS:
 CURRENT RATING: 3 AMPS MAX.
 INSULATION RESISTANCE: 5000 MEGOHMS MIN.
 DWV: 600 VAC
 TEMPERATURE RATING: 125° C

3 MATERIALS:
 SHELL AND BACKSHELL: PPS PER MIL-M-24519 GST-40F, COLOR: BLACK
 PIN CONTACT: C17200 BERYLLIUM COPPER PER ASTM B194, GOLD PLATED PER ASTM B488
 24 AWG LEADS: TIN PLATED COPPER ALLOY PER A-A-59551, TYPE S

A

2 MARKING: "UMI", DATE CODE, UMI PART NUMBER
 1. CONNECTOR ASSEMBLY IS IAW MIL-DTL-83513 UNLESS OTHERWISE SPECIFIED.
NOTES: UNLESS OTHERWISE SPECIFIED.

QUALITY SYMBOLS CRITICAL C MAJOR NO SYMBOLS = MINOR DIMENSIONS	UNLESS OTHERWISE SPECIFIED: ALL DIMENSIONS ARE IN INCHES	SCALE 3:1	DWG SIZE B	THIRD ANGLE PROJECTION	REVISE ON CAD ONLY
	GENERAL TOLERANCES: 3 PLACES ±.005 2 PLACES ±.01 ANGULAR ±2°	DRAWN BY & DATE DU 6/2/15	TITLE: MICRO-D CIRCUIT CONNECTOR, CB6R15P0		
	ULTI-MATE CAGE CODE 58967	CHECKED BY & DATE DW 6/2/15	MATERIAL: 3	ENG PROJECT #: NONE	
		APPROVED BY & DATE DW 6/2/15	PART NO. 836728610	DRAWING NO. SD-836728610	
		CAD FILE NAME SD-836728610.SLDDRW	THIS DRAWING CONTAINS INFORMATION THAT IS PROPRIETARY TO ULTI-MATE INCORPORATED AND SHOULD NOT BE USED WITHOUT WRITTEN PERMISSION.		