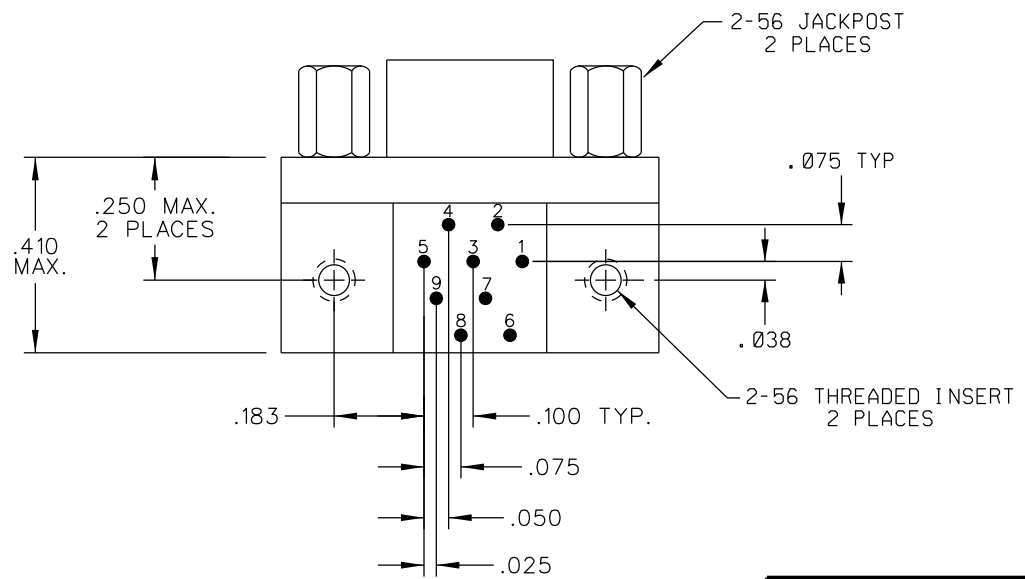
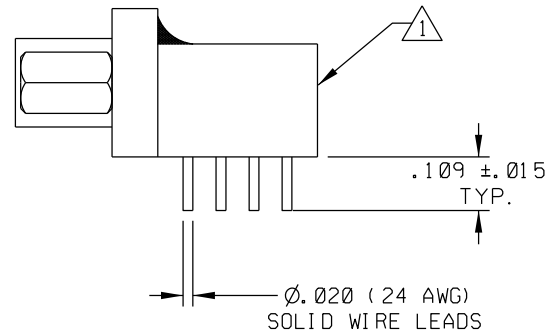
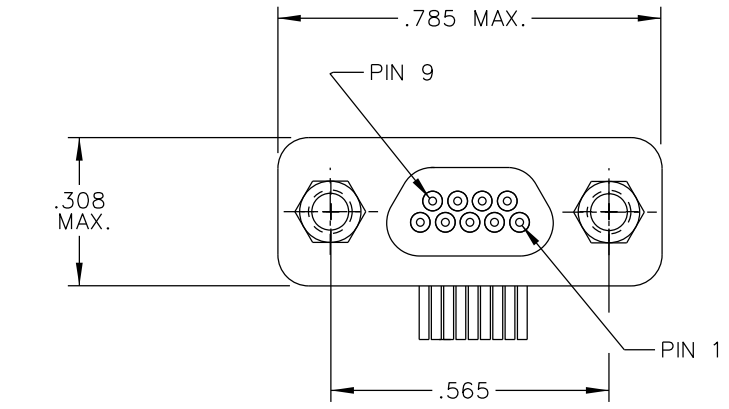


| PART REV | DWG ISSUE | DATE | ECN NO. | APPVD BY | REL BY |
|----------|-----------|----------|-----------|----------|--------|
| - | - | 12-21-16 | UMI 61 80 | DW | DW |



- △ 2 MATERIALS:
SHELL/INSULATOR AND BACKSHELL: PPS PER MIL-M-2451 9 GST-40F, COLOR: BLACK
PIN CONTACTS: C17200 BERYLLIUM COPPER PER ASTM B1 94 GOLD PLATED PER ASTM B488
24 AWG SOLID WIRE LEADS: TIN PLATED COPPER PER A-A-59551 TYPE S
HARDWARE: PASSIVATED STAINLESS STEEL IAW MIL-DTL-8351 3/5
- △ 1 MARKING: UMI, DATE CODE, UMI P/N, AND UMI WORK ORDER NUMBER.

NOTES: UNLESS OTHERWISE SPECIFIED.

| | | | | | | |
|---|---|---|---|-------------------------------|---------------------|--------------------------|
| QUALITY SYMBOLS CRITICAL SPECIAL KEY S K | UNLESS SPECIFIED: ALL DIMENSIONS IN INCHES GENERAL TOLERANCES: 3 PLACE ± .005 2 PLACE ± .01 ANGULAR ± 2° | SCALE NONE | DWG SIZE B | THIRD ANGLE PROJECTION | REVISE ON CAD ONLY | |
| | ALL EXTERNAL SPECIFICATIONS REFERENCED ON THIS DRAWING SHALL BE TO THE LATEST REVISION IN EFFECT Ulti-Mate CAGE CODE 58967 | DRAWN BY & DATE DW 12-21-16 CHECKED BY & DATE SEE ECN APPROVED BY & DATE SEE ECN | TITLE: CIRCUIT PLUG, SIZE 9, PLASTIC, STYLE 8 BACKSHELL, CB8R09P07T | | MATERIAL: △ 2 | Ulti-Mate Connector Inc. |
| | | CAD FILENAME SD-83671 881 8.DGN | PART NO. 83671 881 8 | DRAWING NO. SD-83671 881 8 | SHEET NO. 1 OF 1 | PART REV - |
| | THIS DRAWING CONTAINS INFORMATION THAT IS PROPRIETARY TO ULTI-MATE INCORPORATED AND SHOULD NOT BE USED WITHOUT WRITTEN PERMISSION. | | | | | |