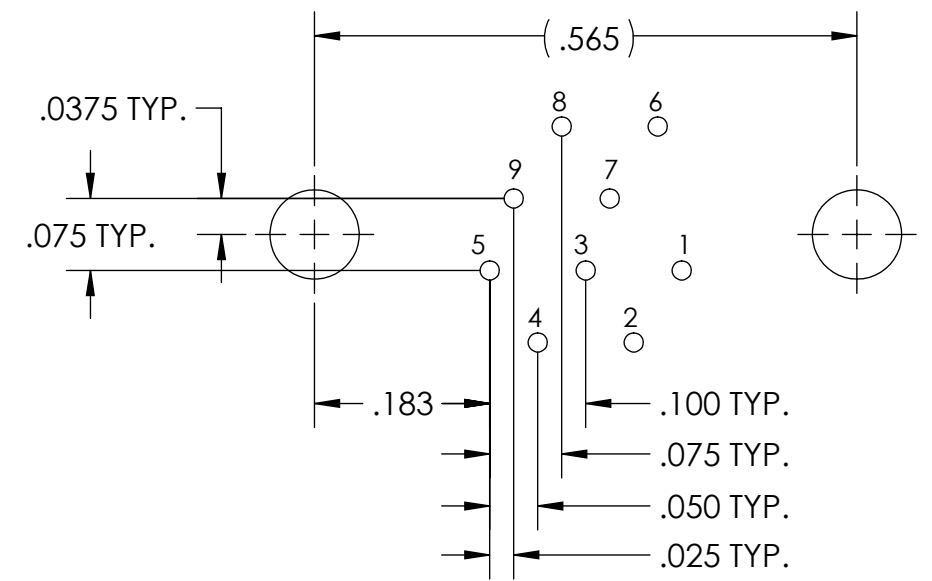
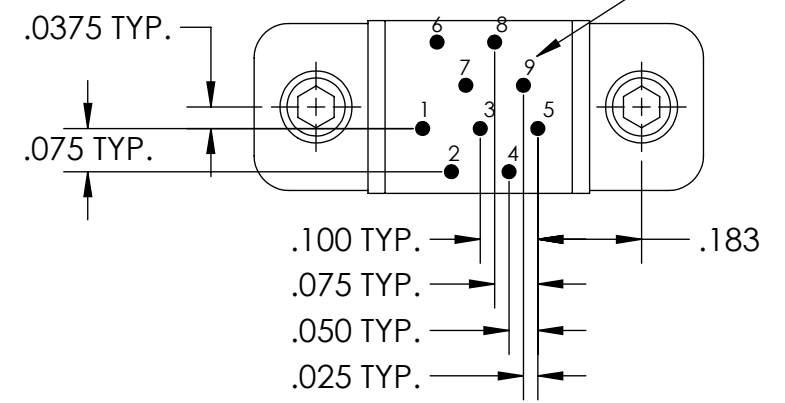
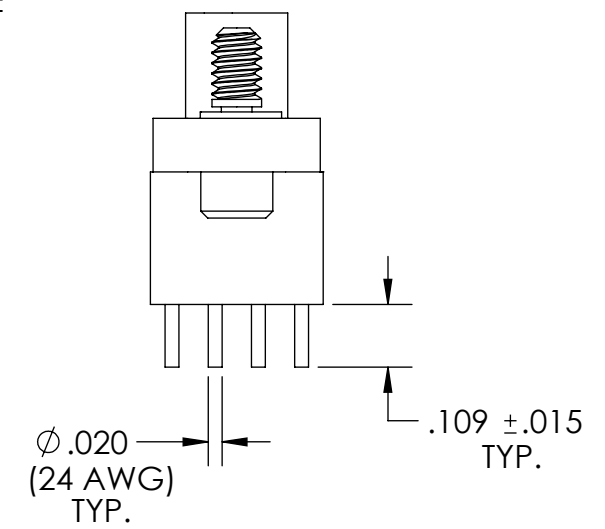
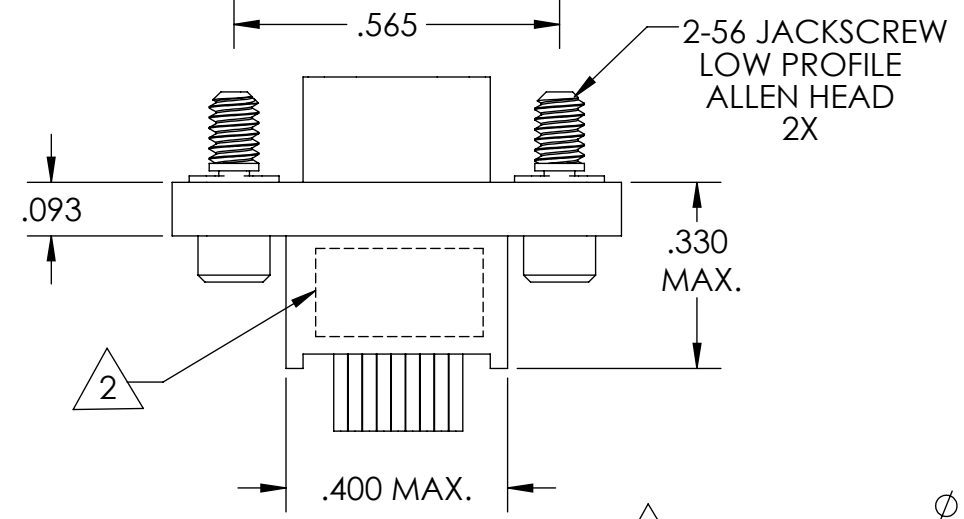
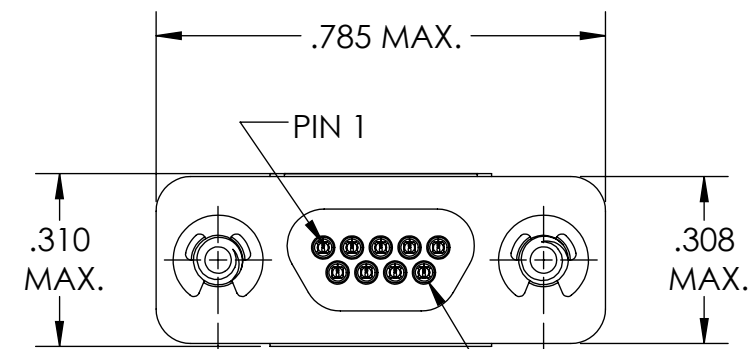
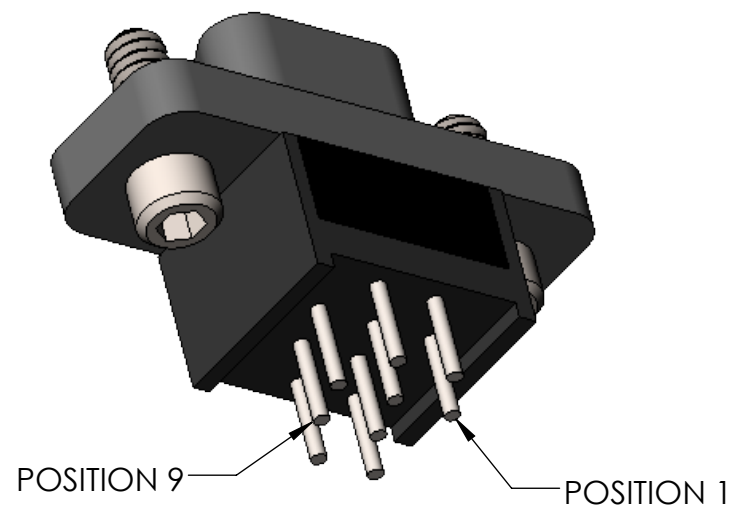
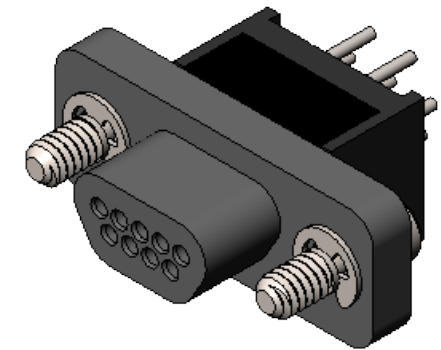


PART REV	DWG ISSUE	DATE	ECN NO.	APPVD BY	REL BY
B	B	3/11/06	UMI3301	DW	DW
C	C	5/20/09	UMI3874	DW	DW
C	D	8/11/17	UMI6456	DW	DW



RECOMMENDED PCB LAYOUT



5 NUMBERS ARE REFERENCE ONLY AND DO NOT APPEAR ON ACTUAL ASSEMBLY.

4. PERFORMANCE SPECIFICATIONS:
 CURRENT RATING: 3 AMPS MAX.
 DWV: 600 VAC
 TEMPERATURE RATING: 125° C

3 MATERIALS:
 SHELL/BACKSHELL: PPS PER MIL-M-24519 GST-40F, COLOR: BLACK
 PIN CONTACTS: C17200 BERYLLIUM COPPER PER ASTM B194, GOLD PLATED PER ASTM B488
 24 AWG LEADS: TIN PLATED COPPER ALLOY PER A-A-59551, TYPE S
 HARDWARE: PASSIVATED STAINLESS STEEL IAW MIL-DTL-83513/5

2 MARKING: "UMI", DATE CODE, UMI PART NUMBER, UMI WORK ORDER NUMBER

1. CONNECTOR ASSEMBLY IS IAW MIL-DTL-83513 UNLESS OTHERWISE SPECIFIED.

NOTES: UNLESS OTHERWISE SPECIFIED.

QUALITY SYMBOLS CRITICAL MAJOR NO SYMBOLS = MINOR DIMENSIONS	UNLESS OTHERWISE SPECIFIED: ALL DIMENSIONS ARE IN INCHES	SCALE 3 : 1	DWG SIZE B	THIRD ANGLE PROJECTION	REVISE ON CAD ONLY		
	GENERAL TOLERANCES: 3 PLACES ±.005 2 PLACES ±.01 ANGULAR ±2°	DRAWN BY & DATE DU 8/11/17	TITLE: MICRO-D CIRCUIT CONNECTOR, PLUG, SIZE 9, STYLE 6, JACKSCREWS, "BR" SERIES, CB&R09P02		MATERIAL: 3	ENG PROJECT #: NONE	SHEET NO. 1 of 1
	ULTI-MATE CAGE CODE 58967	CHECKED BY & DATE DW 8/11/17	APPROVED BY & DATE DW 8/11/17	PART NO. 836710712	DRAWING NO. SD-836710712	PART REV. C	
	CAD FILE NAME SD-836710712.SLDDRW		THIS DRAWING CONTAINS INFORMATION THAT IS PROPRIETARY TO ULTI-MATE INCORPORATED AND SHOULD NOT BE USED WITHOUT WRITTEN PERMISSION.				

