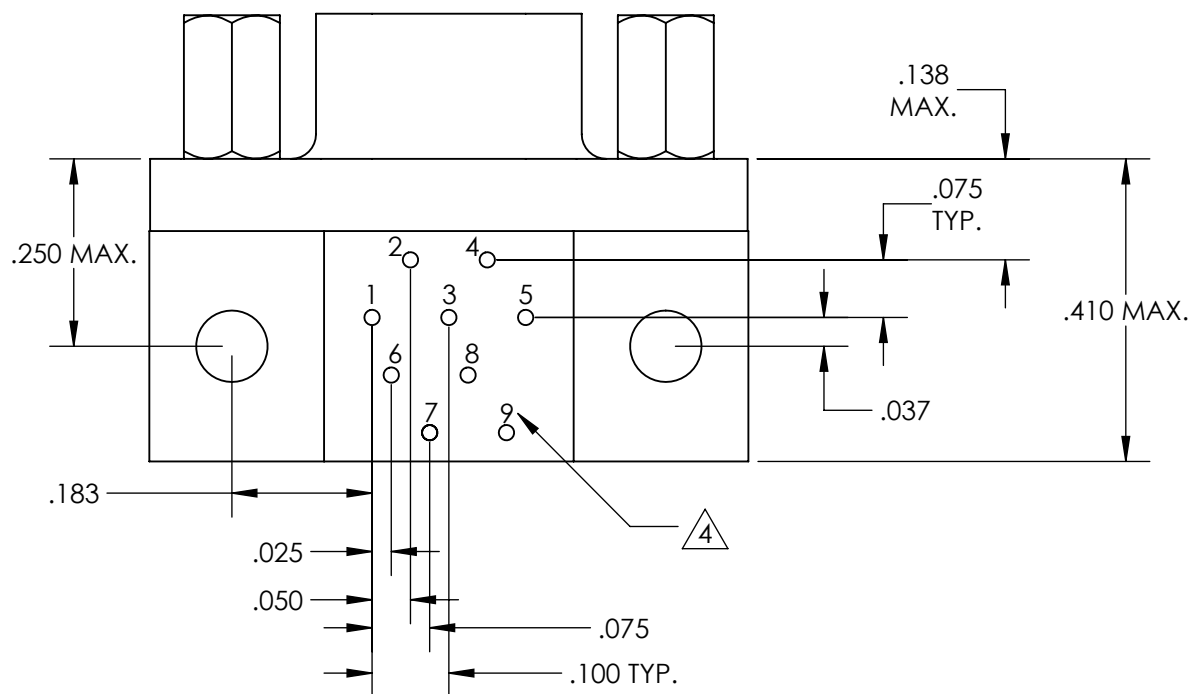
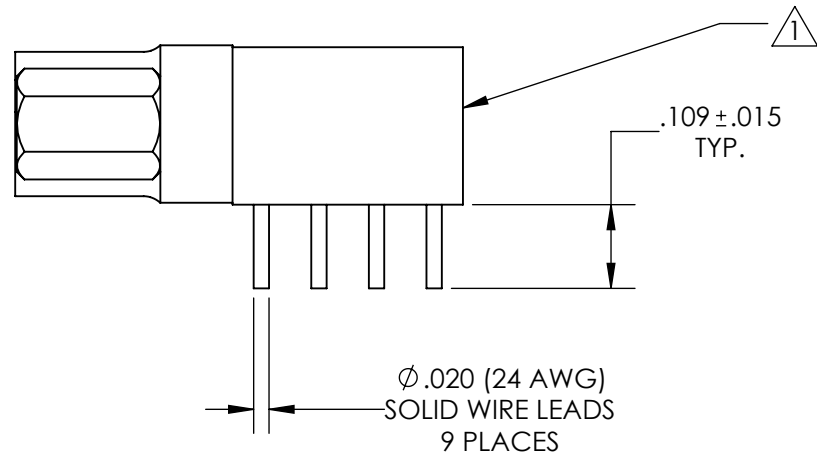
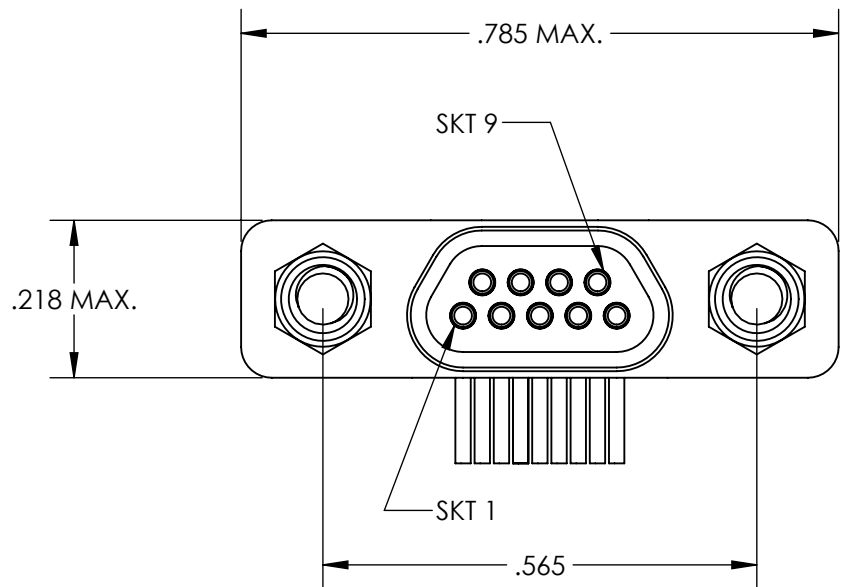


REVISIONS

PART REV.	DWG. ISSUE	DATE	ECN NO.	APPVD. BY	REL. BY
-	-	02/10/11	UMI4301	DW	DW
A	A	07/19/17	UMI6439	DW	DW



△4 NUMBERS ARE FOR REFERENCE ONLY AND DO NOT APPEAR ON ACTUAL PART.

3. PERFORMANCE SPECIFICATIONS:
 CURRENT RATING: 3A MAX.
 INSULATION RESISTANCE: 5000 MΩ MIN.
 DWV: 600 VAC.
 TEMPERATURE RATING: 125 °C.

△2 MATERIALS:
 BODY/INSULATOR AND BACKSHELL: PPS PER MIL-M-24519 GST-40F.
 CONTACTS: C21000 COPPER ALLOY PER ASTM B36, GOLD PLATED PER ASTM B488.
 24 AWG LEADS: TIN PLATED COPPER ALLOY PER A-A-59551 TYPE S.
 HARDWARE: PASSIVATED 300 SERIES STAINLESS STEEL IAW MIL-DTL-83513/5.

△1 MARKING: UMI, UMI P/N, DATE CODE, AND WORK ORDER NO..

NOTES: UNLESS OTHERWISE SPECIFIED

QUALITY SYMBOLS CRITICAL MAJOR NO SYMBOL = MINOR DIMENSION	UNLESS SPECIFIED: ALL DIMENSIONS IN INCHES	SCALE 4:1	DWG SIZE B	THIRD ANGLE PROJECTION	REVISE ON CAD ONLY	
	GENERAL TOLERANCES:	DRAWN BY & DATE DW 02/10/2011		TITLE		
	3 PLACE ±.005 2 PLACE ±.01 ANGULAR ±2°	CHECKED BY & DATE SEE ECN		CIRCUIT CONNECTOR CP8R09S07		
	ALL EXTERNAL SPECIFICATIONS REFERENCED ON THIS DRAWING SHALL BE THE LATEST REVISION IN EFFECT	APPROVED BY & DATE SEE ECN		MATERIAL	ENG PROJECT #	
Ulti-Mate CAGE CODE 58967	CAD FILENAME SD-836618817.SLDDRW		PART NO. 836618817	DRAWING NO. SD-836618817	SHEET NO. 1 OF 1	
THIS DRAWING CONTAINS INFORMATION THAT IS PROPRIETARY TO ULTI-MATE INCORPORATED AND SHOULD NOT BE USED WITHOUT WRITTEN PERMISSION.						PART REV. A