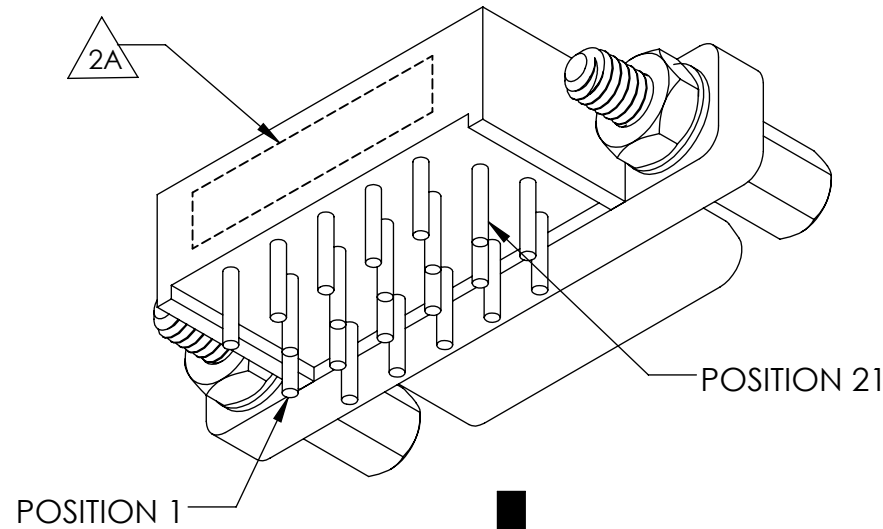
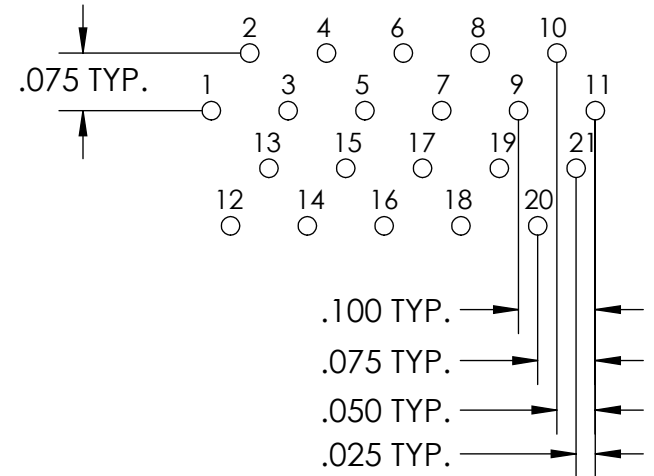


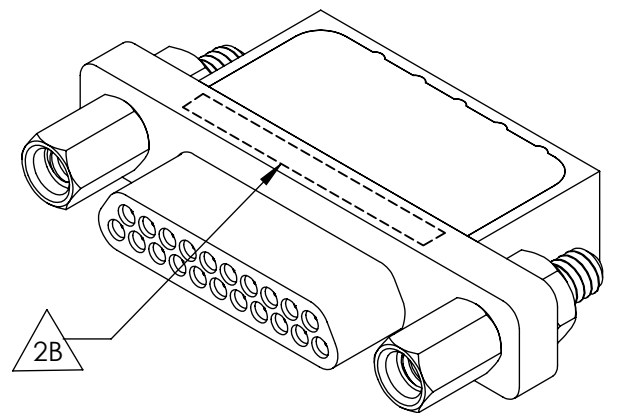
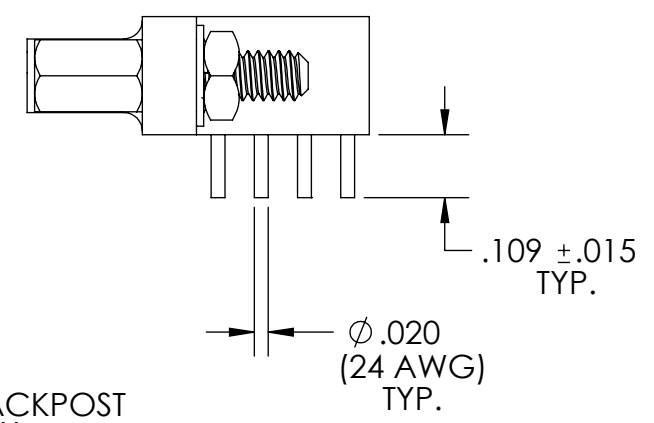
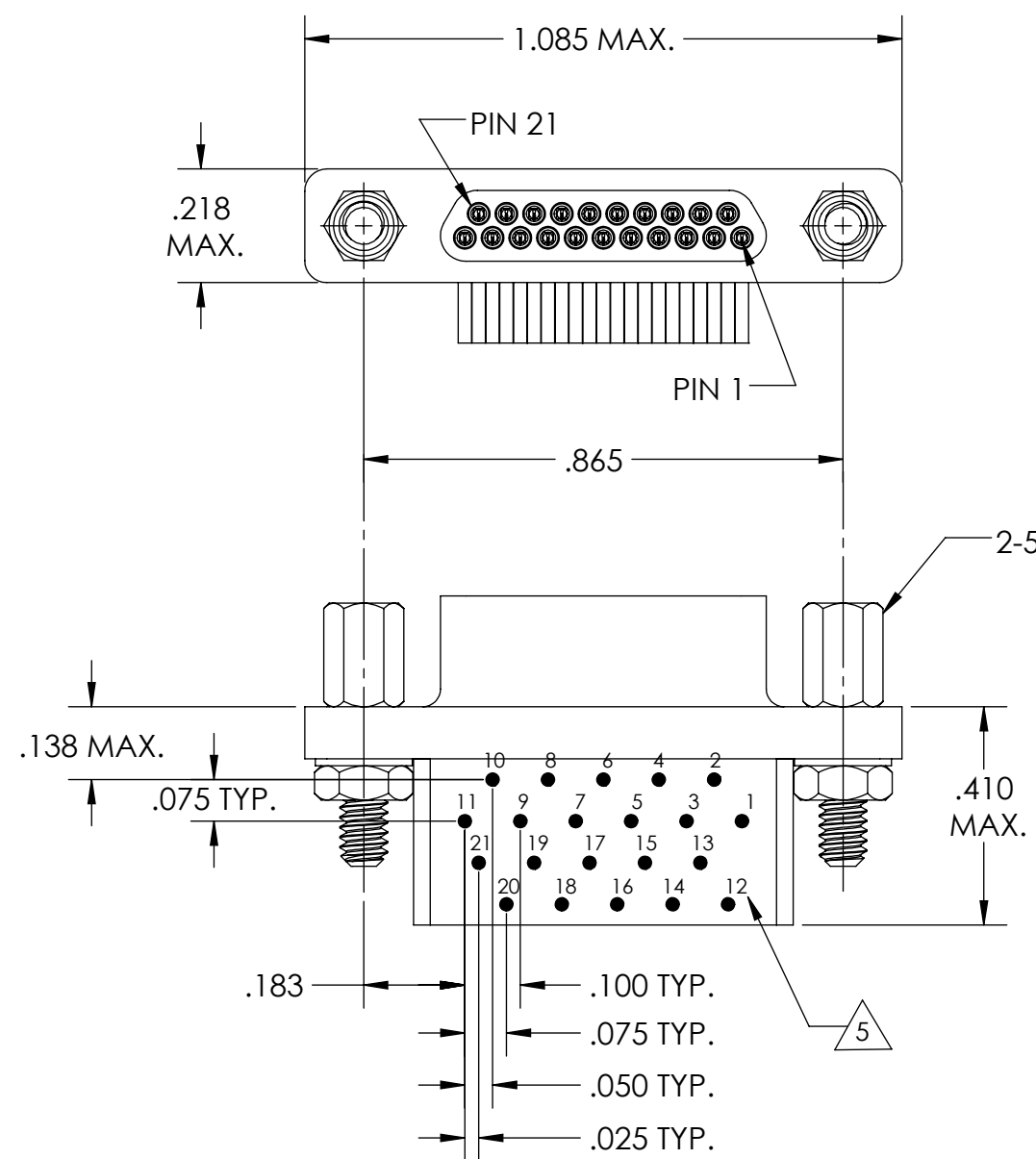
PART REV	DWG ISSUE	DATE	ECN NO.	APPVD BY	REL BY
A	-	4/18/13	UMI4940	DW	DW
A	A	7/28/17	UMI6456	DW	DW



**PCB VIEW**



**RECOMMENDED PCB LAYOUT**



- 5 NUMBERS ARE REFERENCE ONLY AND DO NOT APPEAR ON ACTUAL ASSEMBLY.
- 4. PERFORMANCE SPECIFICATIONS:  
CURRENT RATING: 3 AMPS MAX.  
DWV: 600 VAC  
TEMPERATURE RATING: 125° C
- 3 MATERIALS:  
SHELL/BACKSHELL: PPS PER MIL-M-24519 GST-40F, COLOR: BLACK  
PIN CONTACTS: C17200 BERYLLIUM COPPER PER ASTM B194, GOLD PLATED PER ASTM B488  
24 AWG LEADS: TIN PLATED COPPER ALLOY PER A-A-59551, TYPE S  
HARDWARE: PASSIVATED STAINLESS STEEL IAW MIL-DTL-83513/5
- 2. MARKING:  
2A "UMI", DATE CODE, UMI WORK ORDER NUMBER, UMI PART NUMBER.  
2B ANY MARKING THAT DOES NOT FIT ON BACKSHELL CAN BE MARKED ON FLANGE.
- 1. CONNECTOR ASSEMBLY IS IAW MIL-DTL-83513 UNLESS OTHERWISE SPECIFIED.

**NOTES: UNLESS OTHERWISE SPECIFIED.**

QUALITY SYMBOLS CRITICAL MAJOR NO SYMBOLS = MINOR DIMENSIONS	UNLESS OTHERWISE SPECIFIED: ALL DIMENSIONS ARE IN INCHES	SCALE 3 : 1	DWG SIZE B	THIRD ANGLE PROJECTION	REVISE ON CAD ONLY		
	GENERAL TOLERANCES:  3 PLACES ±.005 2 PLACES ±.01 ANGULAR ±2°	DRAWN BY & DATE DU 7/28/17		TITLE: MICRO-D CIRCUIT CONNECTOR, PLUG, SIZE 21, STYLE 18, JACKPOST, LOW-PROFILE PLASTIC CP18R21P07			
		CHECKED BY & DATE DW 7/28/17		MATERIAL: 3	ENG PROJECT #: NONE		
		APPROVED BY & DATE DW 7/28/17		PART NO. 836538017	DRAWING NO. SD-836538017		
	ULTI-MATE CAGE CODE 58967	CAD FILE NAME SD-836538017.SLDDRW	THIS DRAWING CONTAINS INFORMATION THAT IS PROPRIETARY TO ULTI-MATE INCORPORATED AND SHOULD NOT BE USED WITHOUT WRITTEN PERMISSION.			PART REV. A	