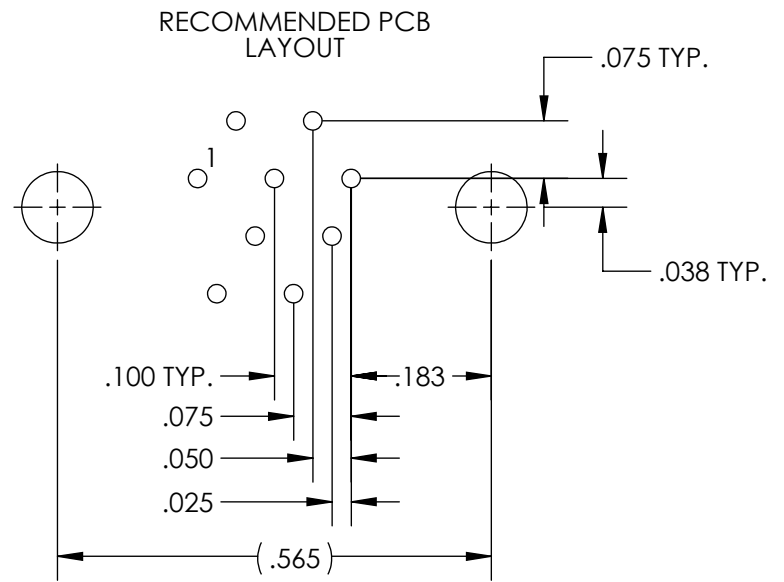
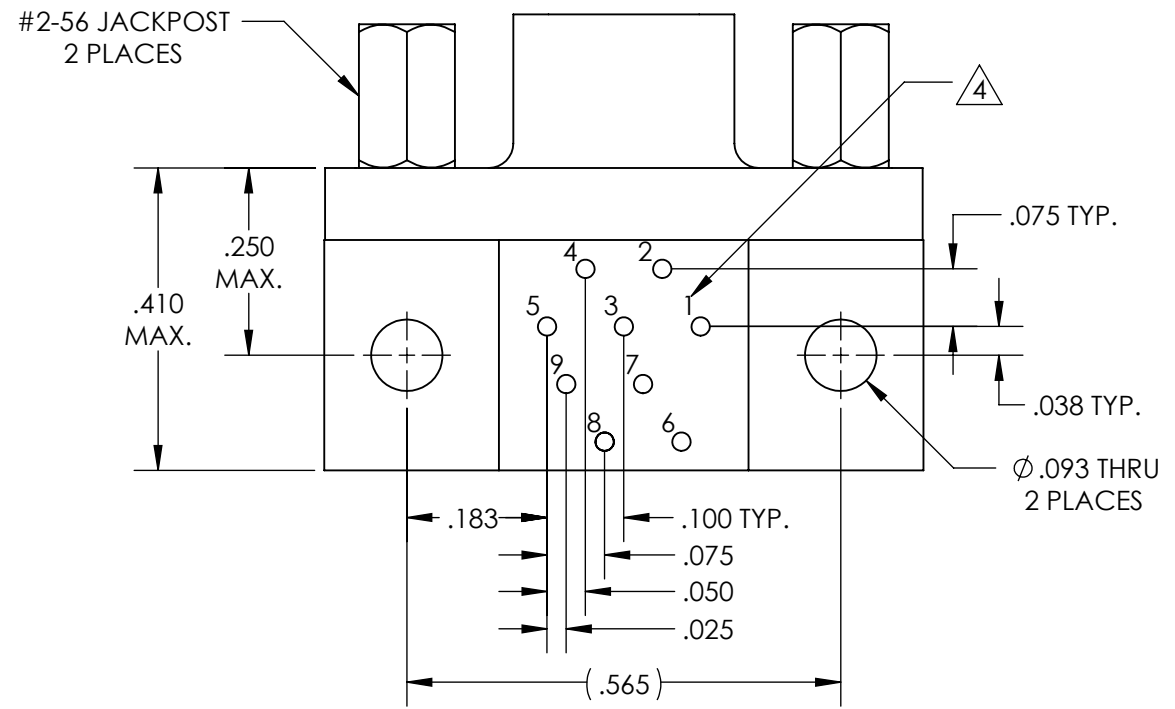
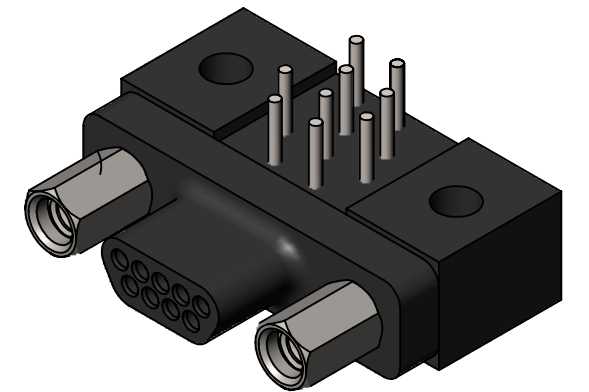
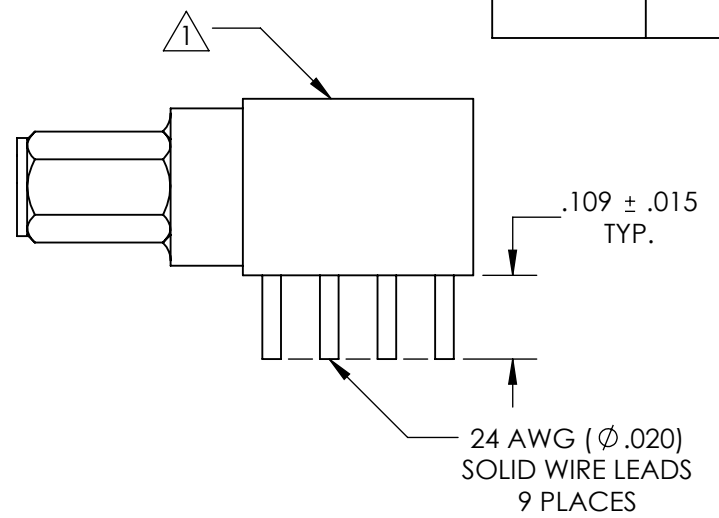
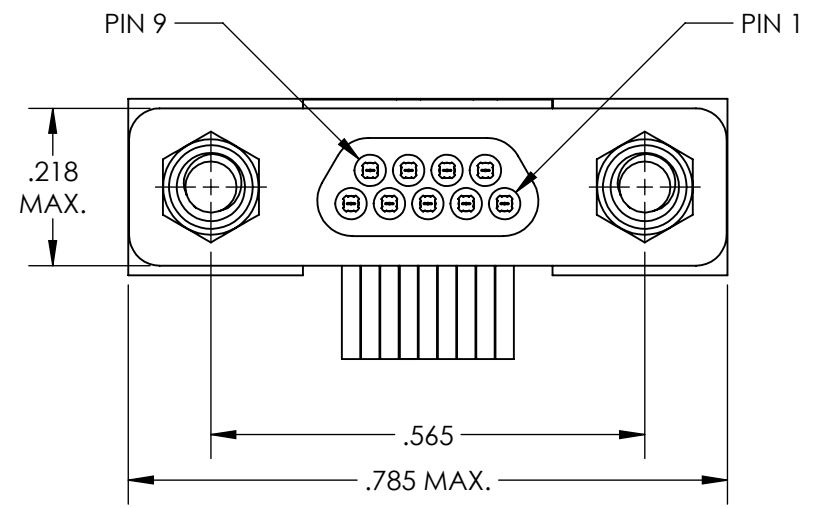


REVISIONS					
PART REV.	DWG. ISSUE	DATE	ECN NO.	APPVD. BY	REL. BY
-	-	01/21/2013	UMI4853	DW	DW



- ④ NUMBERS ARE FOR REFERENCE ONLY AND DO NOT APPEAR ON PART
- 3. PERFORMANCE SPECIFICATIONS:
CURRENT RATING: 3A MAX.
INSULATION RESISTANCE: 5000 MΩ MIN.
DWV: 600 VAC
TEMPERATURE RATING: 125°C
- ② MATERIALS:
INSULATOR AND BACKSHELL: PPS PER MIL-M-24519 GST-40F, COLOR: BLK
PIN CONTACTS: C17200 BERYLLIUM COPPER PER ASTM B194, GOLD PLATED PER ASTM B488
24 AWG LEADS: TIN PLATED COPPER ALLOY PER A-A-59551 TYPE S
HARDWARE: PASSIVATED STAINLESS STEEL IAW MIL-DTL-83513/5
- ① MARKINGS: UMI, UMI PART NO., AND DATE CODE TO BE MARKED ON EPOXY

NOTES: UNLESS OTHERWISE SPECIFIED

QUALITY SYMBOLS CRITICAL MAJOR NO SYMBOL = MINOR DIMENSION	UNLESS SPECIFIED: ALL DIMENSIONS IN INCHES	SCALE 4:1	DWG SIZE B	THIRD ANGLE PROJECTION	REVISE ON CAD ONLY	
	GENERAL TOLERANCES:	DRAWN BY & DATE JB 01/21/2013		TITLE MICRO-D CIRCUIT CONNECTOR, PLUG (PINS), STYLE 8, 9 POSITION CP8R09P07		
	3 PLACE ±.005 2 PLACE ±.01 ANGULAR ±2°	CHECKED BY & DATE DW 01/21/2013		MATERIAL ②		
	ALL EXTERNAL SPECIFICATIONS REFERENCED ON THIS DRAWING SHALL BE THE LATEST REVISION IN EFFECT	APPROVED BY & DATE DW 01/21/2013		ENG PROJECT #		
	Ulti-Mate CAGE CODE 58967	CAD FILENAME SD-836518817.slddrw		PART NO. 836518817	DRAWING NO. SD-836518817	
THIS DRAWING CONTAINS INFORMATION THAT IS PROPRIETARY TO ULTI-MATE INCORPORATED AND SHOULD NOT BE USED WITHOUT WRITTEN PERMISSION.				PART REV. -		