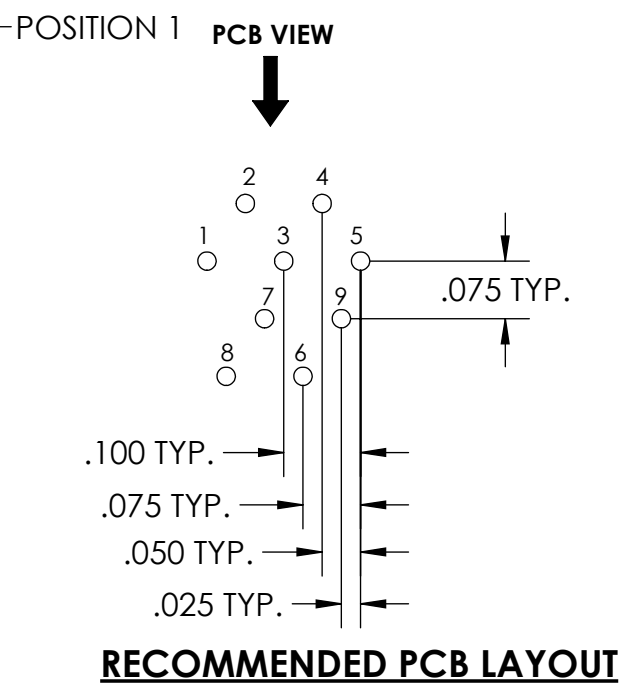
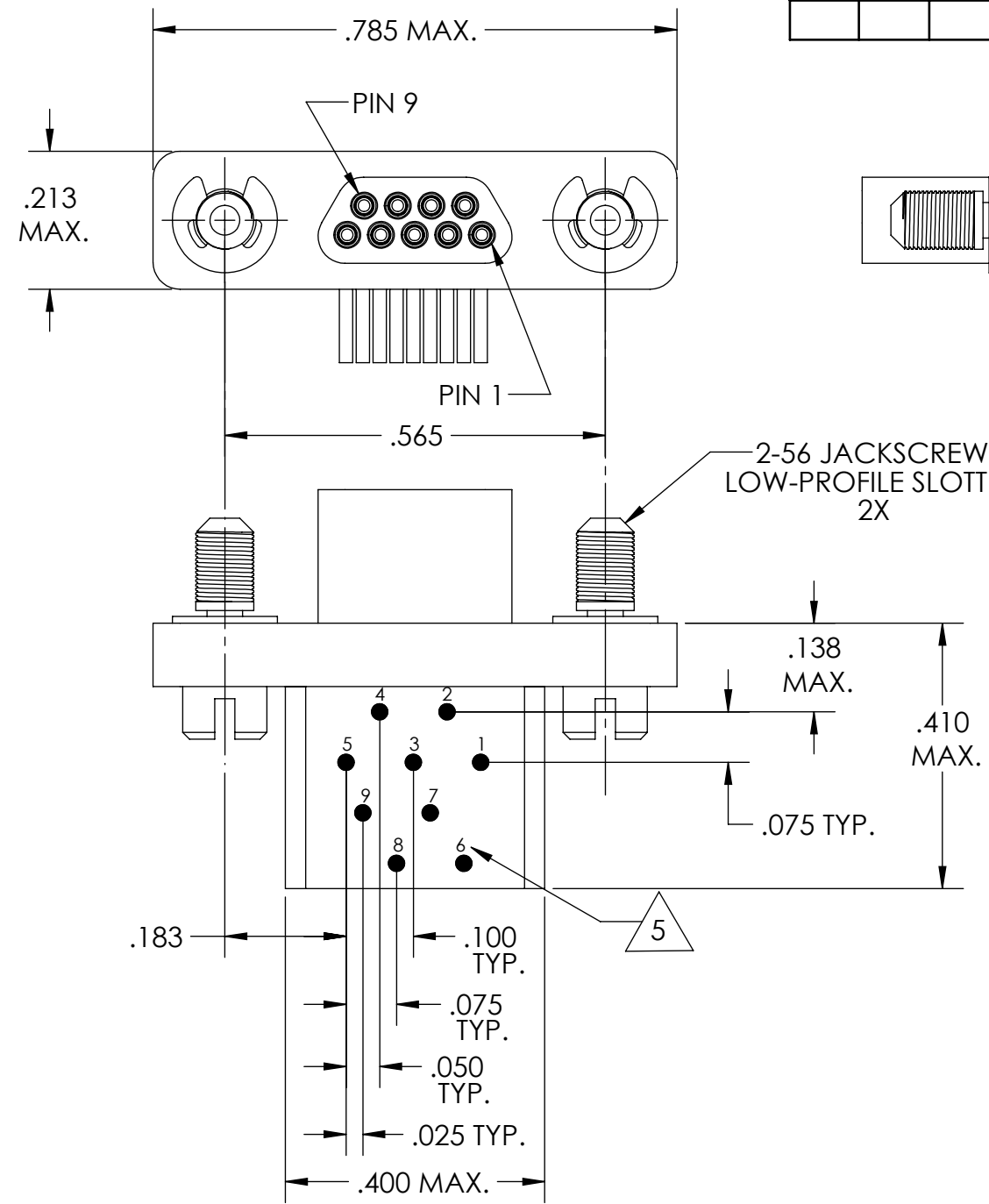
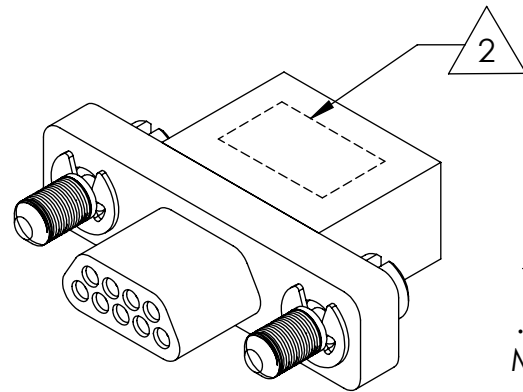
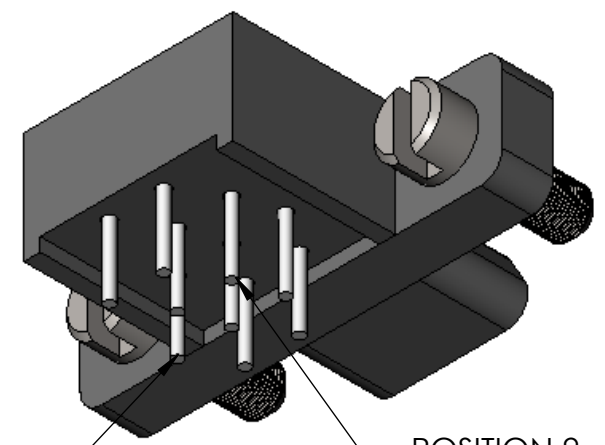


| PART REV | DWG ISSUE | DATE | ECN NO. | APPVD BY | REL BY |
|----------|-----------|----------|---------|----------|--------|
| - | - | 11/07/14 | UMI5462 | DW | DW |
| | | | | | |

F
E
D
C
B
A



- 5 LEAD LOCATION NUMBERS ARE REF. ONLY AND DO NOT APPEAR ON ACTUAL PART.
- 4. PERFORMANCE SPECIFICATIONS:
CURRENT RATING: 3 AMPS MAX.
INSULATION RESISTANCE: 5000 MEGOHMS MIN.
DWV: 600 VAC
TEMPERATURE RATING: 125° C
- 3 MATERIALS:
SHELL & BACKSHELL: PPS PER MIL-M-24519 GST-40F, COLOR: BLACK
PIN CONTACTS: C17200 BERYLLIUM COPPER PER ASTM B194, GOLD PLATED PER ASTM B488
24 AWG LEADS: TIN PLATED COPPER ALLOY PER A-A-59551, TYPE S
HARDWARE: PASSIVATED STAINLESS STEEL IAW MIL-DTL-83513/5
- 2 MARKING: "UMI", DATE CODE, UMI PART NUMBER

1. CONNECTOR ASSEMBLY IS IAW MIL-DTL-83513 UNLESS OTHERWISE SPECIFIED.

NOTES: UNLESS OTHERWISE SPECIFIED.

| | | | | | |
|--|---|------------------------------------|--|---------------------------|--------------------|
| QUALITY SYMBOLS CRITICAL C MAJOR NO SYMBOLS = MINOR DIMENSIONS | UNLESS OTHERWISE SPECIFIED: ALL DIMENSIONS ARE IN INCHES | SCALE: 4:1 | DWG SIZE: B | THIRD ANGLE PROJECTION | REVISE ON CAD ONLY |
| | GENERAL TOLERANCES: 3 PLACES ±.005 2 PLACES ±.01 ANGULAR ±2° | DRAWN BY & DATE: DU 11/07/14 | TITLE: MICRO-D CIRCUIT CONNECTOR, CP18R09P05 | | |
| | ULTI-MATE CAGE CODE: 58967 | CHECKED BY & DATE: DW 11/07/14 | MATERIAL: 3 | ENG PROJECT #: NONE | |
| | | APPROVED BY & DATE: DW 11/07/14 | PART NO.: 836518015 | DRAWING NO.: SD-836518015 | |
| | | CAD FILE NAME: SD-836518015.SLDDRW | PART NO.: 836518015 | DRAWING NO.: SD-836518015 | SHEET NO.: 1 of 1 |
| THIS DRAWING CONTAINS INFORMATION THAT IS PROPRIETARY TO ULTI-MATE INCORPORATED AND SHOULD NOT BE USED WITHOUT WRITTEN PERMISSION. | | | | | PART REV.: - |