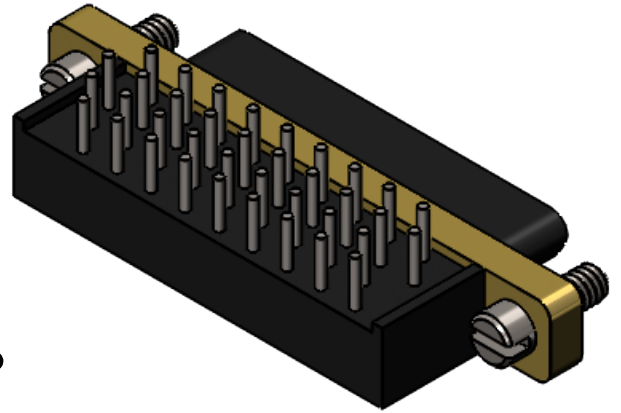
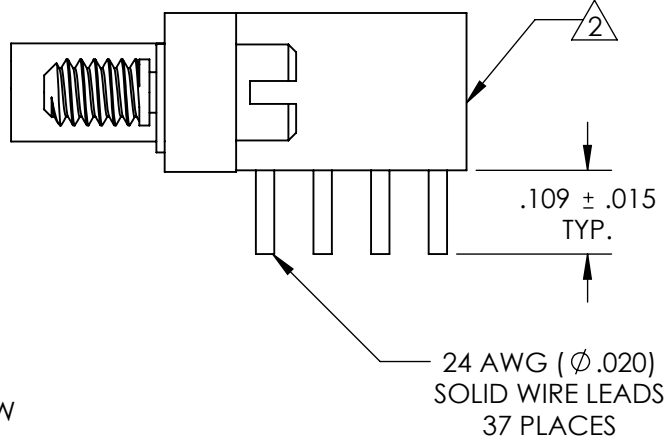
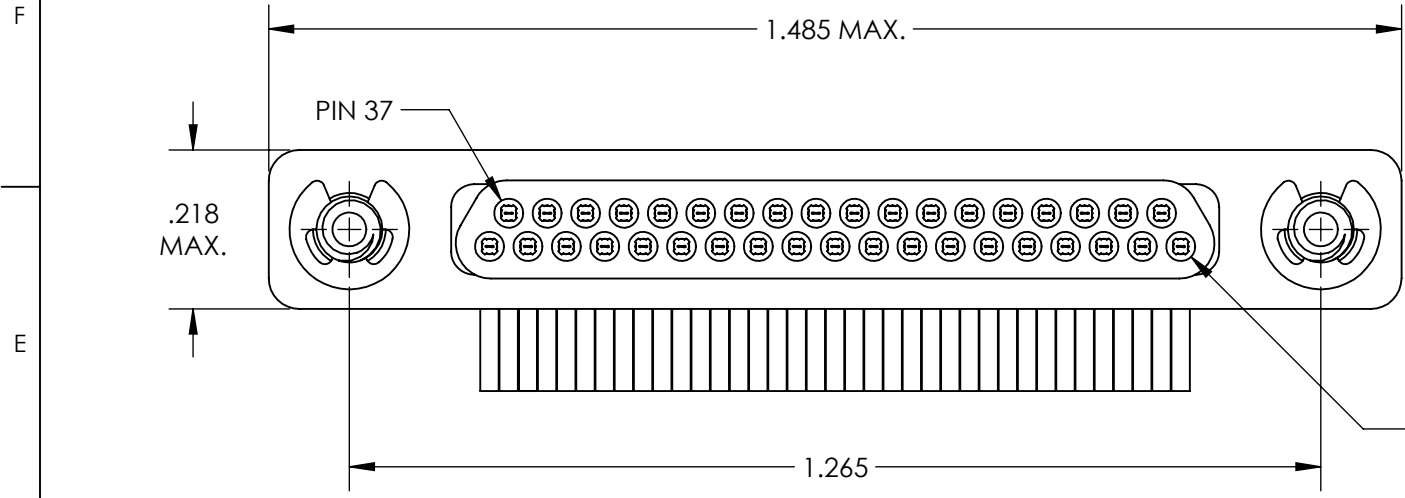
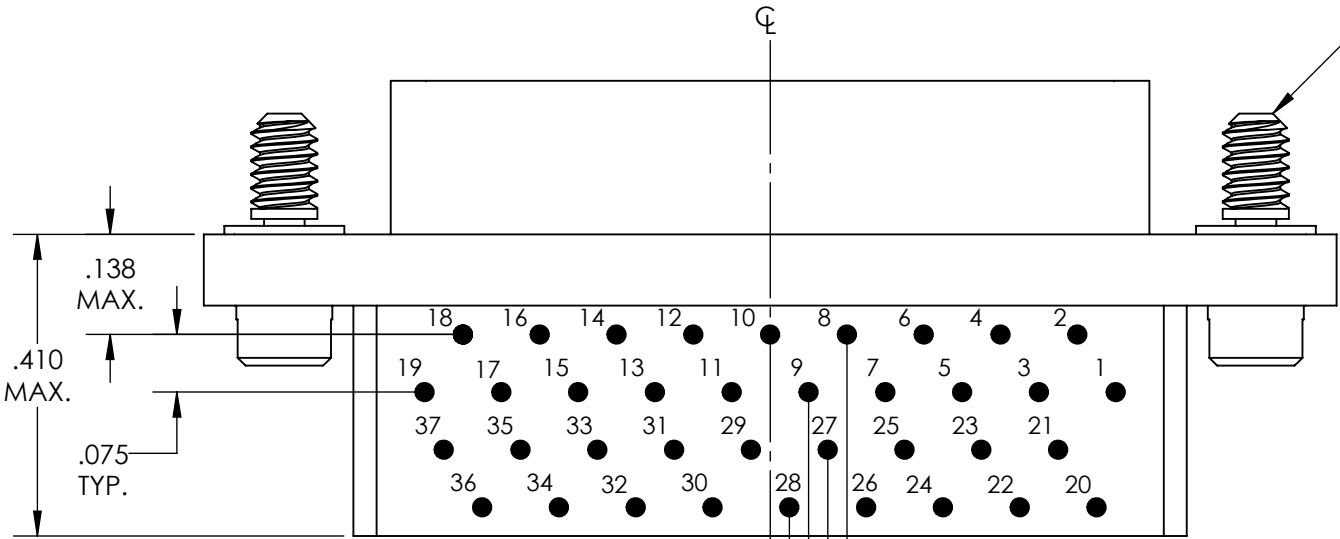
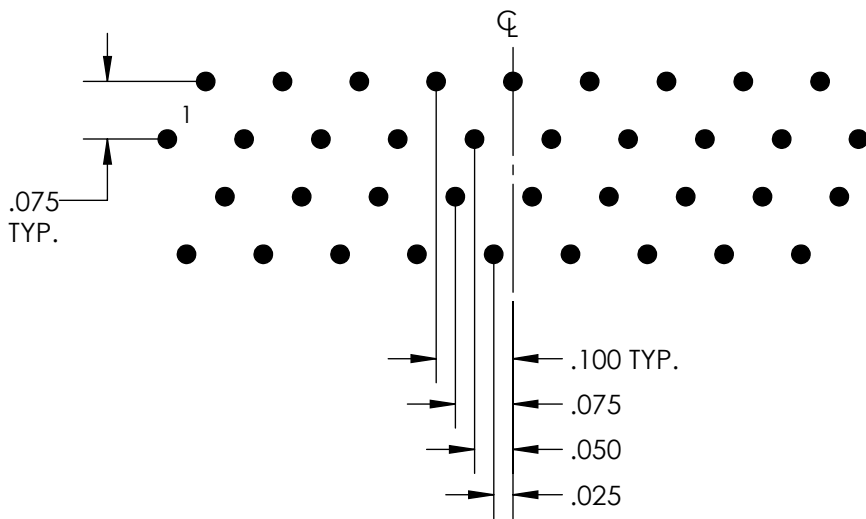


REVISIONS

PART REV.	DWG. ISSUE	DATE	ECN NO.	APPVD. BY	REL. BY
B	B	02/07/2006	UMI3281	DW	DW
C	C	10/09/2014	UMI5438	DW	DW
C	D	2/19/2020	UMI7403	JA	DW



RECOMMENDED PCB LAYOUT



4. PERFORMANCE SPECIFICATIONS:
 CURRENT RATING: 3A MAX.
 INSULATION RESISTANCE: 5000 MΩ MIN.
 DWV: 600 VAC
 TEMPERATURE RATING: 125°C

3 MATERIALS:
 SHELL: 6061-T6 ALUMINUM PER AMS-QQ-A200/8, CADMIUM PLATED PER AMS-QQ-P-416
 INSULATOR AND BACKSHELL: PPS PER MIL-M-24519 GST-40F, COLOR: BLK
 PIN CONTACTS: C17200 BERYLLIUM COPPER PER ASTM B194, GOLD PLATED PER ASTM B488
 24 AWG LEADS: TIN PLATED COPPER ALLOY PER A-A-59551 TYPE S
 HARDWARE: PASSIVATED STAINLESS STEEL IAW MIL-DTL-83513/5

2 MARKINGS:
 IF PURCHASED BY ROCKWELL COLLINS:
 "09344 PC78806-4"
 "58967"
 DATE CODE
 WORK ORDER NUMBER
 IF PURCHASED BY OTHER CUSTOMERS:
 "UMI"
 "UMI PART NUMBER"
 DATE CODE

1. CONNECTOR ASSEMBLY IS IAW MIL-DTL-83513 UNLESS OTHERWISE SPECIFIED

NOTES: UNLESS OTHERWISE SPECIFIED

QUALITY SYMBOLS CRITICAL MAJOR NO SYMBOL = MINOR DIMENSION	UNLESS SPECIFIED: ALL DIMENSIONS IN INCHES	SCALE 4:1	DWG SIZE B	THIRD ANGLE PROJECTION	REVISE ON CAD ONLY	
	GENERAL TOLERANCES: 3 PLACE ±.005 2 PLACE ±.01 ANGULAR ±2°	DRAWN BY & DATE DU 02/11/1999	TITLE MICRO-D CIRCUIT CONNECTOR, RECEPTACLE, LOW PROFILE, SIZE 37 CAP18R37S05/PC78806-4		MATERIAL 3	
	ALL EXTERNAL SPECIFICATIONS REFERENCED ON THIS DRAWING SHALL BE THE LATEST REVISION IN EFFECT	CHECKED BY & DATE SEE ECN	APPROVED BY & DATE SEE ECN		ENG PROJECT #	SHEET NO. 1 OF 1
	Ulti-Mate CAGE CODE 58967	CAD FILENAME SD-836360015.slddrw	PART NO. 836360015	DRAWING NO. SD-836360015	Ulti-Mate Connector Inc.	
	THIS DRAWING CONTAINS INFORMATION THAT IS PROPRIETARY TO ULTI-MATE INCORPORATED AND SHOULD NOT BE USED WITHOUT WRITTEN PERMISSION.		PART REV. C		DRAWING NO. SD-836360015	