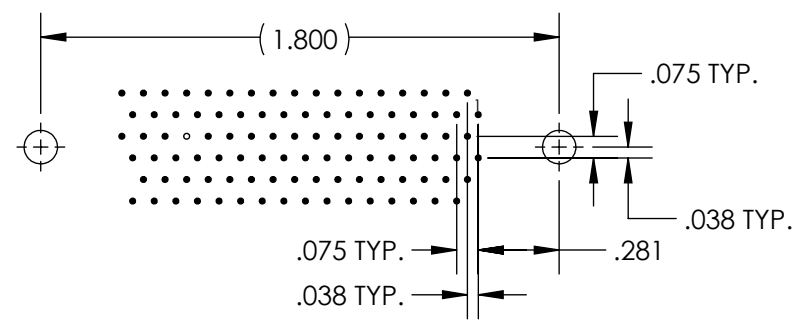
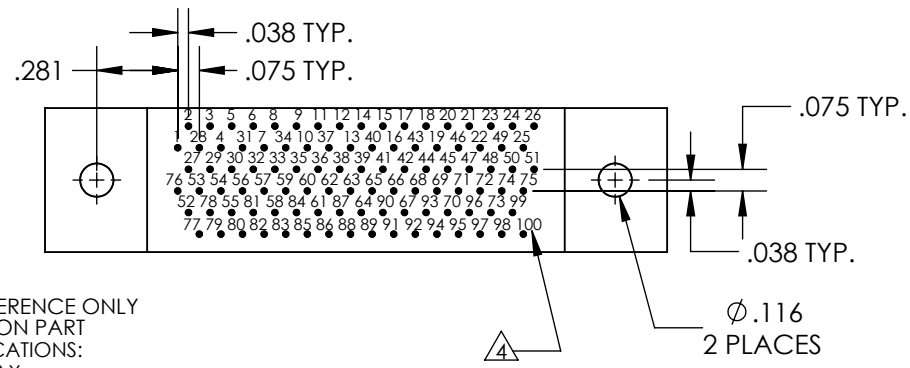
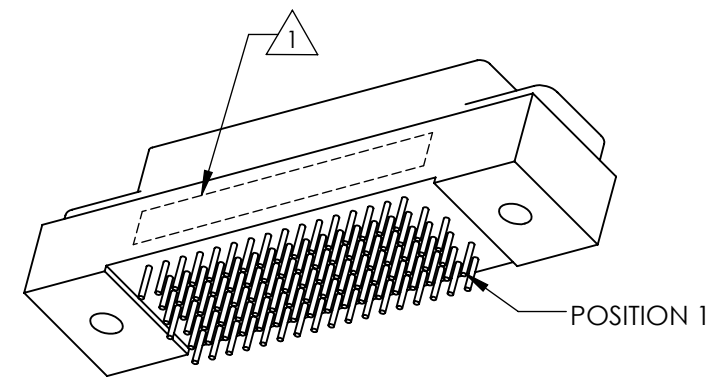
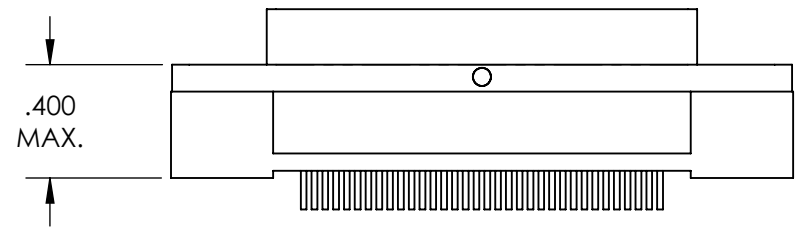
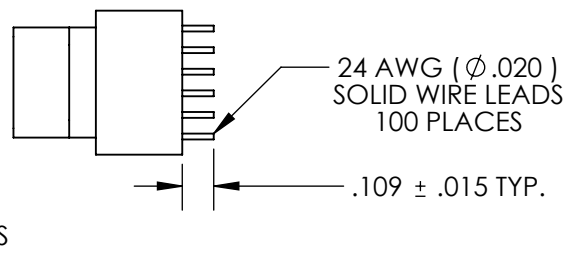
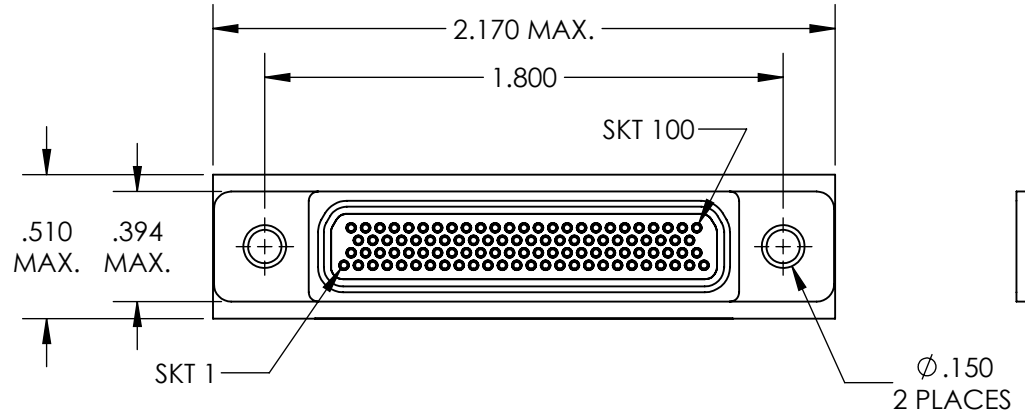


REVISIONS			
DWG. ISSUE	PART REV.	ECN NO.	DATE
-	-	UMI4781	11/8/2012
A	-	UMI6534	3/21/2018



- ④ NUMBERS ARE FOR REFERENCE ONLY AND DO NOT APPEAR ON PART
- 3. PERFORMANCE SPECIFICATIONS:
CURRENT RATING: 3A MAX.
INSULATION RESISTANCE: 5000 MΩ MIN.
DWV: 600 VAC
TEMPERATURE RATING: 125°C
CONTACT RESISTANCE: 8 mΩ MAX AT 2.5 AMPS

- ② MATERIALS:
SHELL: 6061-T6 ALUMINUM PER AMS-QQ-A200/8, CADMIUM PLATED PER AMS-QQ-P-416
INSULATOR AND BACKSHELL: PPS PER MIL-M-24519 GST-40F, COLOR: BLK
SOCKET CONTACTS: C21000 BRASS ALLOY PER ASTM B36, GOLD PLATED PER ASTM B488
24 AWG LEADS: TIN PLATED COPPER ALLOY PER A-A-59551 TYPE S
INTERFACIAL SEAL: FLUOROSILICONE PER MIL-R-25988

- ① MARKING: "UMI", UMI PART NUMBER, DATE CODE, UMI WORK ORDER NUMBER
- NOTES: UNLESS OTHERWISE SPECIFIED

QUALITY SYMBOLS MAJOR CRITICAL SPC	UNLESS SPECIFIED: ALL DIMENSIONS IN INCHES	SCALE 3:2	DWG SIZE A	THIRD ANGLE PROJECTION	REVISE ON CAD ONLY
	GENERAL TOLERANCES: 3 PLACE ±.005 2 PLACE ±.01 ANGULAR ±2°	DRAWN BY & DATE J.BUZOIANU 11/8/2012	TITLE MICRO-D CONNECTOR, RECEPTACLE, CIRCUIT SERIES, STYLE 6, SIZE 100 CM6R100S0		
	Uti-Mate CAGE CODE 58967	CHECKED BY & DATE	MATERIAL ②	PART NO. 836280610	
		CAD FILENAME SD-836280610.sldrw	DRAWING NO. SD-836280610	SHEET NO. 1 OF 1	PART REV. -

THIS DRAWING CONTAINS INFORMATION THAT IS PROPRIETARY TO ULTI-MATE INCORPORATED AND SHOULD NOT BE USED WITHOUT WRITTEN PERMISSION.