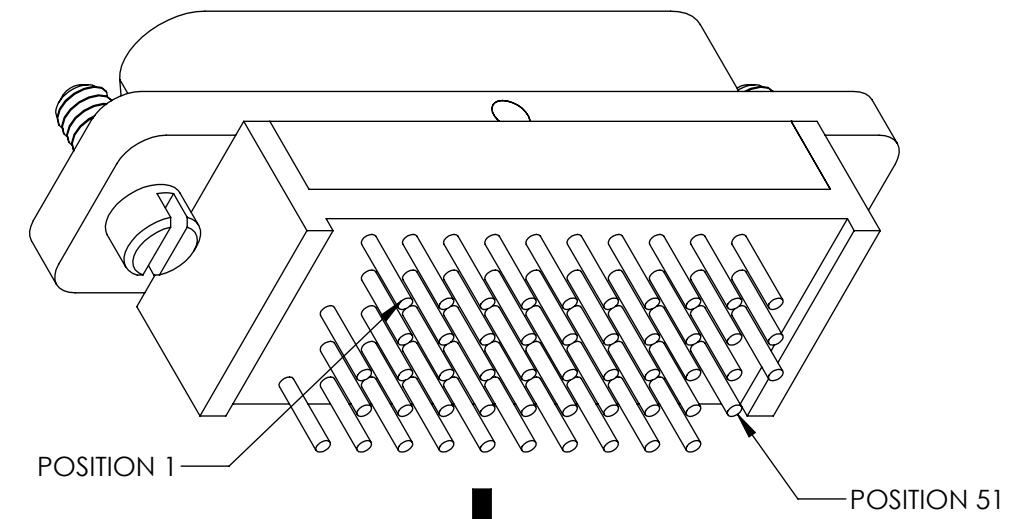
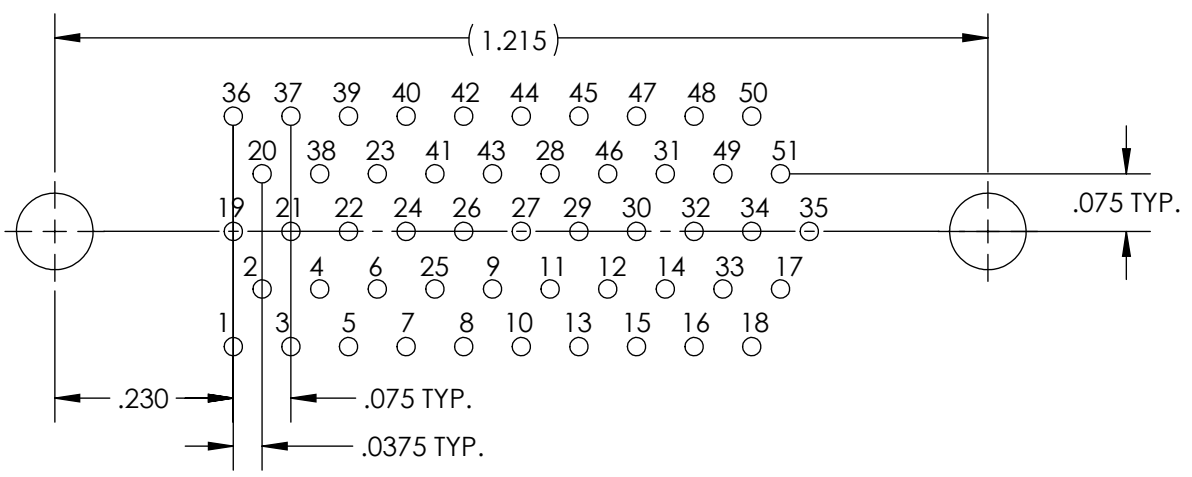


| PART REV | DWG ISSUE | DATE | ECN NO. | APPVD BY | REL BY |
|----------|-----------|----------|---------|----------|--------|
| A | A | 10/10/16 | UMI6106 | DW | DW |

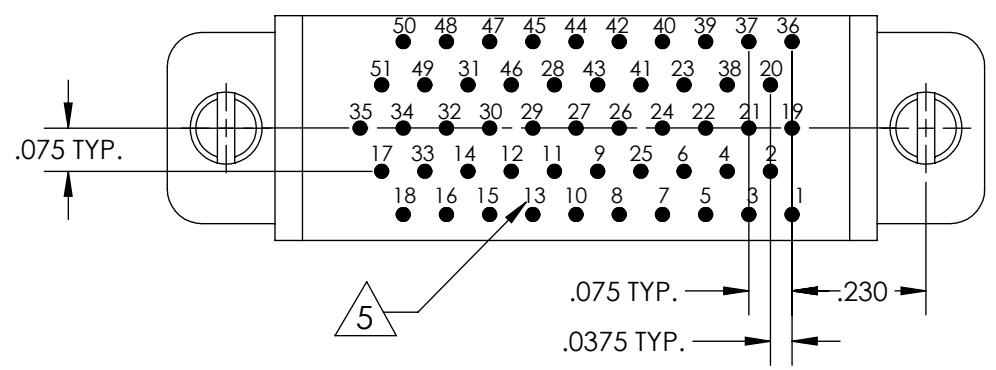
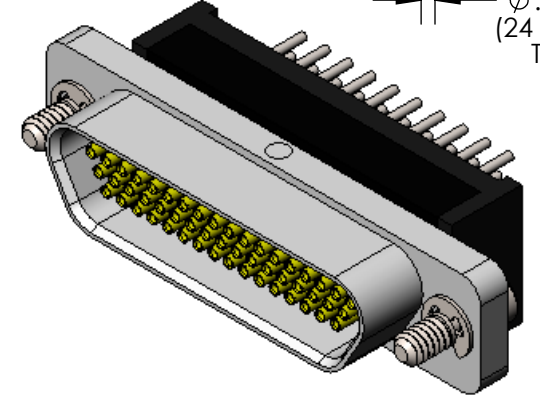
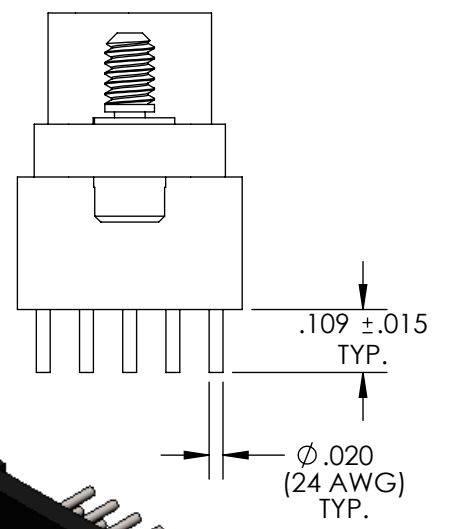
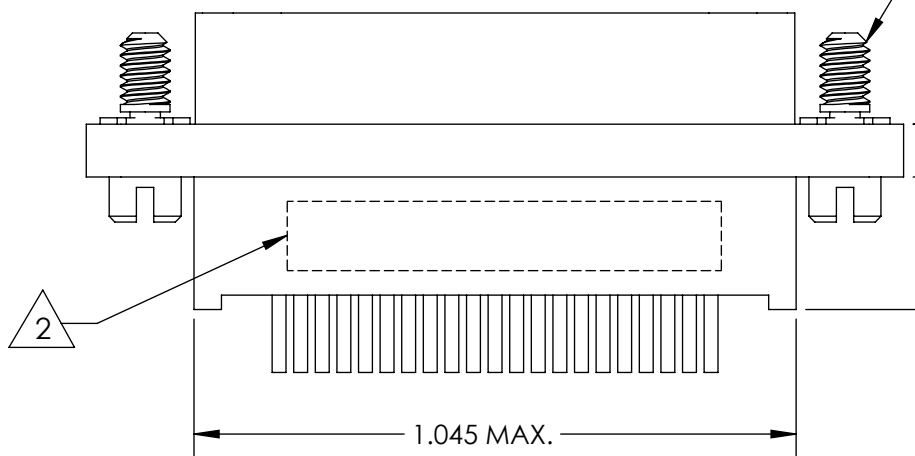
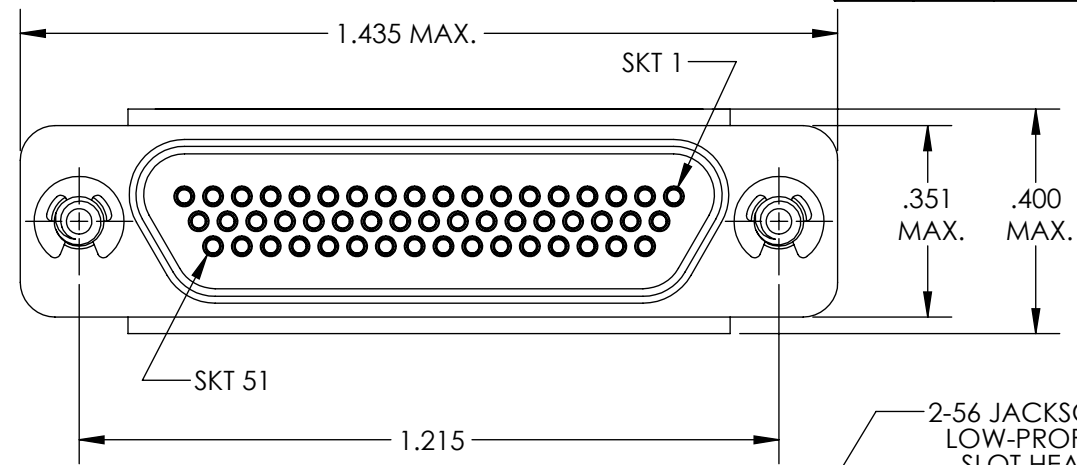
F
E
D
C
B
A



PCB VIEW



RECOMMENDED PCB LAYOUT



5 NUMBERS, (LEAD LOCATIONS), ARE SHOWN FOR REFERENCE ONLY AND DO NOT APPEAR ON ACTUAL PART.

4. PERFORMANCE SPECIFICATIONS:
CURRENT RATING: 3 AMPS MAX.
DWV: 600 VAC
TEMPERATURE RATING: 125° C

3 MATERIALS:
SHELL: 6061-T6 ALUMINUM PER AMS-QQ-A200/8, NICKEL PLATED PER AMS-2404
INSULATOR AND BACKSHELL: PPS PER MIL-M-24519 GST-40F, COLOR: BLACK
SOCKET CONTACTS: C21000 COPPER ALLOY PER ASTM B36, GOLD PLATED PER ASTM B488
24 AWG LEADS: TIN PLATED COPPER ALLOY PER A-A-59551, TYPE S
HARDWARE: PASSIVATED STAINLESS STEEL IAW MIL-DTL83513/5
INTERFACIAL SEAL: FLUOROSILICONE PER MIL-R-25988

2 MARKING: "UMI", DATE CODE, UMI PART NUMBER, UMI WORK ORDER NUMBER

1. CONNECTOR ASSEMBLY IS IAW MIL-DTL-83513 UNLESS OTHERWISE SPECIFIED.

NOTES: UNLESS OTHERWISE SPECIFIED.

| | | | | | |
|---|---|---------------------------------------|--|-----------------------------|--------------------|
| QUALITY SYMBOLS CRITICAL MAJOR NO SYMBOLS = MINOR DIMENSIONS | UNLESS OTHERWISE SPECIFIED: ALL DIMENSIONS ARE IN INCHES | SCALE 3 : 1 | DWG SIZE B | THIRD ANGLE PROJECTION | REVISE ON CAD ONLY |
| | GENERAL TOLERANCES: 3 PLACES ±.005 2 PLACES ±.01 ANGULAR ±2° | DRAWN BY & DATE DU 10/10/16 | TITLE: MICRO-D CIRCUIT CONNECTOR, CM16R51-3S05-S01, JACKSCREWS, .109 LEADS, NICKEL PLATED SHELL | | |
| | ULTI-MATE CAGE CODE 58967 | CHECKED BY & DATE DW 10/10/16 | MATERIAL: 3 | ENG PROJECT #: NONE | |
| | | APPROVED BY & DATE DW 10/10/16 | PART NO. 836271715 | DRAWING NO. SD-836271715 | |
| | | CAD FILE NAME SD-836271715.sliddrw | THIS DRAWING CONTAINS INFORMATION THAT IS PROPRIETARY TO ULTI-MATE INCORPORATED AND SHOULD NOT BE USED WITHOUT WRITTEN PERMISSION. | | |