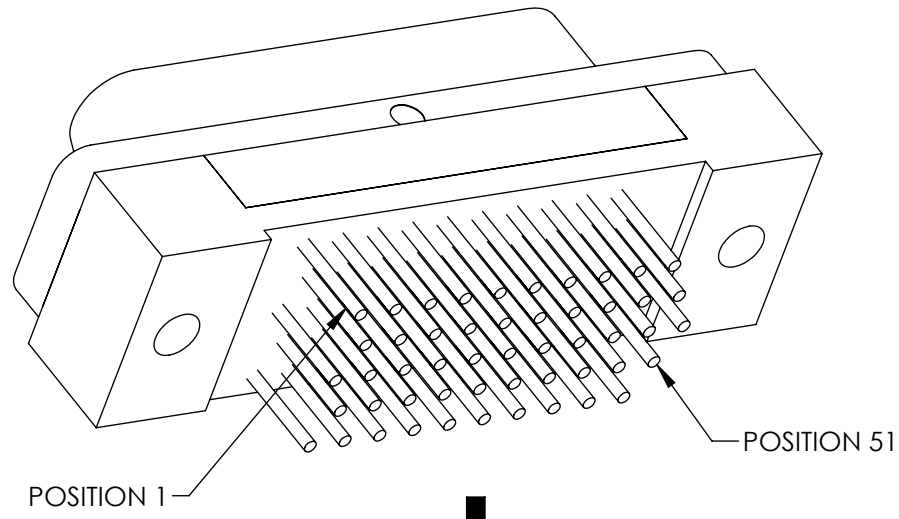
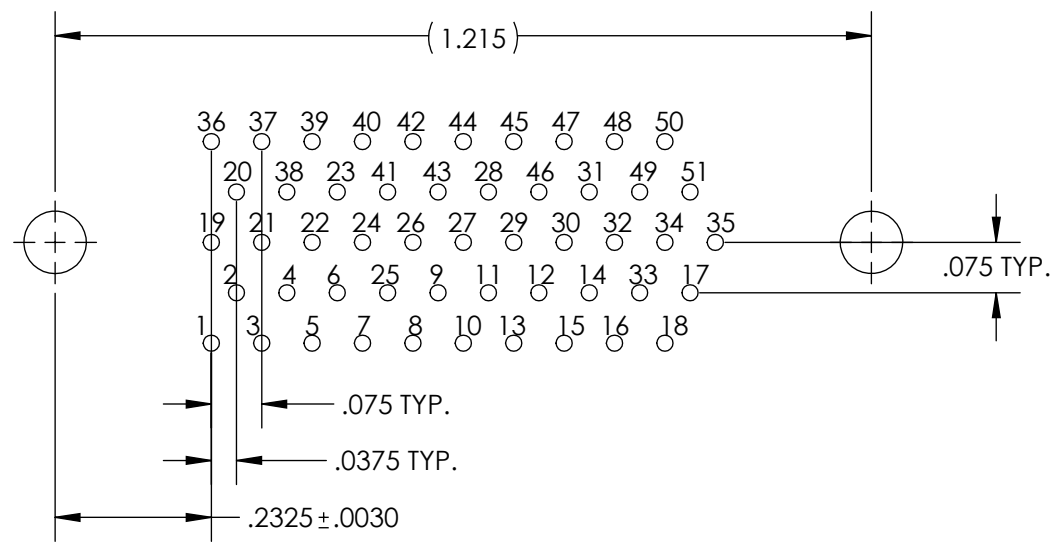


PART REV	DWG ISSUE	DATE	ECN NO.	APPVD BY	REL BY
-	-	5/6/16	UMI5965	DW	DW
-	A	1-17-17	UMI6208	DW	DW

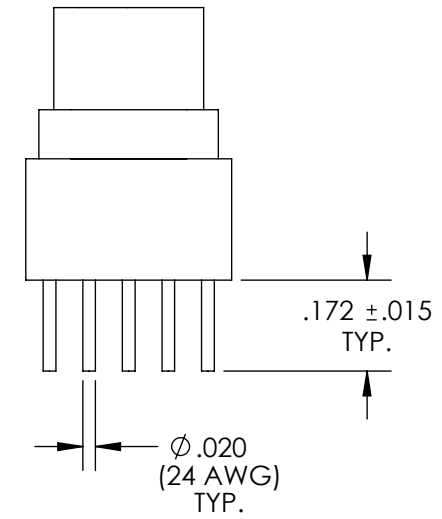
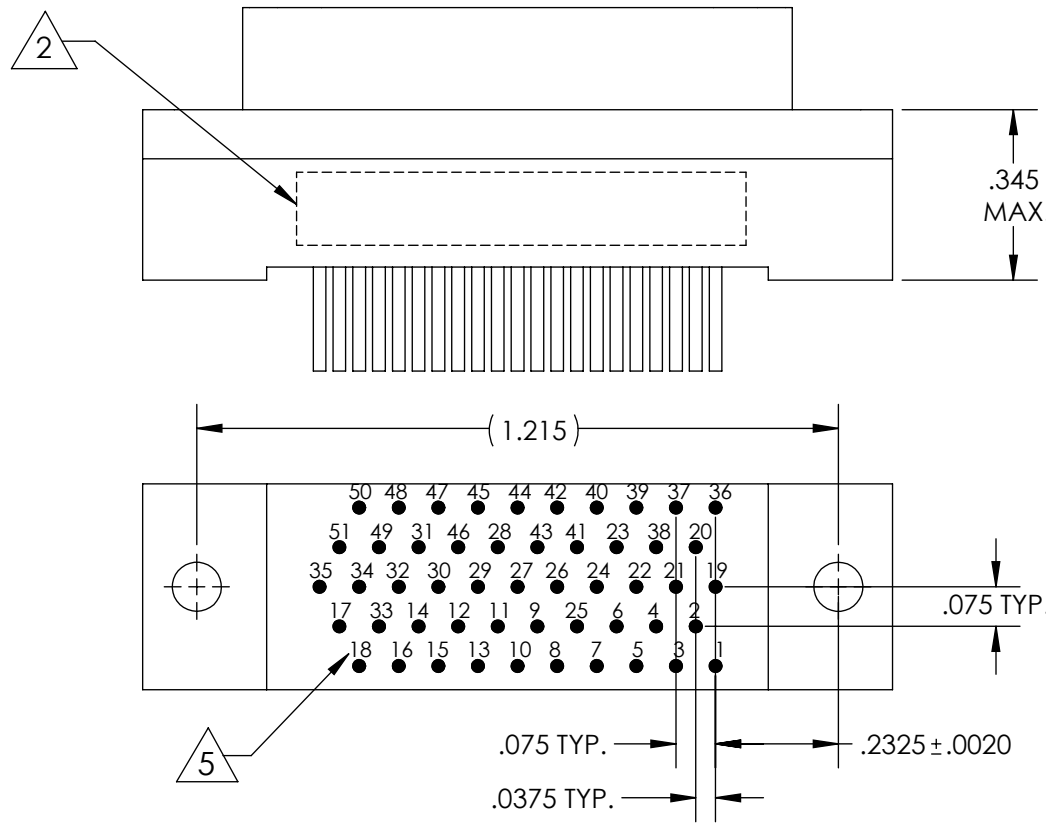
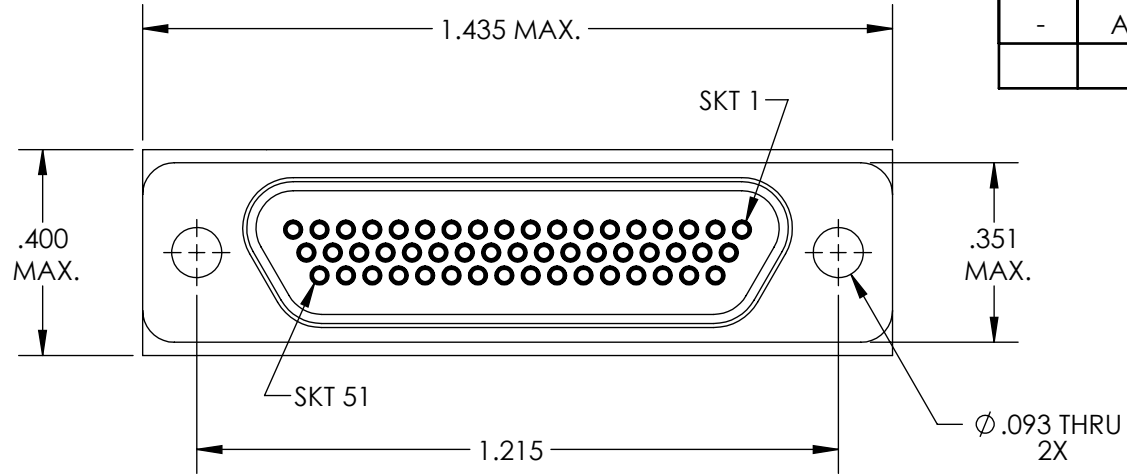
F
E
D
C
B
A



PCB VIEW



RECOMMENDED PCB LAYOUT



5 NUMBERS, (LEAD LOCATIONS), ARE SHOWN FOR REFERENCE ONLY AND DO NOT APPEAR ON ACTUAL PART.

4. PERFORMANCE SPECIFICATIONS:
CURRENT RATING: 3 AMPS MAX.
DWV: 600 VAC
TEMPERATURE RATING: 125° C

3 MATERIALS:
SHELL: 6061-T6 ALUMINUM PER AMS-QQ-A200/8, CADMIUM PLATED PER AMS-QQ-P-416
INSULATOR AND BACKSHELL: PPS PER MIL-M-24519 GST-40F, COLOR: BLACK
SOCKET CONTACTS: C21000 COPPER ALLOY PER ASTM B36, GOLD PLATED PER ASTM B488
24 AWG LEADS: TIN PLATED COPPER ALLOY PER A-A-59551, TYPE S
INTERFACIAL SEAL: FLOUROSILICONE PER MIL-R-25988

2 MARKING: "UMI", DATE CODE, UMI PART NUMBER, UMI WORK ORDER NUMBER

1. CONNECTOR ASSEMBLY IS IAW MIL-DTL-83513 UNLESS OTHERWISE SPECIFIED.

NOTES: UNLESS OTHERWISE SPECIFIED.

QUALITY SYMBOLS CRITICAL MAJOR NO SYMBOLS = MINOR DIMENSIONS	UNLESS OTHERWISE SPECIFIED: ALL DIMENSIONS ARE IN INCHES	SCALE NONE	DWG SIZE B	THIRD ANGLE PROJECTION	REVISE ON CAD ONLY	
	GENERAL TOLERANCES: 3 PLACES ±.005 2 PLACES ±.01 ANGULAR ±2°	DRAWN BY & DATE DU 5/6/16		TITLE: MICRO-D CIRCUIT CONNECTOR, CM6R51-3S0-.172, NO HARDWARE, CADMIUM PLATED SHELL		
		CHECKED BY & DATE DW 5/6/16		MATERIAL: 3	ENG PROJECT #: NONE	
		APPROVED BY & DATE DW 5/6/16			Uti-Mate Connector Inc.	
	ULTI-MATE CAGE CODE 58967	CAD FILE NAME SD-836270630.sliddrw	PART NO. 836270630	DRAWING NO. SD-836270630	SHEET NO. 1 of 1	
THIS DRAWING CONTAINS INFORMATION THAT IS PROPRIETARY TO ULTI-MATE INCORPORATED AND SHOULD NOT BE USED WITHOUT WRITTEN PERMISSION.						