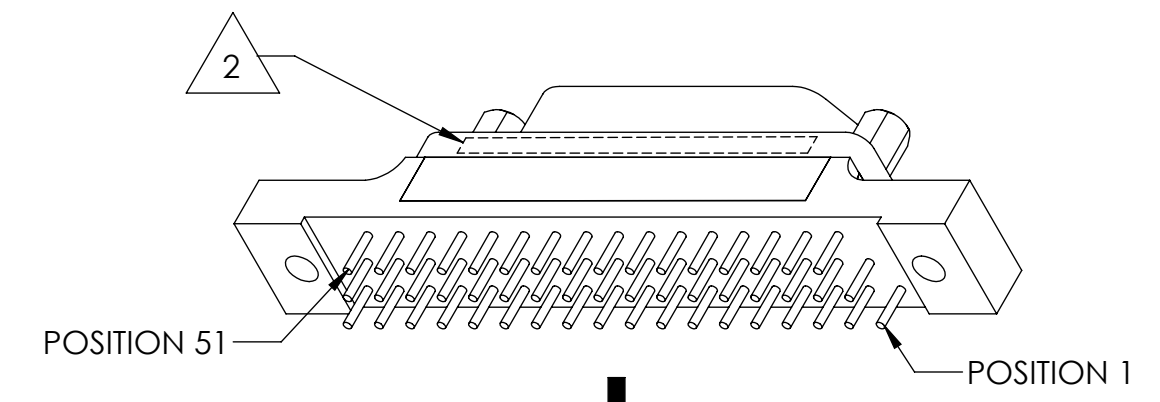
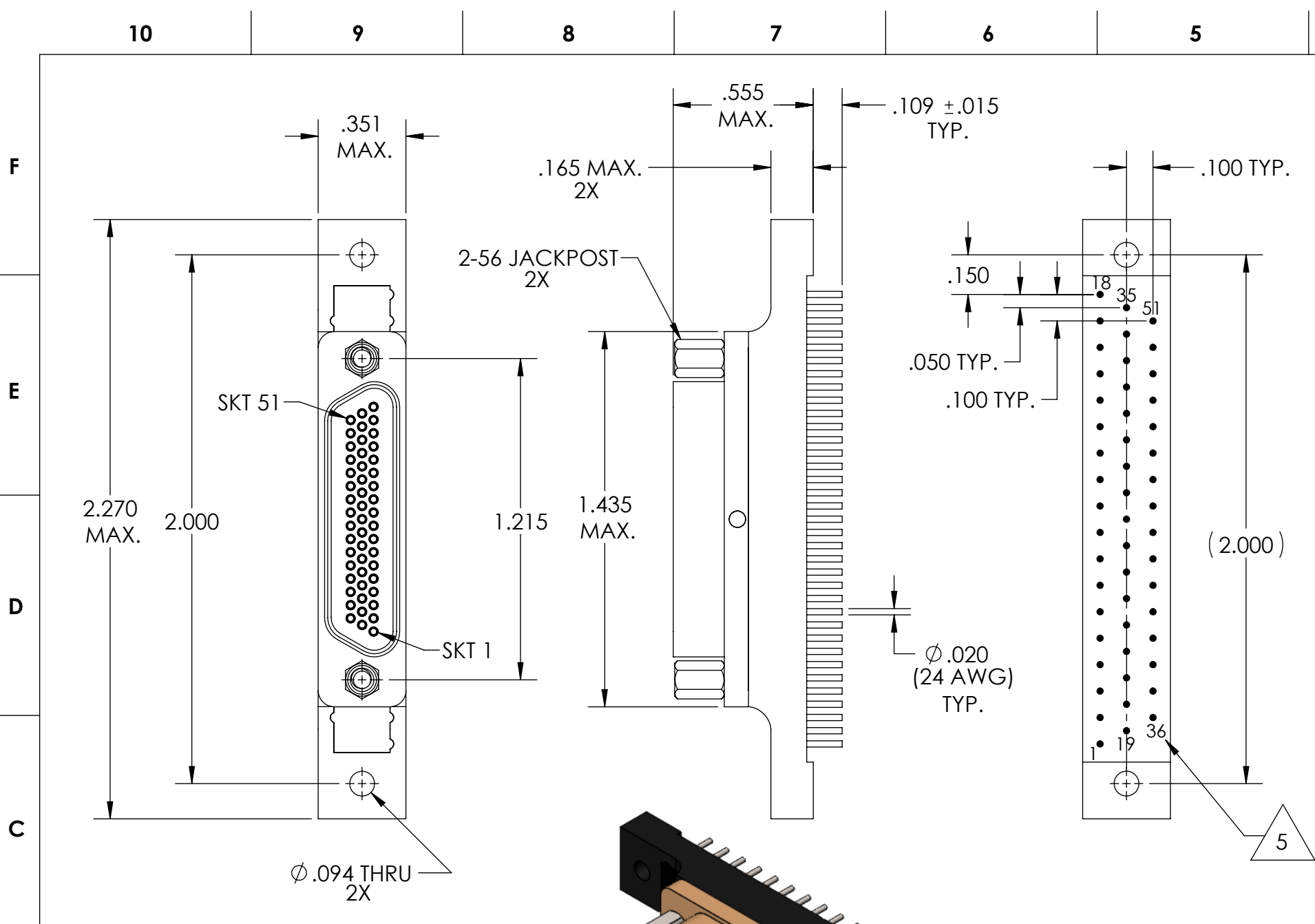
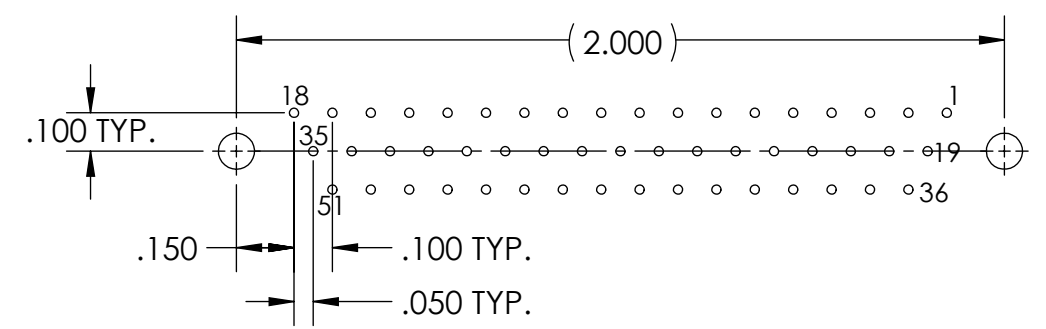


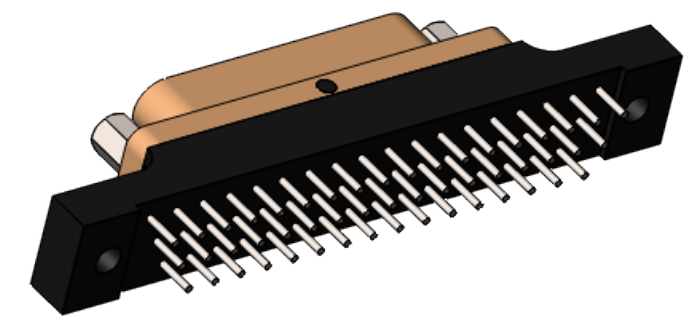
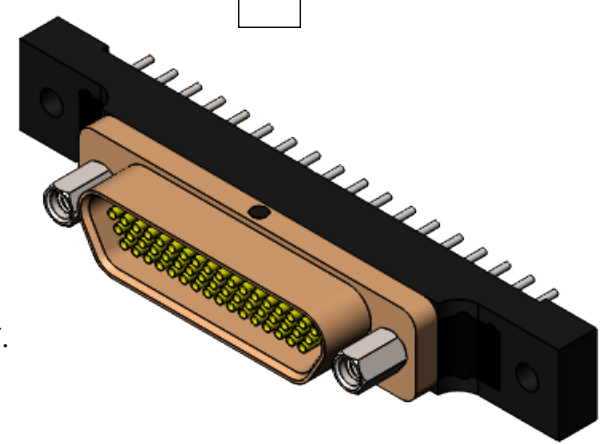
PART REV	DWG ISSUE	DATE	ECN NO.	APPVD BY	REL BY
-	-	1/22/20	UMI7373	DU	DW



PCB VIEW



RECOMMENDED PCB LAYOUT



6. CONTACT HEIGHTS ARE TO BE PER QA-STD-101.

5 NUMBERS, (LEAD LOCATIONS), ARE SHOWN FOR REFERENCE ONLY AND DO NOT APPEAR ON ACTUAL PART.

4. PERFORMANCE SPECIFICATIONS:
 CURRENT RATING: 3 AMPS MAX.
 DWV: 600 VAC
 TEMPERATURE RATING: -55°C TO 125°C

3 MATERIALS:
 SHELL: 6061-T6 ALUMINUM PER AMS-QQ-A200/8, CADMIUM PLATED PER AMS-QQ-P-416
 INSULATOR/BAKSHELL: PPS PER MIL-M-24519 GST-40F, COLOR BLACK
 SOCKET CONTACTS: C21000 COPPER ALLOY PER ASTM B36, GOLD PLATED PER ASTM B488
 24 AWG LEADS: TIN PLATED COPPER ALLOY PERA-A-59551, TYPE S
 HARDWARE: PASSIVATED STAINLESS STEEL IAW MIL-DTL-83513/5
 INTERFACIAL SEAL: FLUOROSILICONE PER MIL-R-25988

2 MARKING: "UMI", UMI PART NUMBER, DATE CODE, UMI WORK ORDER NUMBER

1. CONNECTOR ASSEMBLIES ARE IAW MIL-DTL-83513 UNLESS OTHERWISE SPECIFIED.

NOTES: UNLESS OTHERWISE SPECIFIED.

QUALITY SYMBOLS CRITICAL MAJOR NO SYMBOLS = MINOR DIMENSIONS	UNLESS OTHERWISE SPECIFIED: ALL DIMENSIONS ARE IN INCHES	SCALE NONE	DWG SIZE B	THIRD ANGLE PROJECTION	REVISE ON CAD ONLY	
	GENERAL TOLERANCES: 3 PLACES ±.005 2 PLACES ±.01 ANGULAR ±2° ULTI-MATE CAGE CODE 58967	DRAWN BY & DATE DU 1/22/20	TITLE: MICRO-D CIRCUIT CONNECTOR, CM4R51-3S07, CADMIUM PLATED SHELL			
		CHECKED BY & DATE DW 1/22/20	MATERIAL:	ENG PROJECT #: NONE		
		APPROVED BY & DATE DW 1/22/20	PART NO. 836270417	DRAWING NO. SD-836270417	SHEET NO. 1 of 1	
		CAD FILE NAME SD-836270417.slddrw	THIS DRAWING CONTAINS INFORMATION THAT IS PROPRIETARY TO ULTI-MATE INCORPORATED AND SHOULD NOT BE USED WITHOUT WRITTEN PERMISSION.			