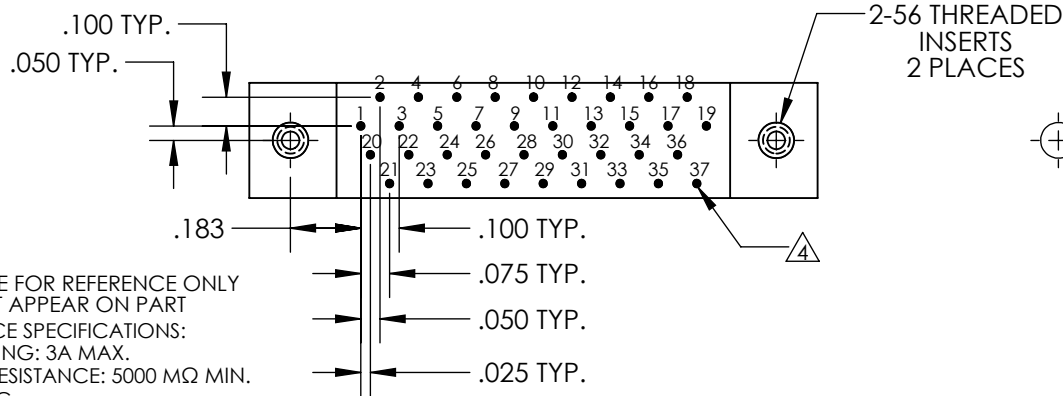
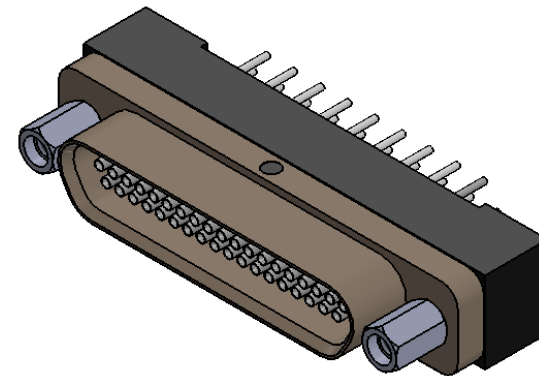
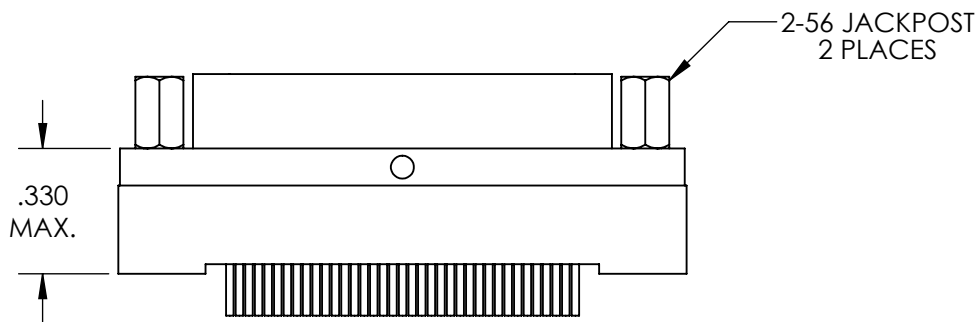
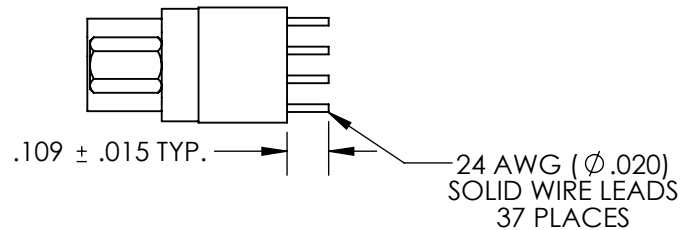
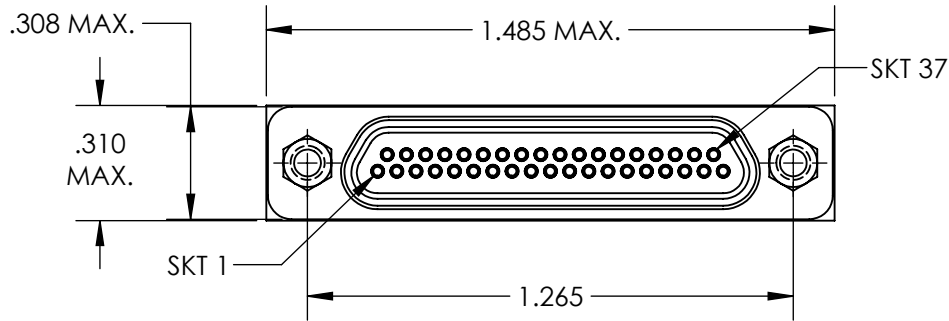
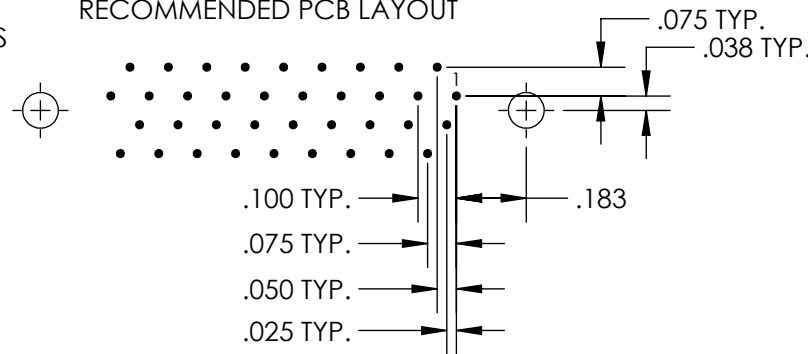


REVISIONS

DWG. ISSUE	PART REV.	ECN NO.	DATE
-	-	UMI4796	11/15/2012



RECOMMENDED PCB LAYOUT



- 4 NUMBERS ARE FOR REFERENCE ONLY AND DO NOT APPEAR ON PART
- 3. PERFORMANCE SPECIFICATIONS:
CURRENT RATING: 3A MAX.
INSULATION RESISTANCE: 5000 MΩ MIN.
DWV: 600 VAC
TEMPERATURE RATING: 125°C
CONTACT RESISTANCE: 8 mΩ MAX AT 2.5 AMPS

MATERIALS:

SHELL: 6061-T6 ALUMINUM PER AMS-QQ-A200/8, CADMIUM PLATED PER AMS-QQ-P-416
INSULATOR AND BACKSHELL: PPS PER MIL-M-24519 GST-40F, COLOR: BLK
SOCKET CONTACTS: C21000 BRASS ALLOY PER ASTM B36, GOLD PLATED PER ASTM B488
24 AWG LEADS: TIN PLATED COPPER ALLOY PER A-A-59551 TYPE S
HARDWARE: PASSIVATED STAINLESS STEEL IAW MIL-DTL-83513/5
INTERFACIAL SEAL: FLUOROSILICONE PER MIL-R-25988

1. MARKINGS: UMI, UMI PART NO., AND DATE CODE

NOTES: UNLESS OTHERWISE SPECIFIED

QUALITY SYMBOLS MAJOR CRITICAL SPC	UNLESS SPECIFIED: ALL DIMENSIONS IN INCHES	SCALE 2:1	DWG SIZE A	THIRD ANGLE PROJECTION	REVISE ON CAD ONLY
	GENERAL TOLERANCES: 3 PLACE ±.005 2 PLACE ±.01 ANGULAR ±2°	DRAWN BY & DATE J.BUZOIANU 11/15/2012	TITLE MICRO-D CONNECTOR, RECEPTACLE, STYLE 6, SIZE 37 CM6R37S071		
	Uti-Mate CAGE CODE 58967	CHECKED BY & DATE	MATERIAL	PART NO. 836260618	
		CAD FILENAME SD-836260618.sldrw	DRAWING NO. SD-836260618	SHEET NO. 1 OF 1	PART REV. -

THIS DRAWING CONTAINS INFORMATION THAT IS PROPRIETARY TO ULTI-MATE INCORPORATED AND SHOULD NOT BE USED WITHOUT WRITTEN PERMISSION.