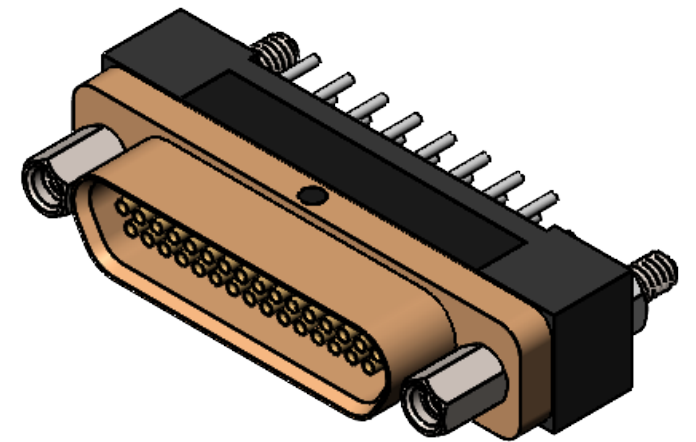
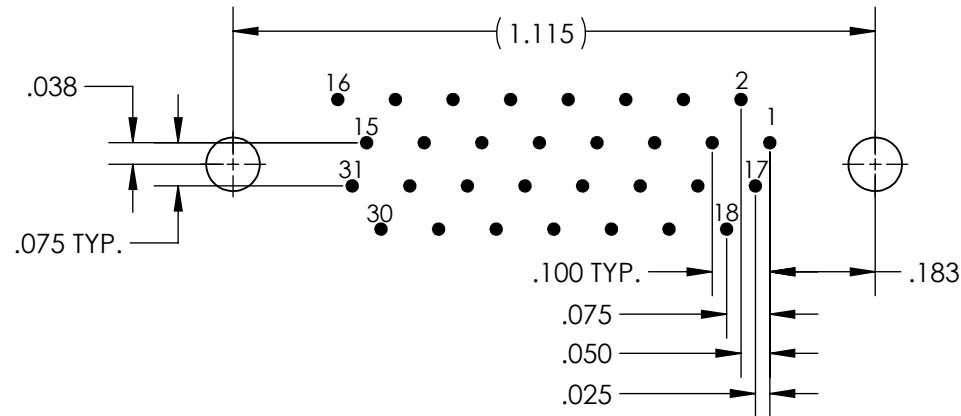
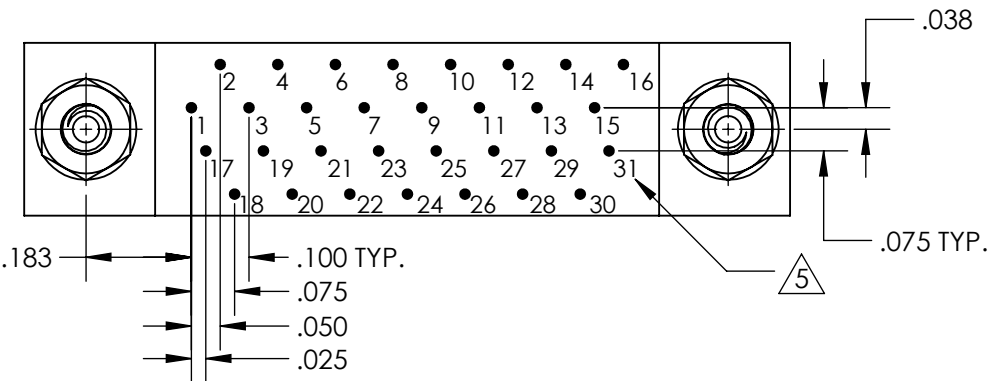
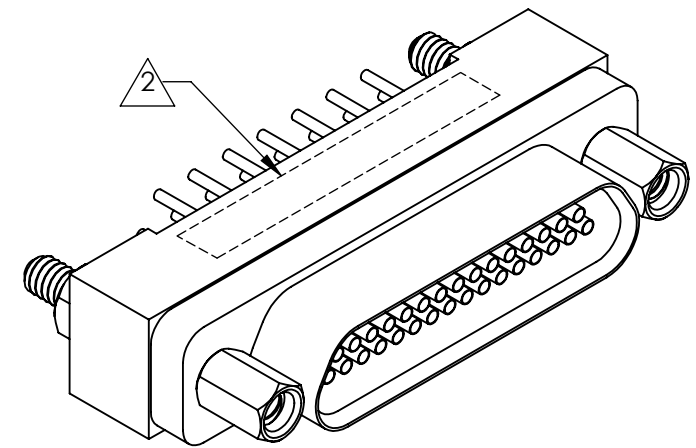
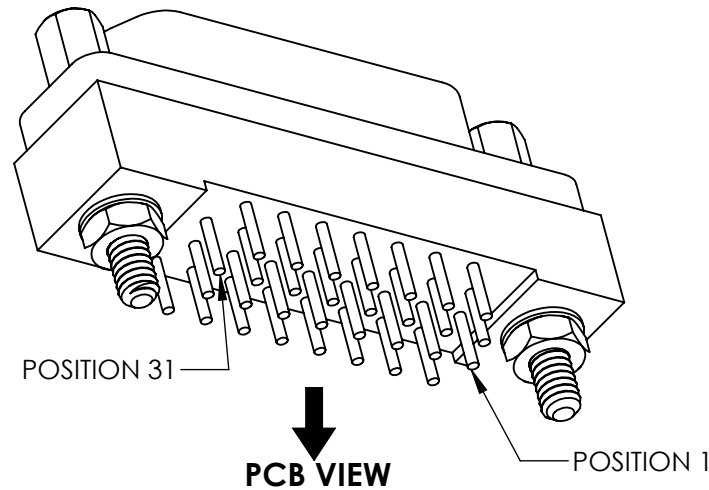
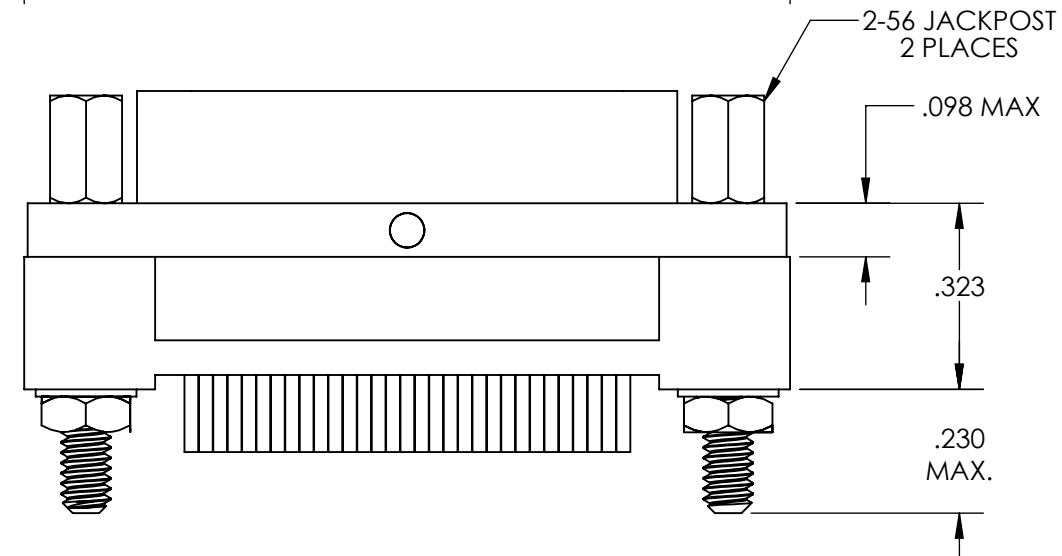
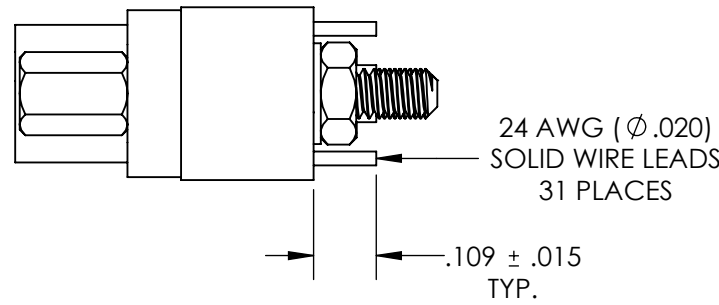
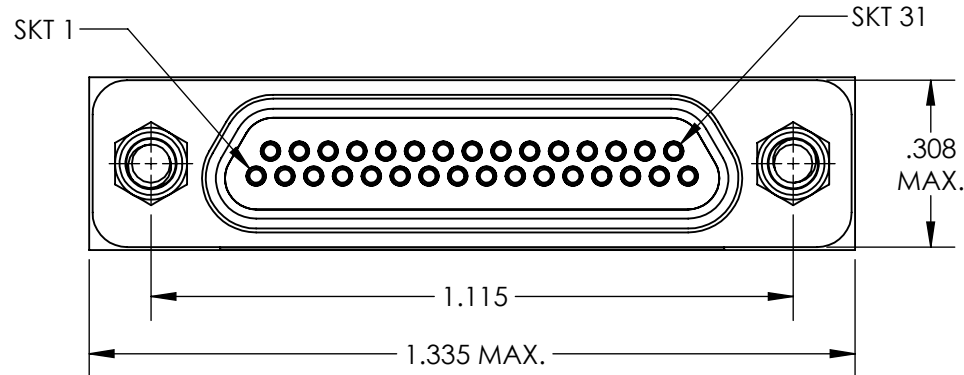


REVISIONS

PART REV.	DWG. ISSUE	DATE	ECN NO.	APPVD. BY	REL. BY
-	-	06/28/2013	UMI5004	DW	DW
-	A	07/20/2015	UMI5684	DW	DW
-	B	3/21/2018	UMI6534	DW	DW



RECOMMENDED PCB LAYOUT

5 NUMBERS ARE FOR REFERENCE ONLY AND DO NOT APPEAR ON PART

4. PERFORMANCE SPECIFICATIONS:  
 CURRENT RATING: 3A MAX.  
 INSULATION RESISTANCE: 5000 MΩ MIN.  
 DWV: 600 VAC  
 TEMPERATURE RATING: 125°C

3 MATERIALS:  
 SHELL: 6061-T6 ALUMINUM PER AMS-QQ-A200/8, CADMIUM PLATED PER AMS-QQ-P-416  
 INSULATOR AND BACKSHELL: PPS PER MIL-M-24519 GST-40F, COLOR: BLK  
 SOCKET CONTACTS: C21000 BRASS ALLOY PER ASTM B36, GOLD PLATED PER ASTM B488  
 24 AWG LEADS: TIN PLATED COPPER ALLOY PER A-A-59551 TYPE S  
 HARDWARE: PASSIVATED STAINLESS STEEL IAW MIL-DTL-83513/5  
 INTERFACIAL SEAL: FLUOROSILICONE PER MIL-R-25988

2 MARKINGS: "UMI", DATE CODE, UMI PART NUMBER, UMI WORK ORDER NUMBER  
 1. CONNECTOR ASSEMBLY IS IAW MIL-DTL-83513 UNLESS OTHERWISE SPECIFIED

NOTES: UNLESS OTHERWISE SPECIFIED

QUALITY SYMBOLS CRITICAL MAJOR NO SYMBOL = MINOR DIMENSION	<b>UNLESS SPECIFIED:</b> ALL DIMENSIONS IN INCHES  GENERAL TOLERANCES: 3 PLACE ±.002 2 PLACE ±.005 ANGULAR ±2°	SCALE 3:1	DWG SIZE B	THIRD ANGLE PROJECTION	<b>REVISE ON CAD ONLY</b>		
		DRAWN BY & DATE JB 06/28/2013		TITLE MICRO-D CIRCUIT CONNECTOR, RECEPTACLE, STYLE 6, SIZE 31 CM 6R31S07		MATERIAL 3	
		CHECKED BY & DATE DW 06/28/2013				SHEET NO. 1 OF 1	
		APPROVED BY & DATE DW 06/28/2013				PART NO. 836250617	
		CAD FILENAME SD-836250617.slddrw		DRAWING NO. SD-836250617		PART REV. -	
THIS DRAWING CONTAINS INFORMATION THAT IS PROPRIETARY TO ULTI-MATE INCORPORATED AND SHOULD NOT BE USED WITHOUT WRITTEN PERMISSION.							

