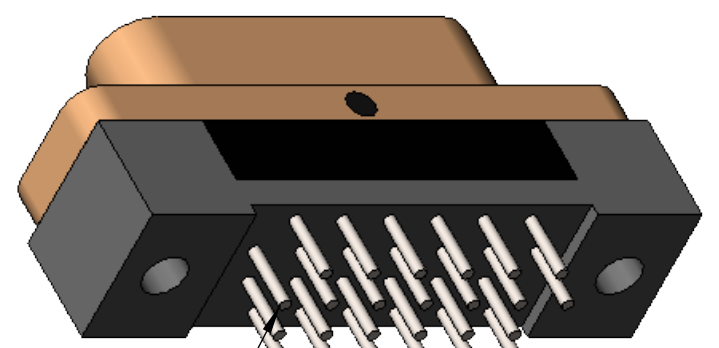


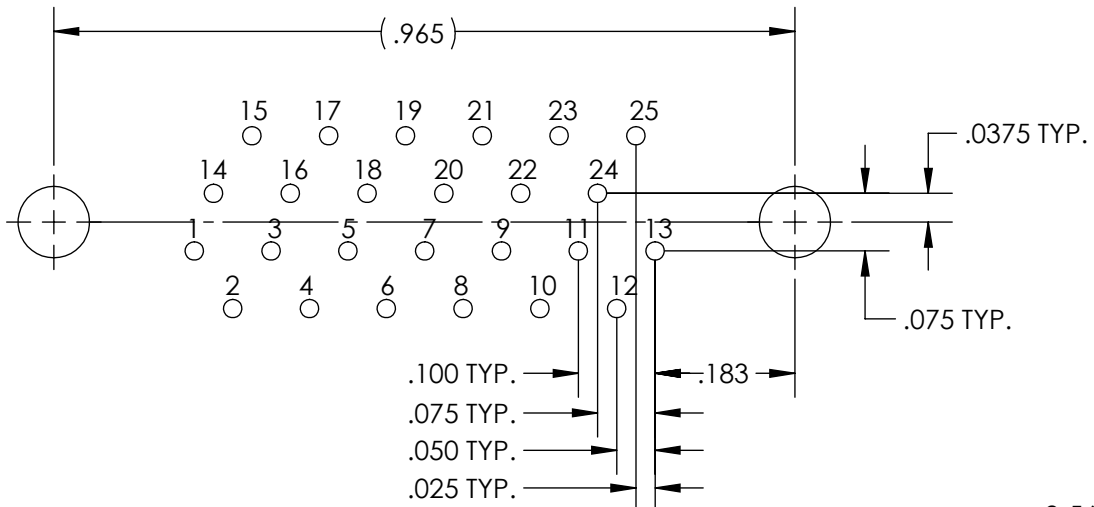
PART REV	DWG ISSUE	DATE	ECN NO.	APPVD BY	REL BY
-	-	4/5/18	UMI6721	DW	DW

F

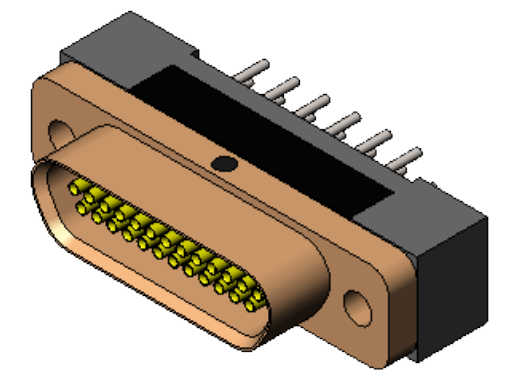
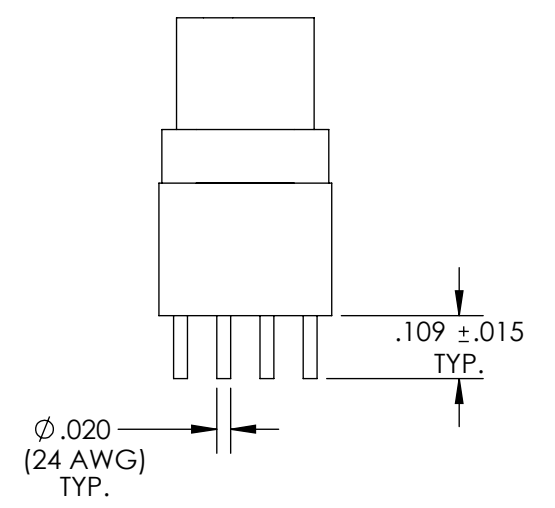
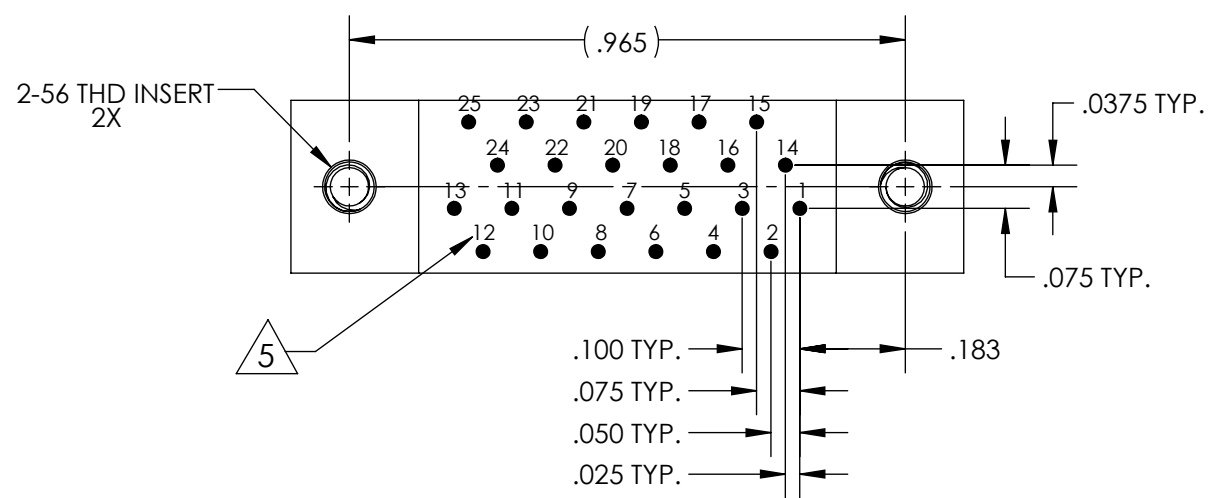
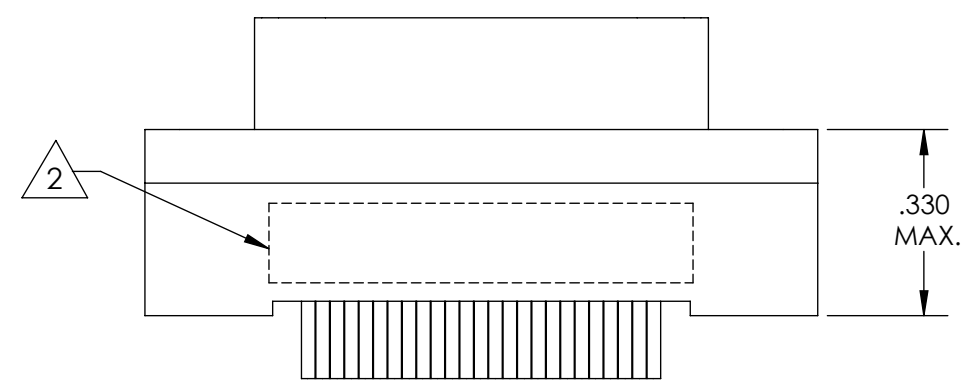
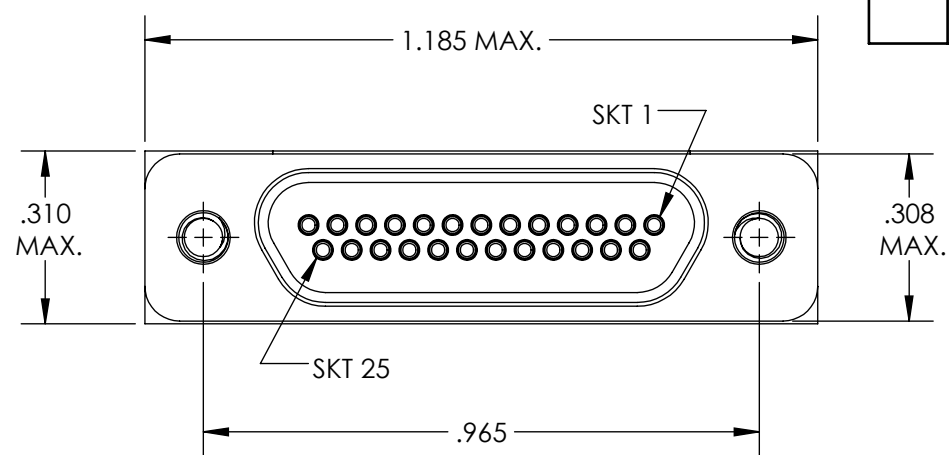


POSITION 1 POSITION 25

PCB VIEW



RECOMMENDED PCB LAYOUT



- 6. CONTACT HEIGHTS ARE TO BE PER QA-STD-101.
- 5 NUMBERS, (LEAD LOCATIONS), ARE SHOWN FOR REFERENCE ONLY AND DO NOT APPEAR ON ACTUAL PART.
- 4. PERFORMANCE SPECIFICATIONS:
CURRENT RATING: 3 AMPS MAX.
DWV: 600 VAC
TEMPERATURE RATING: 125° C
- 3 MATERIALS:
SHELL: 6061-T6 ALUMINUM PER AMS-QQ-A200/8, CADMIUM PLATED PER AMS-QQ-P-416
INSULATOR AND BACKSHELL: PPS PER MIL-M-24519 GST-40F, COLOR: BLACK
SOCKET CONTACTS: C21000 COPPER ALLOY PER ASTM B36, GOLD PLATED PER ASTM B488
24 AWG LEADS: TIN PLATED COPPER ALLOY PER A-A-59551, TYPE S
HARDWARE: PASSIVATED STAINLESS STEEL, 300 SERIES
INTERFACIAL SEAL: FLUOROSILICONE PER MIL-R-25988
- 2 MARKING: "UMI", DATE CODE, UMI PART NUMBER, UMI WORK ORDER NUMBER
- 1. CONNECTOR ASSEMBLY IS IAW MIL-DTL-83513 UNLESS OTHERWISE SPECIFIED.

NOTES: UNLESS OTHERWISE SPECIFIED.

QUALITY SYMBOLS CRITICAL MAJOR NO SYMBOLS = MINOR DIMENSIONS	UNLESS OTHERWISE SPECIFIED: ALL DIMENSIONS ARE IN INCHES	SCALE 3 : 1	DWG SIZE B	THIRD ANGLE PROJECTION	REVISE ON CAD ONLY	
	GENERAL TOLERANCES: 3 PLACES ±.005 2 PLACES ±.01 ANGULAR ±2°	DRAWN BY & DATE DU 4/5/18		TITLE: MICRO-D CIRCUIT CONNECTOR, CM6R25S0T, CADMIUM PLATED SHELL		
	ULTI-MATE CAGE CODE 58967	CHECKED BY & DATE DW 4/5/18		MATERIAL: 3	ENG PROJECT #: NONE	Ulti-Mate Connector Inc.
		APPROVED BY & DATE DW 4/5/18		PART NO. 836240619	DRAWING NO. SD-836240619	SHEET NO. 1 of 1
		CAD FILE NAME SD-836240619.sliddrw		THIS DRAWING CONTAINS INFORMATION THAT IS PROPRIETARY TO ULTI-MATE INCORPORATED AND SHOULD NOT BE USED WITHOUT WRITTEN PERMISSION.		