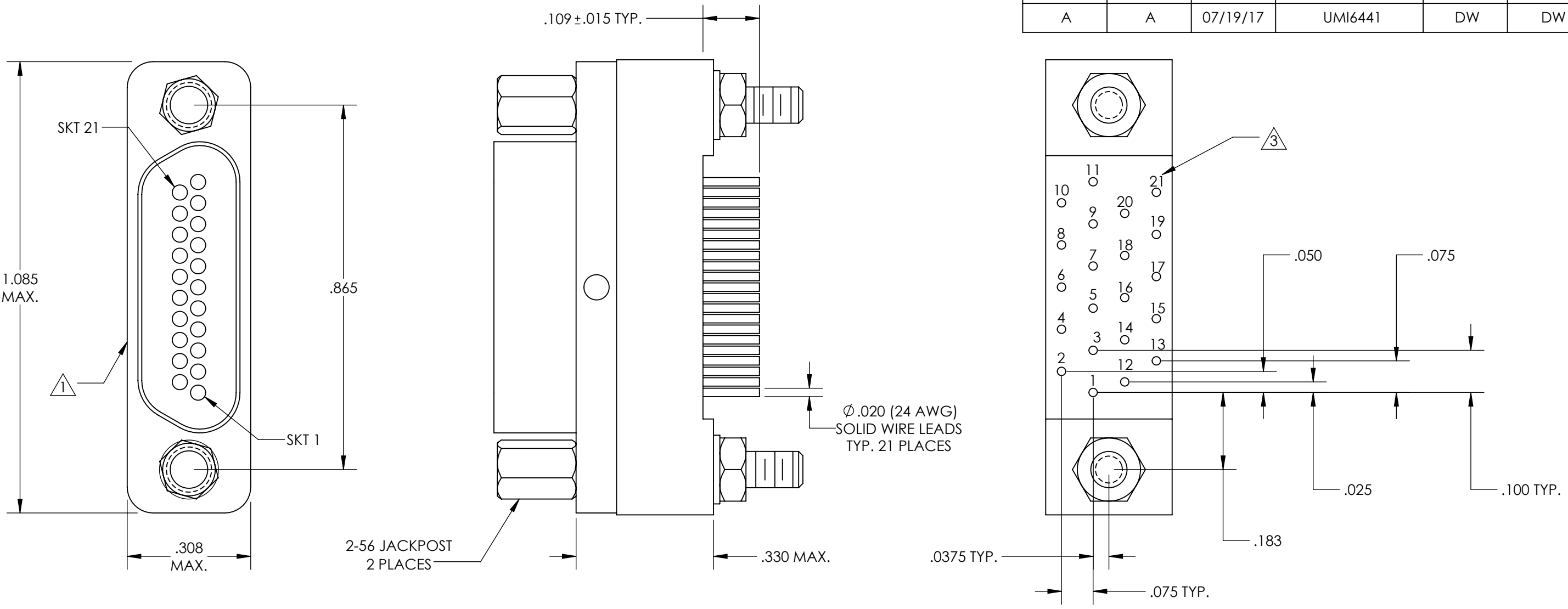


REVISIONS

PART REV.	DWG. ISSUE	DATE	ECN NO.	APPVD. BY	REL. BY
-	-	07/09/14	UMI4000	DW	DW
A	A	07/19/17	UMI6441	DW	DW



4. PERFORMANCE SPECIFICATIONS:
 CURRENT RATING: 3A MAX.
 INSULATION RESISTANCE: 5000 MΩ MIN.
 DWV: 600 VAC.
 TEMPERATURE RATING: 125°C.

3 NUMBERS ON BACKSHELL ARE SHOWN FOR REFERENCE ONLY AND DO NOT APPEAR ON ACTUAL PART.

2 MATERIALS:
 SHELL: 6061-T6 ALUMINUM PER SAE-AMS-QQ-A-200/8, NICKEL PLATED PER AMS 2404.
 INSULATOR AND BACKSHELL: PPS PER MIL-M-24519 GST-40F.
 SOCKET CONTACTS: C21000 COPPER ALLOY PER ASTM B36, GOLD PLATED PER ASTM B488
 24 AWG LEADS: TIN PLATED COPPER ALLOY PER A-A-59551 TYPE S.
 HARDWARE: PASSIVATED STAINLESS STEEL IAW M83513/05.
 INTERFACIAL SEAL: FLUOROSILICONE.

1 MARKINGS: UMI, DATE CODE, UMI PART NO., AND WORK ORDER NO.

NOTES: UNLESS OTHERWISE SPECIFIED

QUALITY SYMBOLS CRITICAL MAJOR NO SYMBOL = MINOR DIMENSION	UNLESS SPECIFIED: ALL DIMENSIONS IN INCHES GENERAL TOLERANCES: 3 PLACE ±.005 2 PLACE ±.01 ANGULAR ±2° ALL EXTERNAL SPECIFICATIONS REFERENCED ON THIS DRAWING SHALL BE THE LATEST REVISION IN EFFECT UMI-Mate CAGE CODE 58967	SCALE 4:1	DWG SIZE B	THIRD ANGLE PROJECTION	REVISE ON CAD ONLY	
	DRAWN BY & DATE DW 07/09/2014	TITLE CIRCUIT CONNECTOR, SIZE 21, STYLE 6 BACKSHELL, CM6R21S07-S01		MATERIAL 2	ENG PROJECT # -	SHEET NO. 1 OF 1
	CHECKED BY & DATE SEE ECN	APPROVED BY & DATE SEE ECN		PART NO. 836231617	DRAWING NO. SD-836231617	PART REV. A
	CAD FILENAME SD-836231617.SLDDRW	THIS DRAWING CONTAINS INFORMATION THAT IS PROPRIETARY TO ULTI-MATE INCORPORATED AND SHOULD NOT BE USED WITHOUT WRITTEN PERMISSION.				

