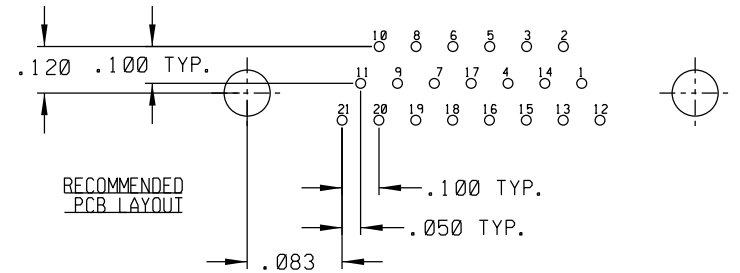
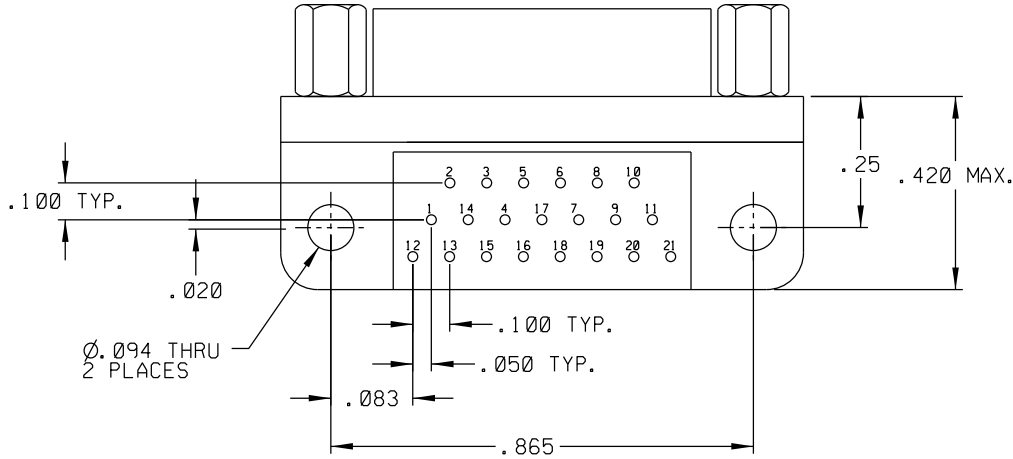
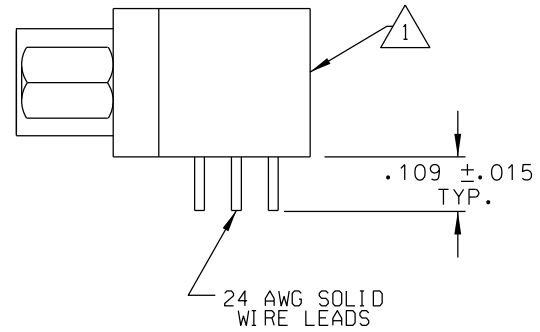
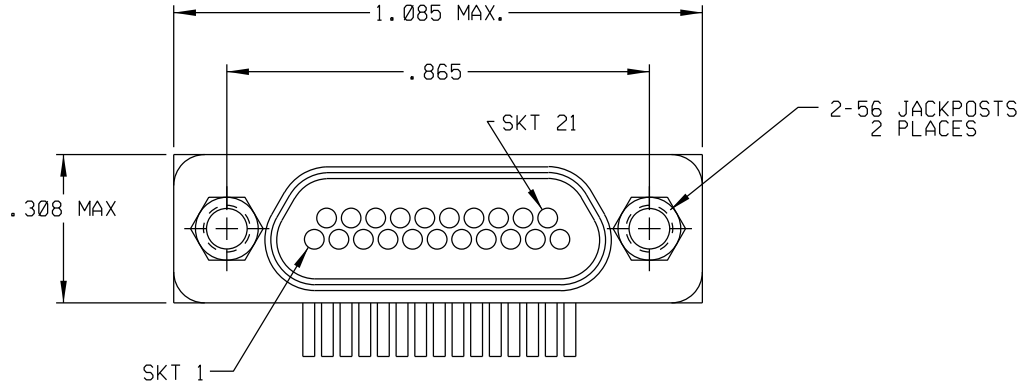


SD-836231117

PART REV	DWG ISSUE	DATE	ECN NO.	APPVD BY	REL BY
-	-	6-6-17	UMI 6382	DW	DW



3. NUMBERS ON BACKSHELL ARE SHOWN FOR REFERENCE ONLY AND DO NOT APPEAR ON PART

- 2 MATERIALS:  
SHELL: 6061-T6 ALUMINUM PER SAE-AMS-QQ-A200/8, NICKEL PLATED PER AMS 2404.  
INSULATOR AND BACKSHELL: PPS PER MIL-M-24519 GST-40F, COLOR: BLACK  
SOCKET CONTACTS: COPPER ALLOY CDA 210 1/2 HARD GOLD PLATED PER ASTM B488.  
24 AWG SOLID WIRE LEADS: TIN PLATED COPPER ALLOY PER A-A-59551, TYPE S.
- HARDWARE: PASSIVATED STAINLESS STEEL IAW MIL-DTL-83513/5.  
INTERFACIAL SEAL: FLUOROSILICONE PER MIL-R-25988.
- 1 MARKING: "UMI", DATE CODE, UMI PART NUMBER, AND WORK ORDER NUMBER

NOTES: UNLESS OTHERWISE SPECIFIED

<b>QUALITY SYMBOLS</b> CRITICAL SPECIAL KEY	UNLESS SPECIFIED: ALL DIMENSIONS IN INCHES GENERAL TOLERANCES: 3 PLACE ±.005 2 PLACE ±.01 ANGULAR ±2°	SCALE: NONE DWG SIZE: B THIRD ANGLE PROJECTION	REVISE ON CAD ONLY	
	ALL EXTERNAL SPECIFICATIONS REFERENCED ON THIS DRAWING SHALL BE TO THE LATEST REVISION IN EFFECT Ulti-Mate CAGE CODE <b>58967</b>	DRAWN BY & DATE: DW 6-6-17 CHECKED BY & DATE: SEE ECN APPROVED BY & DATE: SEE ECN	TITLE: CIRCUIT CONNECTOR, RECEPTACLE, STYLE 1 BACKSHELL, SIZE 21, CMI R21 S07-S01	
		CAD FILENAME: SD-836231117.DGN	MATERIAL:	SHEET NO. 1 OF 1
		PART NO. 836231117 DRAWING NO. SD-836231117	Ulti-Mate Connector Inc.	PART REV -

THIS DRAWING CONTAINS INFORMATION THAT IS PROPRIETARY TO ULTI-MATE INCORPORATED AND SHOULD NOT BE USED WITHOUT WRITTEN PERMISSION.