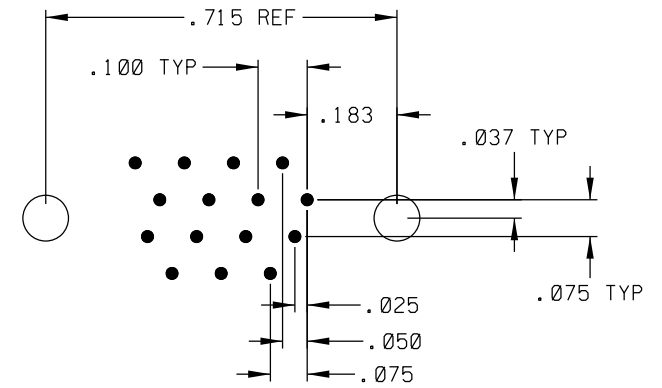
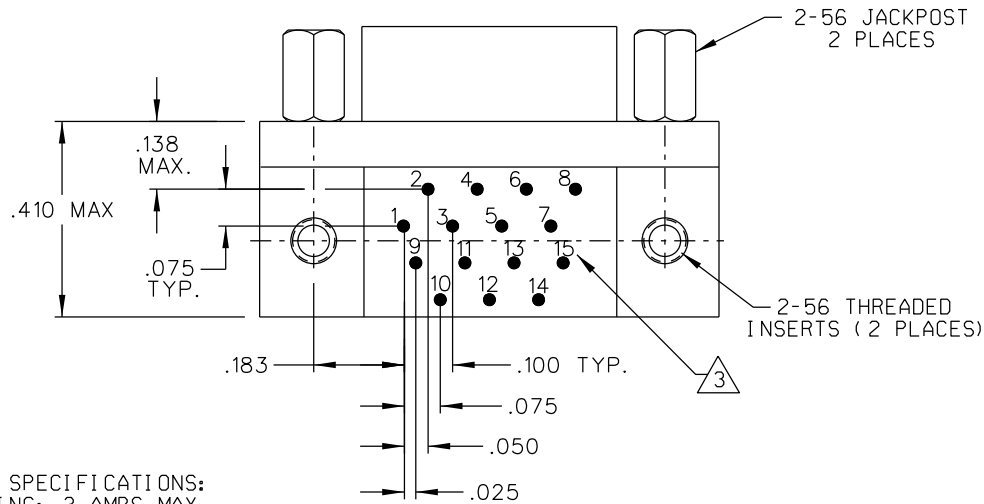
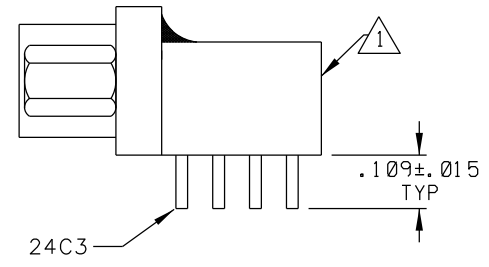
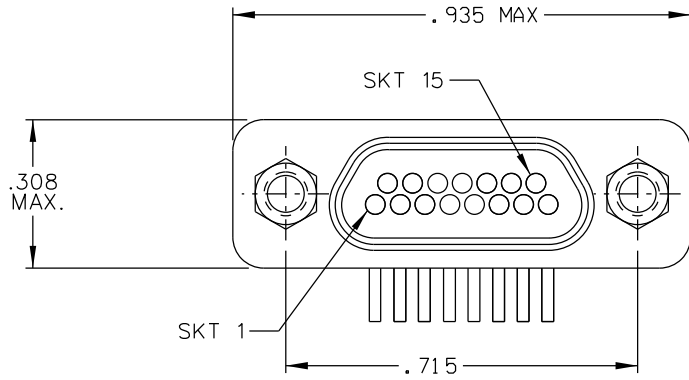


PART REV	DWG ISSUE	DATE	ECN NO.	APPVD BY	REL BY
-	-	12-1-15	UMI 5817	DW	DW



4. PERFORMANCE SPECIFICATIONS:  
 CURRENT RATING: 3 AMPS MAX.  
 INSULATION RESISTANCE: 5000 MEGOHMS MIN.  
 DWV: 600 VAC;  
 TEMPERATURE RATING: 125°C

3. NUMBERS SHOWN ON BACKSHELL ARE FOR REFERENCE ONLY AND MAY NOT APPEAR ON PART.

2. MATERIALS:  
 SHELL: 6061-T6 ALUMINUM PER AMS-QQ-A200/8, NICKEL PLATED PER AMS 2404  
 INSULATOR AND BACKSHELL: PPS PER MIL-M-24519 GST-40F  
 SOCKET CONTACTS: C21000 COPPER PER ASTM B36, GOLD PLATED PER ASTM B488  
 24 AWG LEADS: TIN PLATED COPPER ALLOY  
 HARDWARE: PASSIVATED STAINLESS STEEL IAW MIL-DTL-83513/5  
 INTERFACIAL SEAL: FLUOROSILICONE

1. MARKING: UMI, DATE CODE, UMI P/N.

NOTES: UNLESS OTHERWISE SPECIFIED.

QUALITY SYMBOLS	UNLESS SPECIFIED: ALL DIMENSIONS IN INCHES	SCALE 4 : 1	DWG SIZE B	THIRD ANGLE PROJECTION	REVISE ON CAD ONLY
	CRITICAL GENERAL TOLERANCES: 3 PLACE ± .005 2 PLACE ± .01 ANGULAR ± 2°	DRAWN BY & DATE DW 12-1-15	CHECKED BY & DATE SEE ECN	TITLE: CIRCUIT SERIES RECETPCACLE, SIZE 15, STYLE8 BACKSHELL, W/JACKPOSTS, THREADED INSERTS, CM8R15S07T-S01	
SPECIAL	ALL EXTERNAL SPECIFICATIONS REFERENCED ON THIS DRAWING SHALL BE TO THE LATEST REVISION IN EFFECT	APPROVED BY & DATE SEE ECN	MATERIAL: 2		Uti-Mate Connector Inc.
KEY	Uti-Mate CAGE CODE 58967	CAD FILENAME SD-836221818.DGN	PART NO. 836221818	DRAWING NO. SD-836221818	SHEET NO. 1 OF 1
		THIS DRAWING CONTAINS INFORMATION THAT IS PROPRIETARY TO ULTI-MATE INCORPORATED AND SHOULD NOT BE USED WITHOUT WRITTEN PERMISSION.			PART REV -