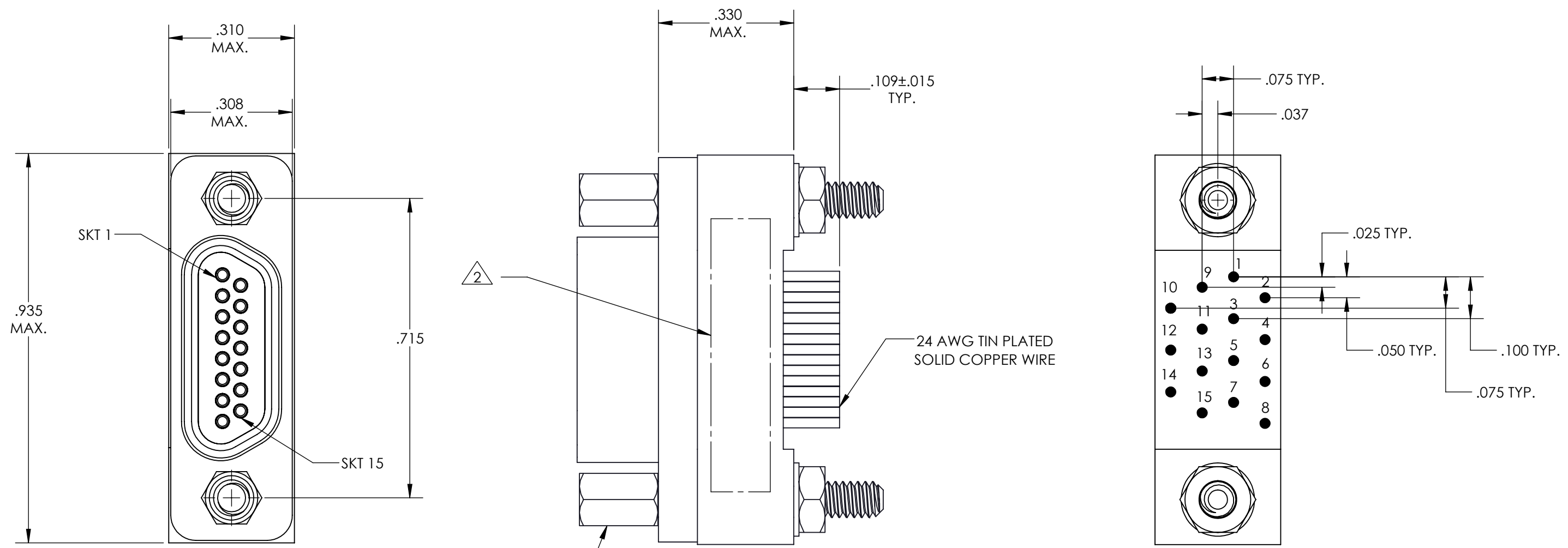


PART REV	DWG ISSUE	DATE	ECN NO.	APPVD BY	REL BY
-	-	10-11-06	UMI3386	DW	DW
A	A	3/25/19	UMI7085	VL	DW

F
E
D
C



- 6. CONTACT HEIGHTS ARE TO BE PER QA-STD-101.
- 5. NUMBERS, (LEAD LOCATIONS), ARE SHOWN FOR REFERENCE ONLY AND DO NOT APPEAR ON ACTUAL PART.
- 4. PERFORMANCE SPECIFICATIONS:
CURRENT RATING: 3 AMPS MAX.
DWV: 600 VAC
TEMPERATURE RATING: 125° C

2-56 JACKPOST
2 PLACES

3. MATERIALS:
SHELL: 6061-T6 ALUMINUM PER AMS-QQ-A200/8, CADMIUM PLATED PER AMS-QQ-P-416
INSULATOR AND BACKSHELL: PPS PER MIL-M-24519 GST-40F, COLOR: BLACK
SOCKET CONTACTS: C21000 COPPER ALLOY PER ASTM B36, GOLD PLATED PER ASTM B488
24 AWG LEADS: TIN PLATED COPPER ALLOY PER A-A-59551, TYPE S
HARDWARE: PASSIVATED STAINLESS STEEL, 300 SERIES
INTERFACIAL SEAL: FLUOROSILICONE PER MIL-R-25988

2. MARKING: "UMI", DATE CODE, UMI PART NUMBER, UMI WORK ORDER NUMBER

1. CONNECTOR ASSEMBLY IS IAW MIL-DTL-83513 UNLESS OTHERWISE SPECIFIED.

NOTES: UNLESS OTHERWISE SPECIFIED.

QUALITY SYMBOLS CRITICAL C SPL/MI NOR S SPL/MAJOR KEY K	UNLESS OTHERWISE SPECIFIED: ALL DIMENSIONS ARE IN INCHES	SCALE: 4:1	DWG SIZE: B	THIRD ANGLE PROJECTION	REVISE ON CAD ONLY
	GENERAL TOLERANCES: 3 PLACES ±.005 2 PLACES ±.01 ANGULAR ±2°	DRAWN BY & DATE: VL 3/25/2019		TITLE: CIRCUIT CONNECTOR, CM6R15S07	
	ULTI-MATE CAGE CODE: 58967	CHECKED BY & DATE: SEE ECN		MATERIAL: X	ENG PROJECT #: NONE
		APPROVED BY & DATE: SEE ECN		PART NO.: 836220617	DRAWING NO.: SD-836220617
		CAD FILE NAME: SD-836220617.SLDDRW		SHEET NO.: 1 of 1	PART REV.: A

THIS DRAWING CONTAINS INFORMATION THAT IS PROPRIETARY TO ULTI-MATE INCORPORATED AND SHOULD NOT BE USED WITHOUT WRITTEN PERMISSION.

