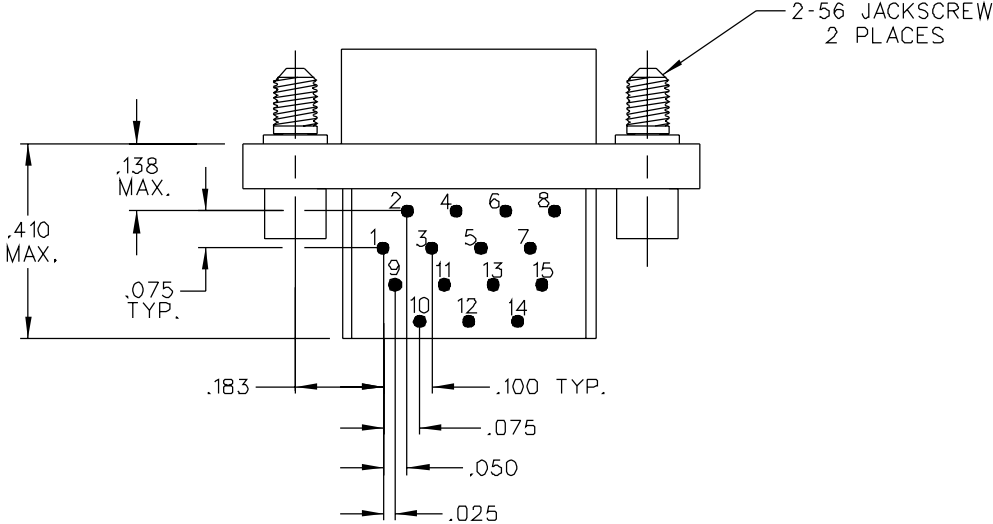
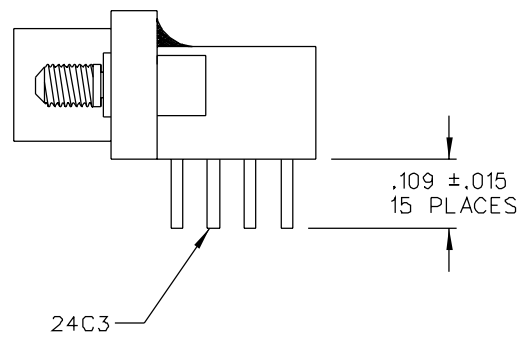
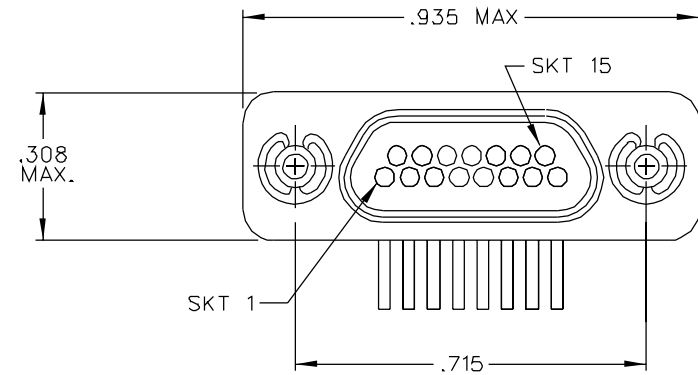


PART REV	DWG ISSUE	DATE	ECN NO.	APPVD BY	REL BY
-	-	7-15-10	UMI 4122		



- 2 MATERIALS:
 SHELL: 6061-T6 ALUMINUM PER SAE-AMS-QQ-A200/8,
 CADMIUM PLATED PER SAE-AMS-QQ-P-416
 INSULATOR AND BACKSHELL: PPS PER MIL-M-24519 GST-40F
 SOCKET CONTACTS: COPPER ALLOY CDA 210 1/2 HARD
 GOLD PLATED PER ASTM B488-01
 24 AWG SOLID WIRE LEADS: TIN PLATED COPPER ALLOY
 HARDWARE: STAINLESS STEEL, PASSIVATED PER AMS 2700
 INTERFACIAL SEAL: FLOUROSILICONE

1. MARKING: UMI, DATE CODE, UMIP/N.

NOTES: UNLESS OTHERWISE SPECIFIED.

QUALITY SYMBOLS MAJOR CRITICAL SPC	UNLESS SPECIFIED: ALL DIMENSIONS IN INCHES GENERAL TOLERANCES: 3 PLACE ± .005 2 PLACE ± .01 ANGULAR ± 2°	SCALE: NONE DWG SIZE: B DRAWN BY & DATE: DW 7-15-10 CHECKED BY & DATE: APPROVED BY & DATE:	THIRD ANGLE PROJECTION TITLE: CIRCUIT CONNECTOR, RECEPT., SIZE 15, STYLE 18, CMI8R15S02 MATERIAL:	REVISE ON CAD ONLY Uti-Mate Connector Inc.	
	Uti-Mate CAGE CODE 58967	CAD FILENAME: SD-836220012.DGN	PART NO.: 836220012	DRAWING NO.: SD-836220012	SHEET NO.: 1 OF 1
	THIS DRAWING CONTAINS INFORMATION THAT IS PROPRIETARY TO ULTI-MATE INCORPORATED AND SHOULD NOT BE USED WITHOUT WRITTEN PERMISSION.				REV: -
	Uti-Mate logo				