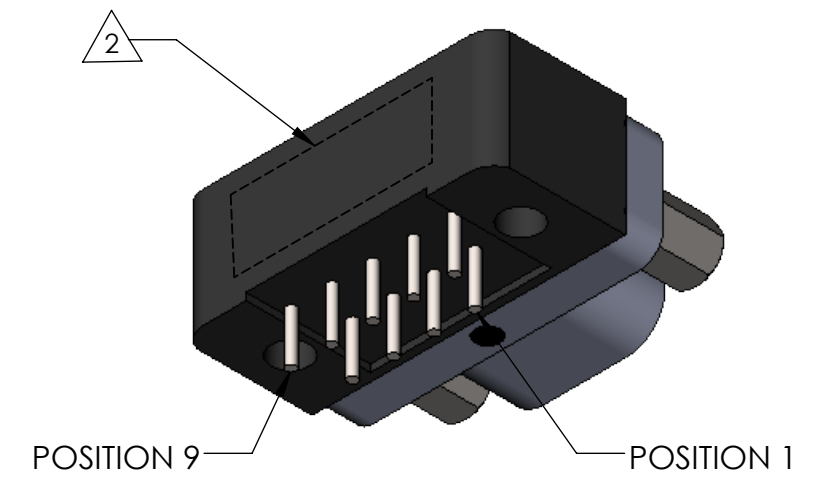
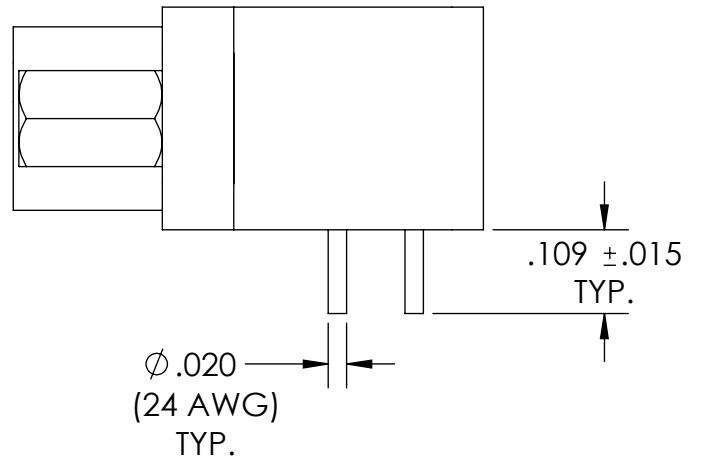
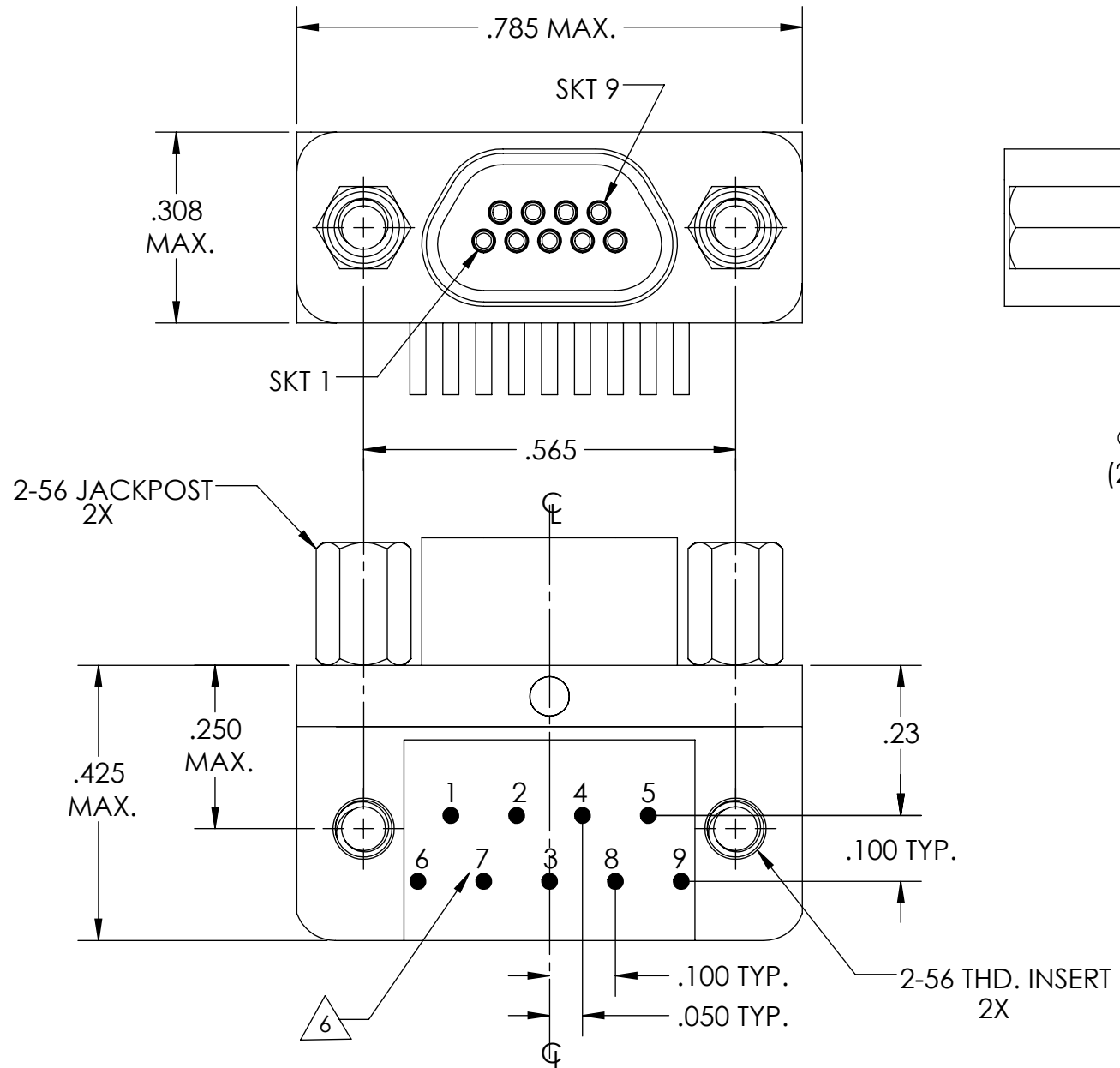
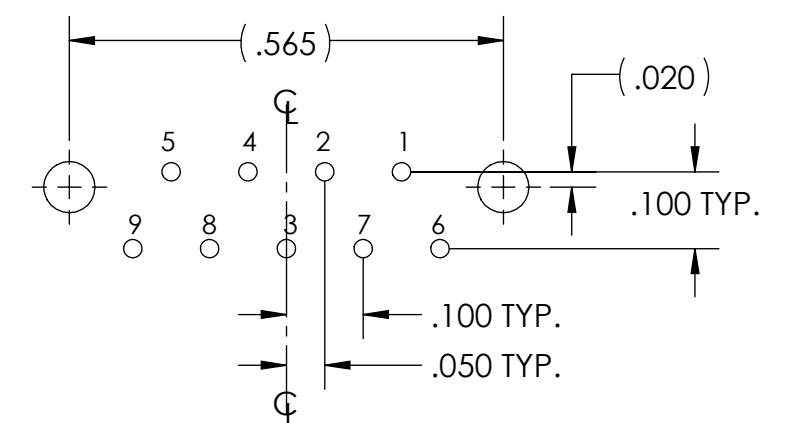


PART REV	DWG ISSUE	DATE	ECN NO.	APPVD BY	REL BY
-	-	2/20/18	UMI6664	DW	DW

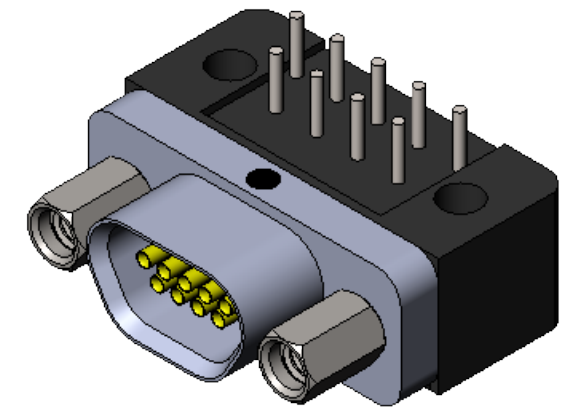
F
E
D
C
B
A



PCB VIEW



RECOMMENDED PCB LAYOUT



- 6 NUMBERS ARE REFERENCE ONLY AND DO NOT APPEAR ON ACTUAL ASSEMBLY.
- 5. CONTACT HEIGHTS TO BE PER QA-STD-101.
- 4. PERFORMANCE SPECIFICATIONS:
CURRENT RATING: 3 AMPS MAX.
DWV: 600 VAC
TEMPERATURE RATING: 125° C
- 3 MATERIALS:
SHELL: 6061-T6 ALUMINUM PER AMS-QQ-A200/8, NICKEL PLATED PER AMS-2404
INSULATOR/BACKSHELL: PPS PER MIL-M-24519 GST-40F, COLO: BLACK
SOCKET CONTACTS: C21000 COPPER ALLOY PER ASTM B36, GOLD PLATED PER ASTM B488
24 AWG LEADS: TIN PLATED COPPER ALLOY PER A-A-59551, TYPE S
HARDWARE: PASSIVATED STAINLESS STEEL IAW MIL-DTL-83513/5
INTERFACIAL SEAL: FLUOROSILICONE PER MIL-R-25988
- 2 MARKING: "UMI", DATE CODE, UMI PART NUMBER, UMI WORK ORDER NUMBER
- 1. CONNECTOR ASSEMBLY IS IAW MIL-DTL-83513 UNLESS OTHERWISE SPECIFIED.

NOTES: UNLESS OTHERWISE SPECIFIED.

QUALITY SYMBOLS CRITICAL MAJOR NO SYMBOLS = MINOR DIMENSIONS	UNLESS OTHERWISE SPECIFIED: ALL DIMENSIONS ARE IN INCHES	SCALE 4 : 1	DWG SIZE B	THIRD ANGLE PROJECTION	REVISE ON CAD ONLY	
	GENERAL TOLERANCES: 3 PLACES $\pm .005$ 2 PLACES $\pm .01$ ANGULAR $\pm 2^\circ$	DRAWN BY & DATE DU 2/20/18		TITLE: MICRO-D CIRCUIT CONNECTOR, RECEPTACLE, SIZE 9, STYLE 1, JACKPOST/THD. MTN. HOLES, NICKEL PLATED, CM1R09S07T-S01		
		CHECKED BY & DATE DW 2/20/18		MATERIAL: 3	ENG PROJECT #: NONE	
		APPROVED BY & DATE DW 2/20/18				
	ULTI-MATE CAGE CODE 58967	CAD FILE NAME SD-836211118.SLDDRW	PART NO. 836211118	DRAWING NO. SD-836211118	SHEET NO. 1 of 1	

THIS DRAWING CONTAINS INFORMATION THAT IS PROPRIETARY TO ULTI-MATE INCORPORATED AND SHOULD NOT BE USED WITHOUT WRITTEN PERMISSION.