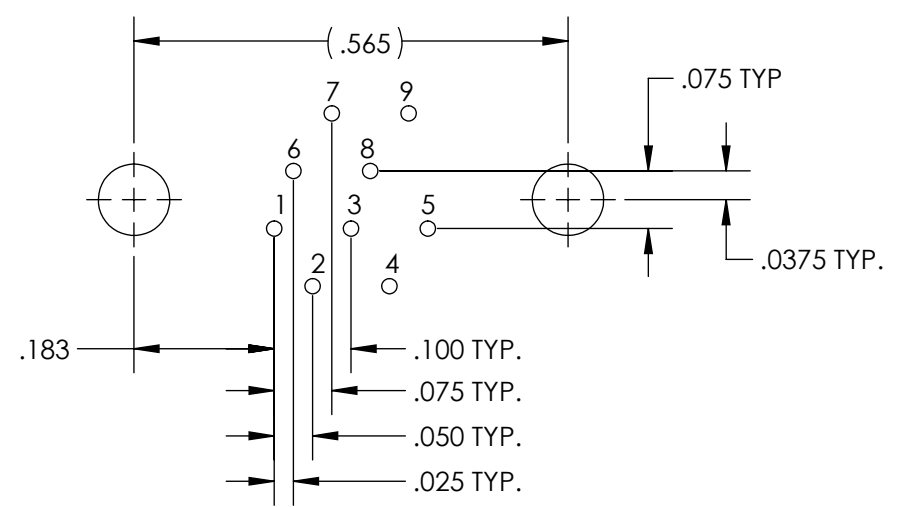
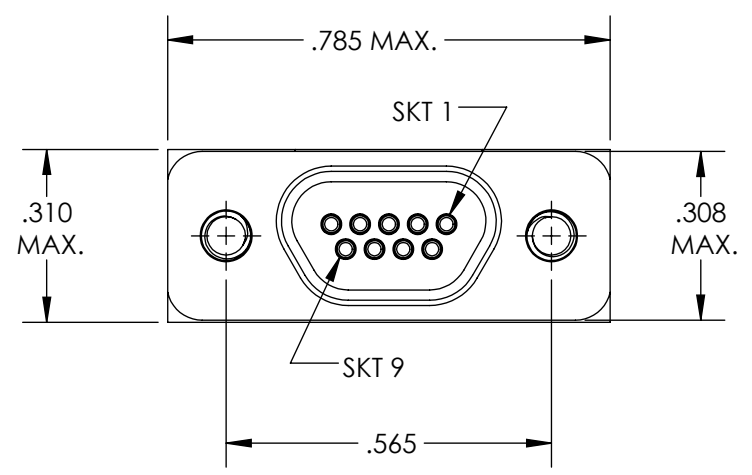
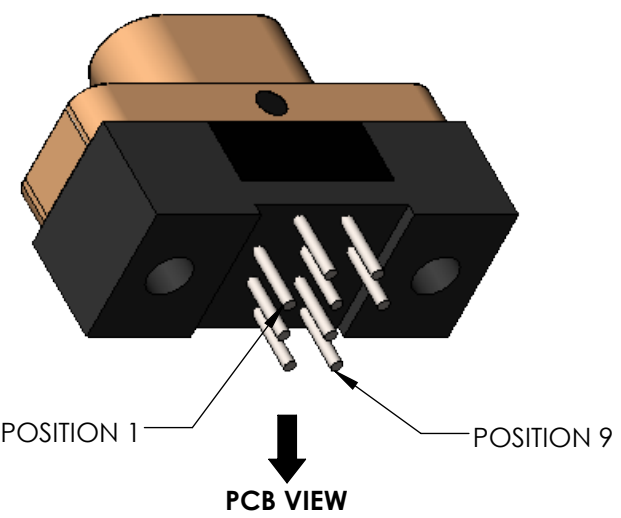
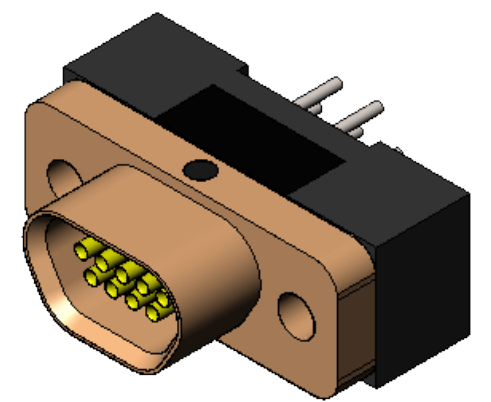
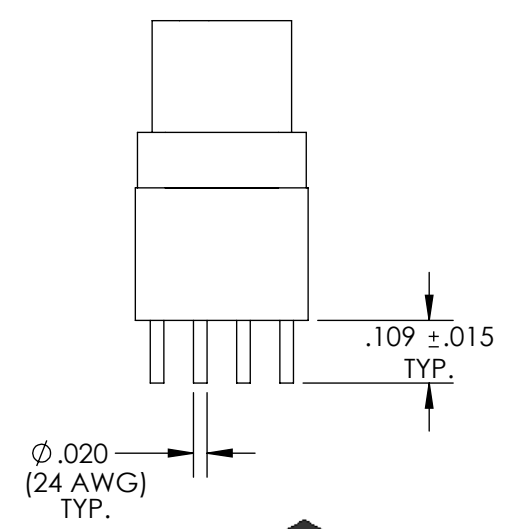
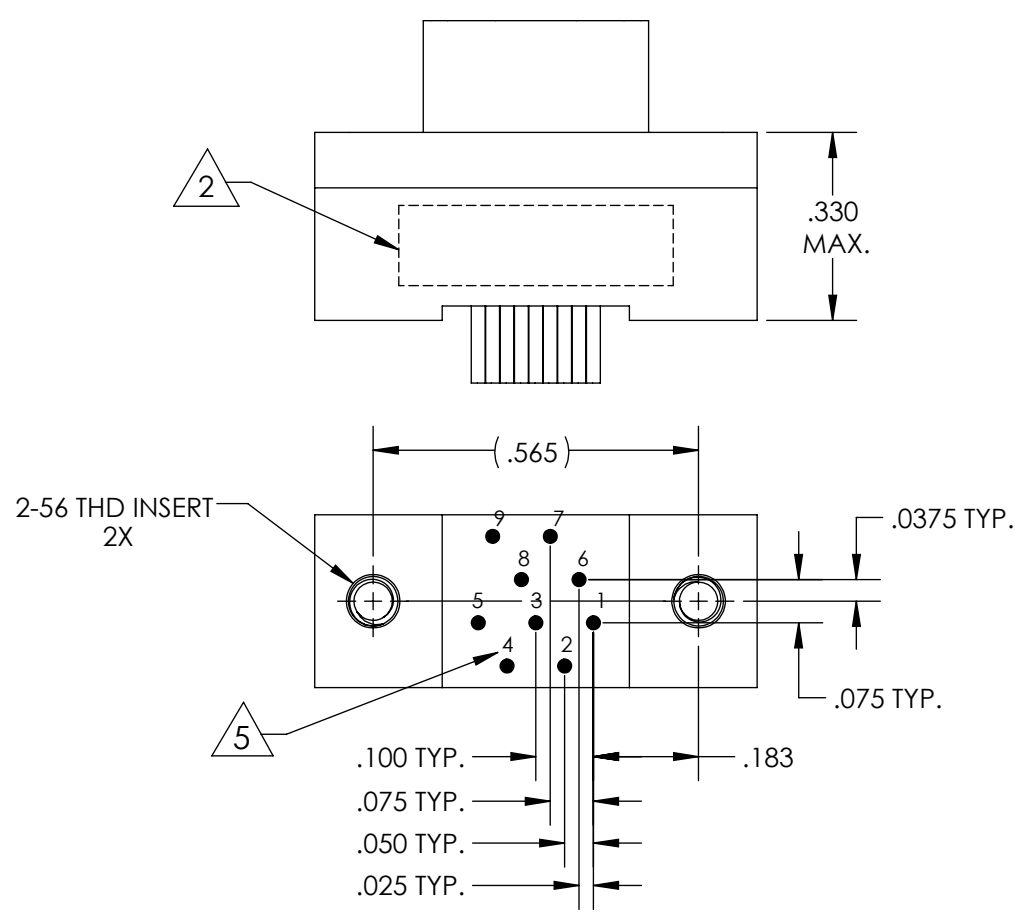


PART REV	DWG ISSUE	DATE	ECN NO.	APPVD BY	REL BY
-	-	4/5/18	UMI6721	DW	DW



**RECOMMENDED PCB LAYOUT**



- 6. CONTACT HEIGHTS ARE TO BE PER QA-STD-101.
- 5 NUMBERS, (LEAD LOCATIONS), ARE SHOWN FOR REFERENCE ONLY AND DO NOT APPEAR ON ACTUAL PART.
- 4. PERFORMANCE SPECIFICATIONS:  
CURRENT RATING: 3 AMPS MAX.  
DWV: 600 VAC  
TEMPERATURE RATING: 125° C
- 3 MATERIALS:  
SHELL: 6061-T6 ALUMINUM PER AMS-QQ-A200/8, CADMIUM PLATED PER AMS-QQ-P-416  
INSULATOR AND BACKSHELL: PPS PER MIL-M-24519 GST-40F, COLOR: BLACK  
SOCKET CONTACTS: C21000 COPPER ALLOY PER ASTM B36, GOLD PLATED PER ASTM B488  
24 AWG LEADS: TIN PLATED COPPER ALLOY PER A-A-59551, TYPE S  
HARDWARE: PASSIVATED STAINLESS STEEL, 300 SERIES  
INTERFACIAL SEAL: FLUOROSILICONE PER MIL-R-25988
- 2 MARKING: "UMI", DATE CODE, UMI PART NUMBER, UMI WORK ORDER NUMBER

1. CONNECTOR ASSEMBLY IS IAW MIL-DTL-83513 UNLESS OTHERWISE SPECIFIED.

**NOTES: UNLESS OTHERWISE SPECIFIED.**

QUALITY SYMBOLS CRITICAL MAJOR NO SYMBOLS = MINOR DIMENSIONS	UNLESS OTHERWISE SPECIFIED: ALL DIMENSIONS ARE IN INCHES	SCALE <b>3 : 1</b>	DWG SIZE <b>B</b>	THIRD ANGLE PROJECTION	REVISE ON CAD ONLY		
	GENERAL TOLERANCES: 3 PLACES ±.005 2 PLACES ±.01 ANGULAR ±2°	DRAWN BY & DATE <b>DU 4/5/18</b>	TITLE: <b>MICRO-D CIRCUIT CONNECTOR, CM6R09S0T, CADMIUM PLATED SHELL</b>			MATERIAL: <b>3</b>	ENG PROJECT #: <b>NONE</b>
	ULTI-MATE CAGE CODE <b>58967</b>	CHECKED BY & DATE <b>DW 4/5/18</b>	MATERIAL: <b>3</b>				
		APPROVED BY & DATE <b>DW 4/5/18</b>	PART NO.: <b>836210619</b>			DRAWING NO.: <b>SD-836210619</b>	
		CAD FILE NAME <b>SD-836210619.sliddrw</b>	THIS DRAWING CONTAINS INFORMATION THAT IS PROPRIETARY TO ULTI-MATE INCORPORATED AND SHOULD NOT BE USED WITHOUT WRITTEN PERMISSION.				PART REV.: <b>-</b>

