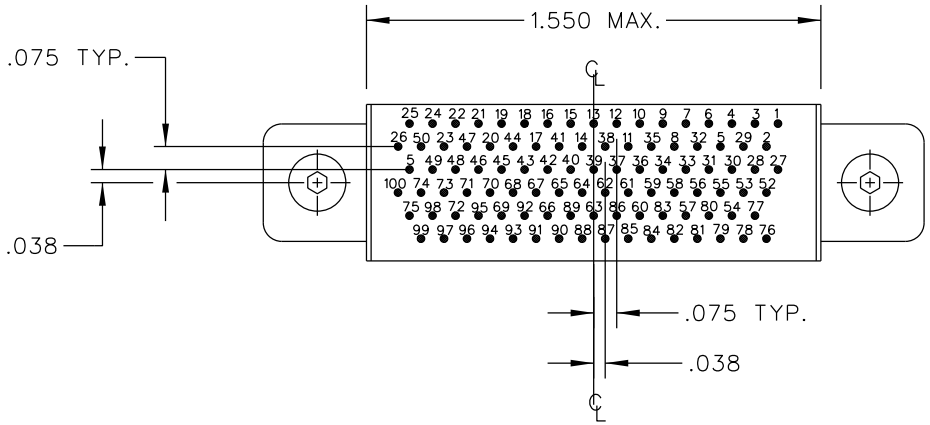
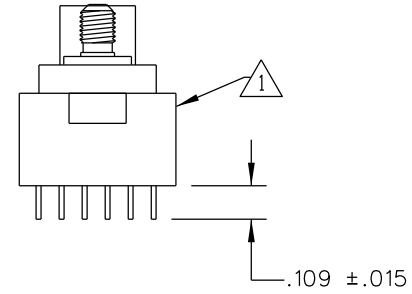
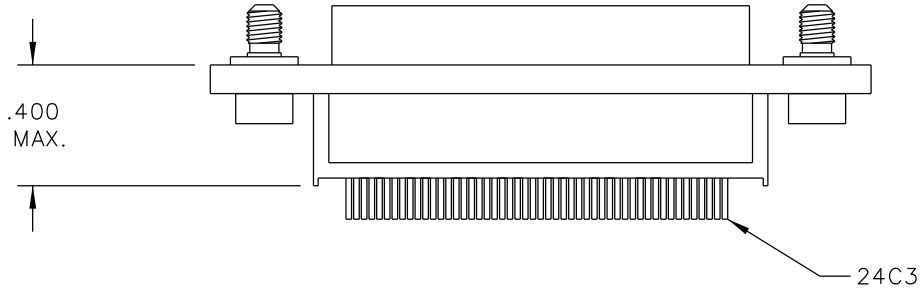
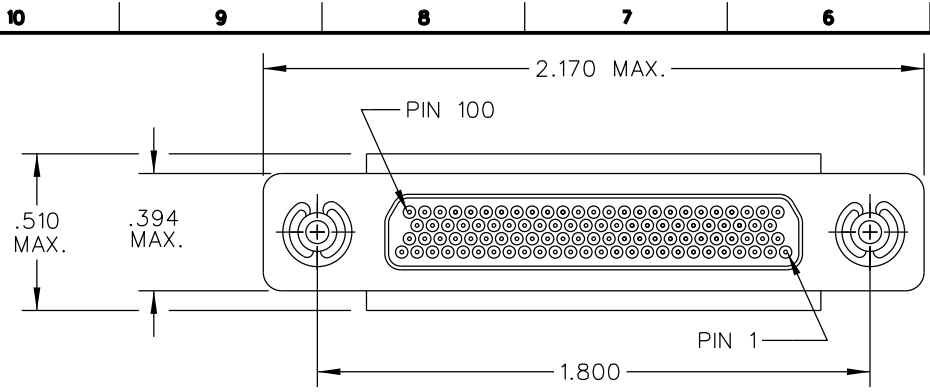


PART REV	DWG ISSUE	DATE	ECN NO.	APPVD BY	REL BY
-	-	29APR99	UM9-0464	FVW	FVW



1 MARKING: UMI, DATE CODE, UMI P/N, AND WORK ORDER NUMBER.

NOTES: UNLESS OTHERWISE SPECIFIED

QUALITY SYMBOLS CRITICAL MAJOR NO SYMBOL = MINOR DIMENSION	UNLESS SPECIFIED: ALL DIMENSIONS IN INCHES GENERAL TOLERANCES: 3 PLACE ±.005 2 PLACE ±.01 ANGULAR ±2°	SCALE: NONE DWG SIZE: B DRAWN BY & DATE: D.URBACH 29APR99 CHECKED BY & DATE: SEE ECN APPROVED BY & DATE: SEE ECN	THIRD ANGLE PROJECTION REVISE ON CAD ONLY TITLE: CIRCUIT CONNECTOR, CM16R100P12-S01 MATERIAL:	Uti-Mate Connector Inc.
	ALL EXTERNAL SPECIFICATIONS REFERENCED ON THIS DRAWING SHALL BE TO THE LATEST REVISION IN EFFECT Uti-Mate CAGE CODE: 58967	CAD FILENAME: SD-836180712.DGN PART NO.: 836181712 DRAWING NO.: SD-836181712 SHEET NO.: 1 OF 1 PART REV: -	THIS DRAWING CONTAINS INFORMATION THAT IS PROPRIETARY TO ULTI-MATE INCORPORATED AND SHOULD NOT BE USED WITHOUT WRITTEN PERMISSION.	