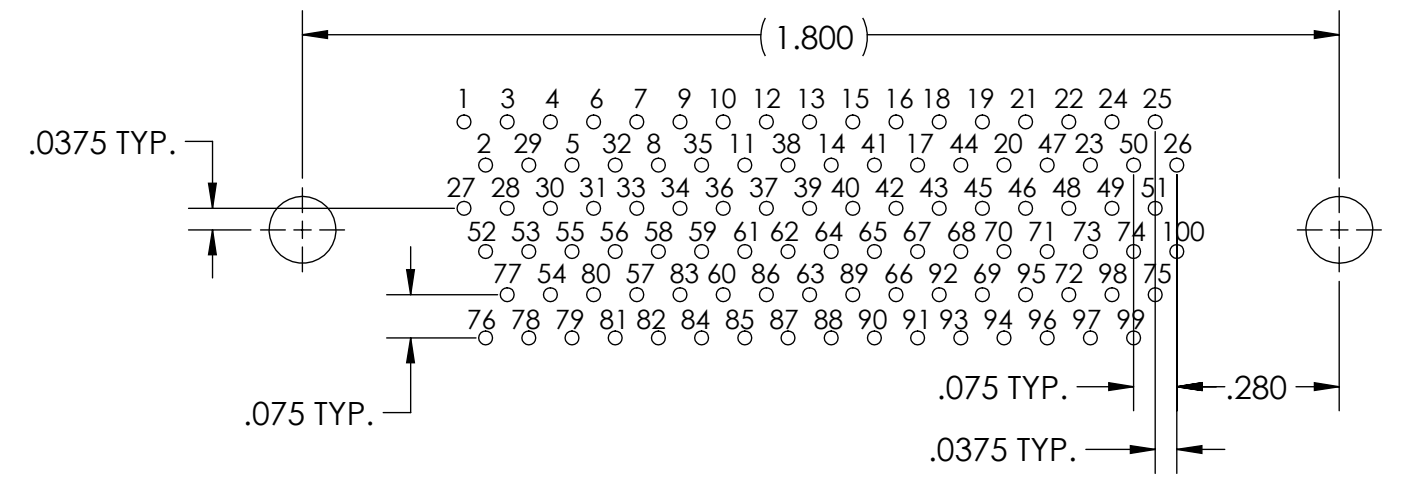
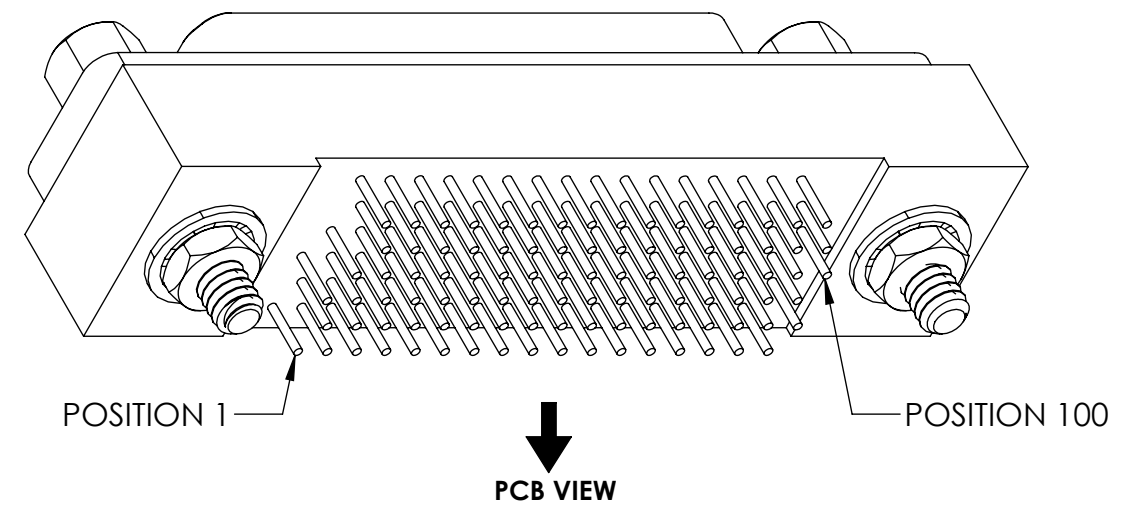
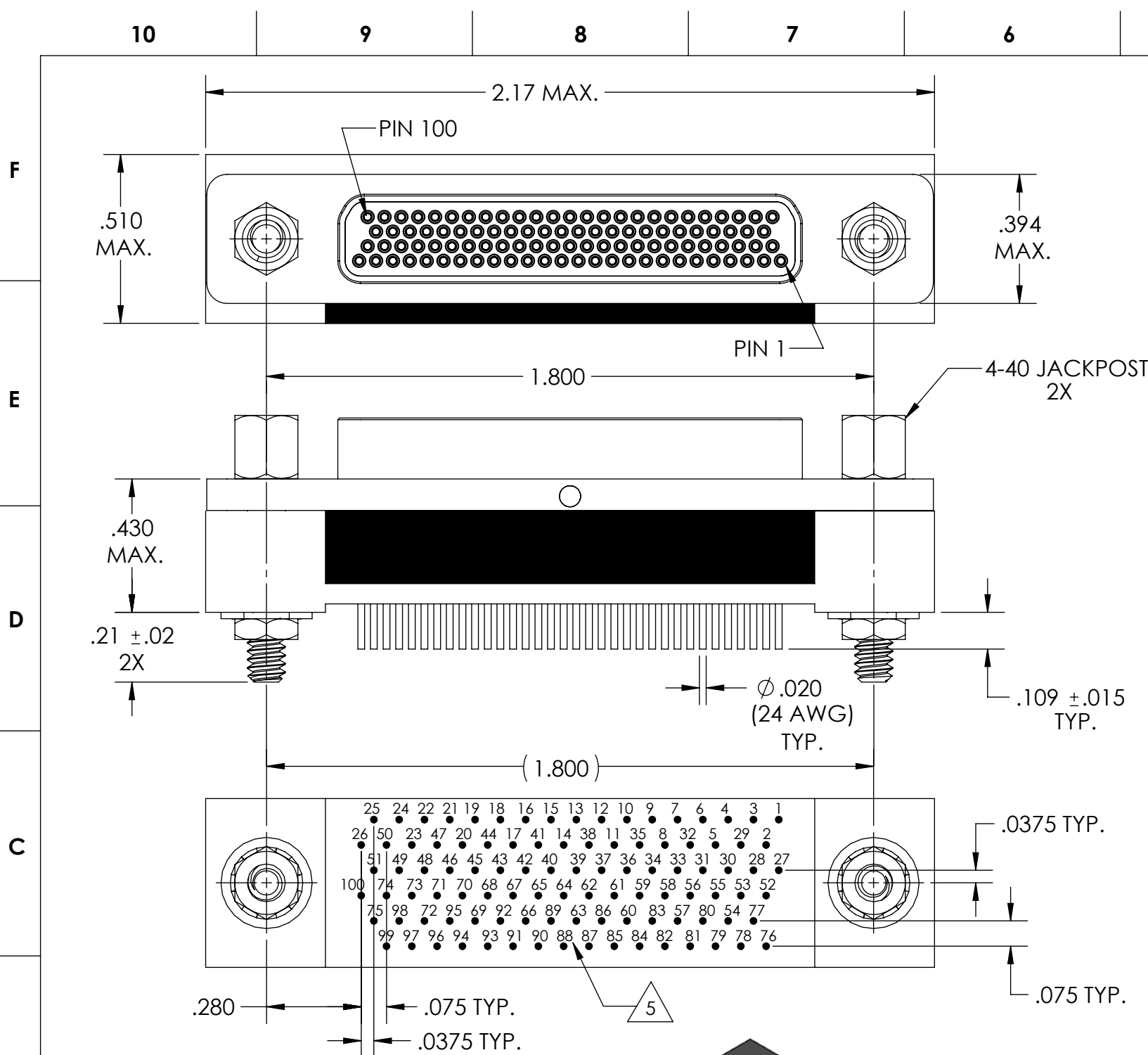
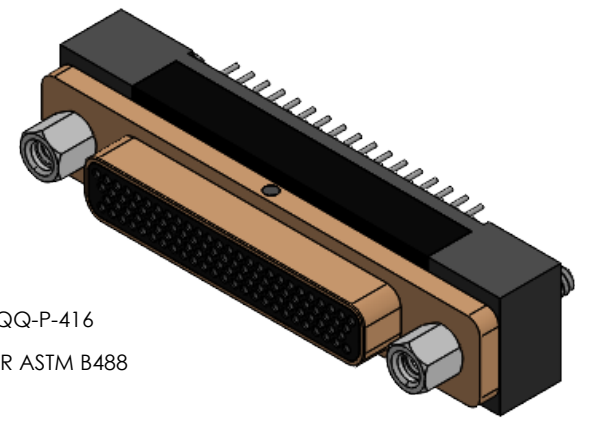


| PART REV | DWG ISSUE | DATE    | ECN NO. | APPVD BY | REL BY |
|----------|-----------|---------|---------|----------|--------|
| -        | -         | 1/28/22 | UMI7945 | DU       | DW     |



- B** 6. CONTACT HEIGHTS ARE TO BE PER QA-STD-101.
- 5** NUMBERS, (LEAD LOCATIONS), ARE SHOWN FOR REFERENCE ONLY AND DO NOT APPEAR ON ACTUAL PART.
4. PERFORMANCE SPECIFICATIONS:  
CURRENT RATING: 3 AMP MAX.  
DWV: 600 VAC  
TEMPERATURE RATING: -55°C TO 125°C
- 3** MATERIALS:  
SHELL: 6061-T6 ALUMINUM PER AMS-QQ-A200/8, CADMIUM PLATED PER AMS-QQ-P-416  
INSULATOR/BACKSHELL: PPS PER MIL-M-24519 GST-40F, COLOR: BLACK  
PIN CONTACTS: C17200 BERYLLIUM COPPER PER ASTM B194, GOLD PLATED PER ASTM B488  
24 AWG LEADS: TIN PLATED COPPER ALLOY PER A-A-59551, TYPE S  
HARDWARE: PASSIVATED STAINLESS STEEL, 300 SERIES
- A** 2. MARKING: "UMI", DATE CODE, UMI PART NUMBER, UMI WORK ORDER NUMBER  
1. CONNECTOR ASSEMBLY IS IAW MIL-DTL-83513 WHERE APPLICABLE.
- NOTES: UNLESS OTHERWISE SPECIFIED.**



|   |   |                                  |                                      |  |  |  |  |
|---|---|----------------------------------|--------------------------------------|--|--|--|--|
| QUALITY SYMBOLS<br>CRITICAL C<br>MAJOR<br>NO SYMBOLS = MINOR DIMENSIONS | UNLESS OTHERWISE SPECIFIED:<br>ALL DIMENSIONS ARE IN INCHES               | SCALE<br>NONE                    | DWG SIZE<br>B                        | THIRD ANGLE PROJECTION   | REVISE ON CAD ONLY   |  |  |
|   | GENERAL TOLERANCES:<br><br>3 PLACES ±.005<br>2 PLACES ±.01<br>ANGULAR ±2° | DRAWN BY & DATE<br>DU 1/28/22    |                                      | TITLE:<br>MICRO-D CIRCUIT CONNECTOR, "CMR" SERIES,<br>CM6R100P17, CADMIUM PLATED SHELL |  |  |  |
|   |   | CHECKED BY & DATE<br>DW 1/28/22  |                                      | MATERIAL:<br>3   | ENG PROJECT #:<br>TR331  |  |  |
|   |   | APPROVED BY & DATE<br>DW 1/28/22 |                                      | PART NO.<br>836180617  | DRAWING NO.<br>SD-836180617  |  |  |
|   | ULTI-MATE CAGE CODE<br>58967  |                                  | CAD FILE NAME<br>SD-836180617.slddrw |  | THIS DRAWING CONTAINS INFORMATION THAT IS PROPRIETARY TO ULTI-MATE INCORPORATED AND SHOULD NOT BE USED WITHOUT WRITTEN PERMISSION. |  |  |