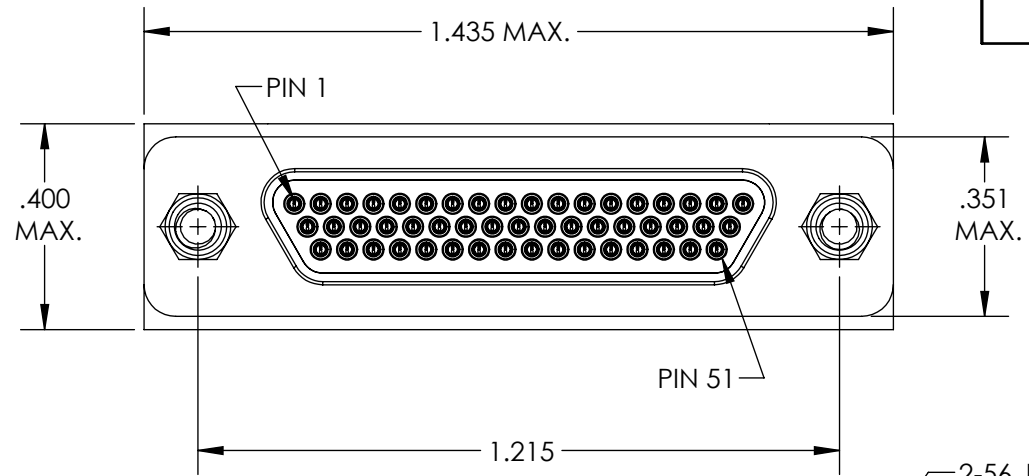
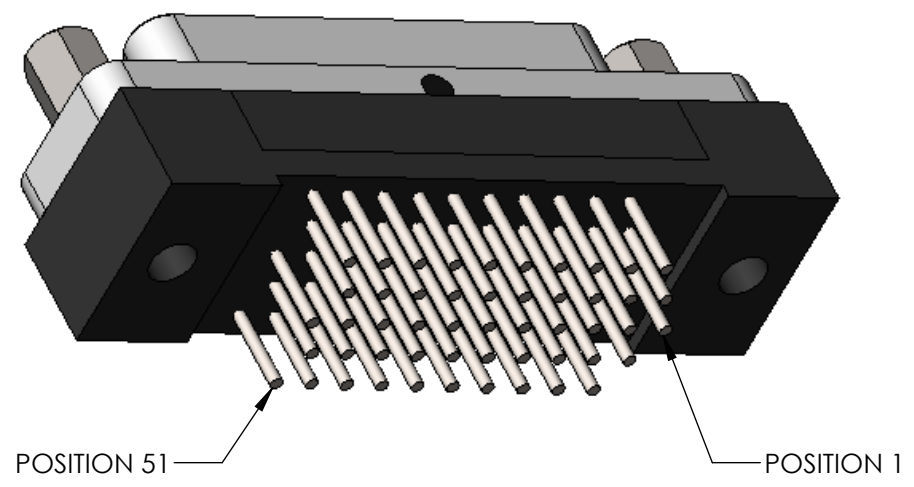


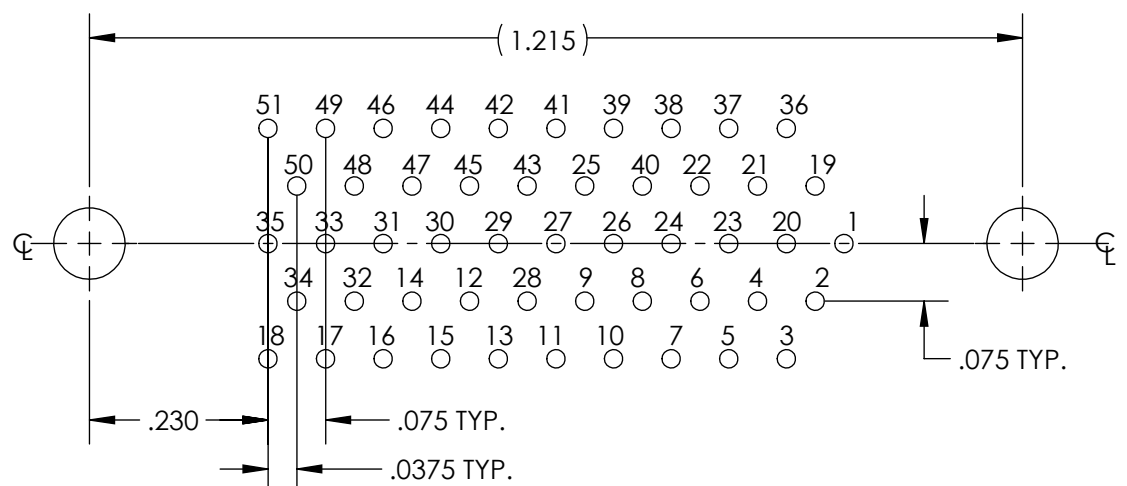
PART REV	DWG ISSUE	DATE	ECN NO.	APPVD BY	REL BY
-	-	1/3/17	UMI6189	DW	DW

F
E
D
C
B
A

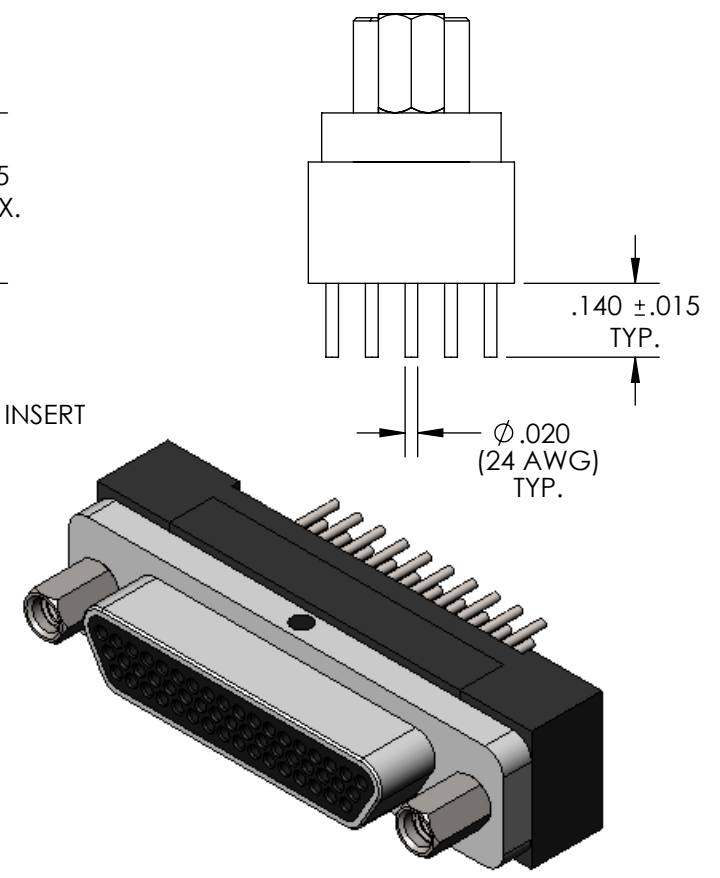
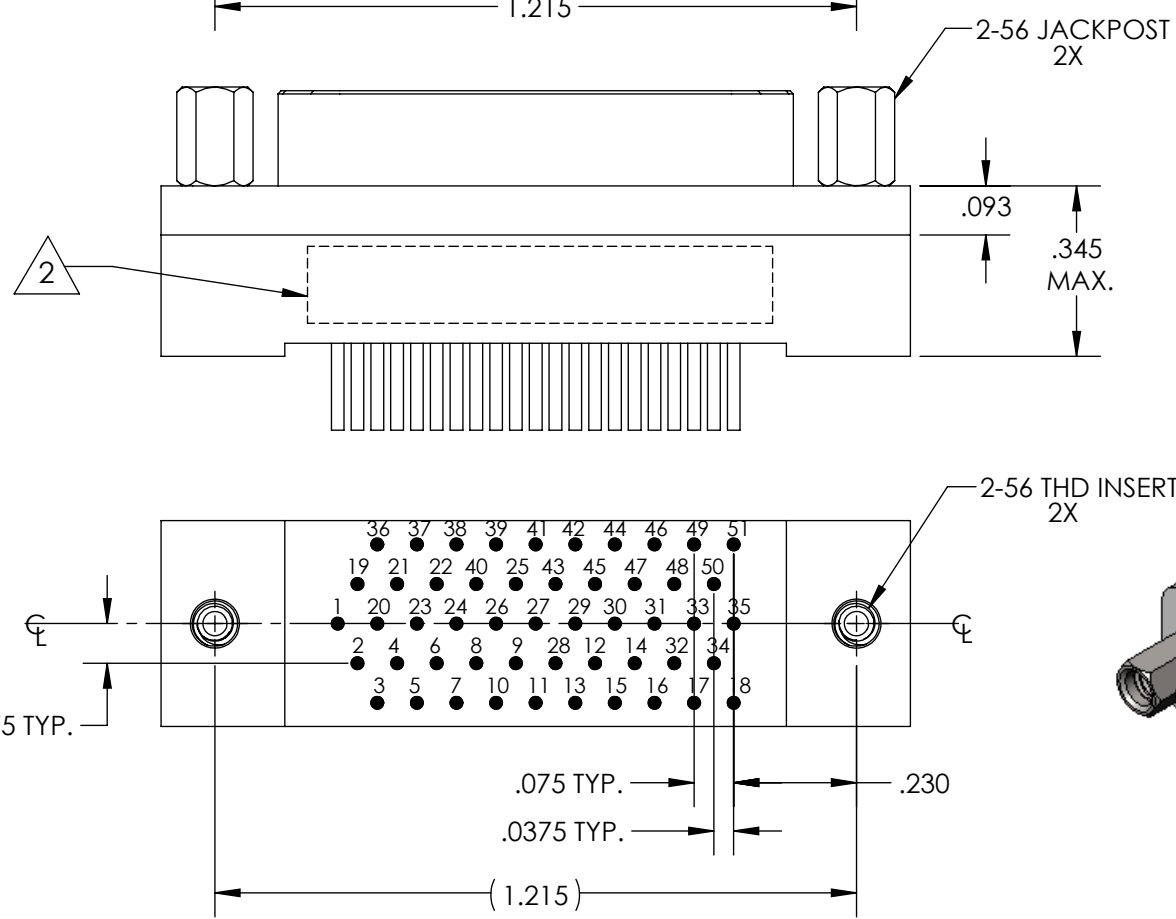


UMI PART NUMBER	SHELL PLATING
836171628 (CM6R51-3P07T-.140-S01)	NICKEL
836170628 (CM6R51-3P07T-.140)	CADMIUM

PCB VIEW



RECOMMENDED PCB LAYOUT



- 5 NUMBERS, (LEAD LOCATIONS), ARE SHOWN FOR REFERENCE ONLY AND DO NOT APPEAR ON ACTUAL PART.
- 4. PERFORMANCE SPECIFICATIONS:
CURRENT RATING: 3 AMPS MAX.
DWV: 600 VAC
TEMPERATURE RATING: 125° C
- 3 MATERIALS:
SHELL: 6061-T6 ALUMINUM PER AMS-QQ-A200/8, NICKEL PLATED PER AMS-2404
INSULATOR AND BACKSHELL: PPS PER MIL-M-24519 GST-40F, COLOR: BLACK
PIN CONTACTS: C17200 BERYLLIUM COPPER PER ASTM B194, GOLD PLATED PER ASTM B488
24 AWG LEADS: TIN PLATED COPPER ALLOY PER A-A-59551, TYPE S
HARDWARE: PASSIVATED STAINLESS STEEL IAW MIL-DTL-83513/5
- 2 MARKING: "UMI", DATE CODE, UMI PART NUMBER, UMI WORK ORDER NUMBER

1. CONNECTOR ASSEMBLY IS IAW MIL-DTL-83513 UNLESS OTHERWISE SPECIFIED.

NOTES: UNLESS OTHERWISE SPECIFIED.

QUALITY SYMBOLS CRITICAL MAJOR NO SYMBOLS = MINOR DIMENSIONS	UNLESS OTHERWISE SPECIFIED: ALL DIMENSIONS ARE IN INCHES	SCALE NONE	DWG SIZE B	THIRD ANGLE PROJECTION	REVISE ON CAD ONLY	
	GENERAL TOLERANCES: 3 PLACES ±.005 2 PLACES ±.01 ANGULAR ±2°	DRAWN BY & DATE DU 1/3/17	TITLE: MICRO-D CIRCUIT CONNECTOR, CM6R51-3P07T-.140-S01, NICKEL PLATED SHELL			MATERIAL: 3
	ULTI-MATE CAGE CODE 58967	CHECKED BY & DATE DW 1/3/17	APPROVED BY & DATE DW 1/3/17	ENG PROJECT #: NONE	SHEET NO. 1 of 1	
		CAD FILE NAME SD-836171628.sliddrw	PART NO. 836171628	DRAWING NO. SD-836171628		PART REV. -

THIS DRAWING CONTAINS INFORMATION THAT IS PROPRIETARY TO ULTI-MATE INCORPORATED AND SHOULD NOT BE USED WITHOUT WRITTEN PERMISSION.

