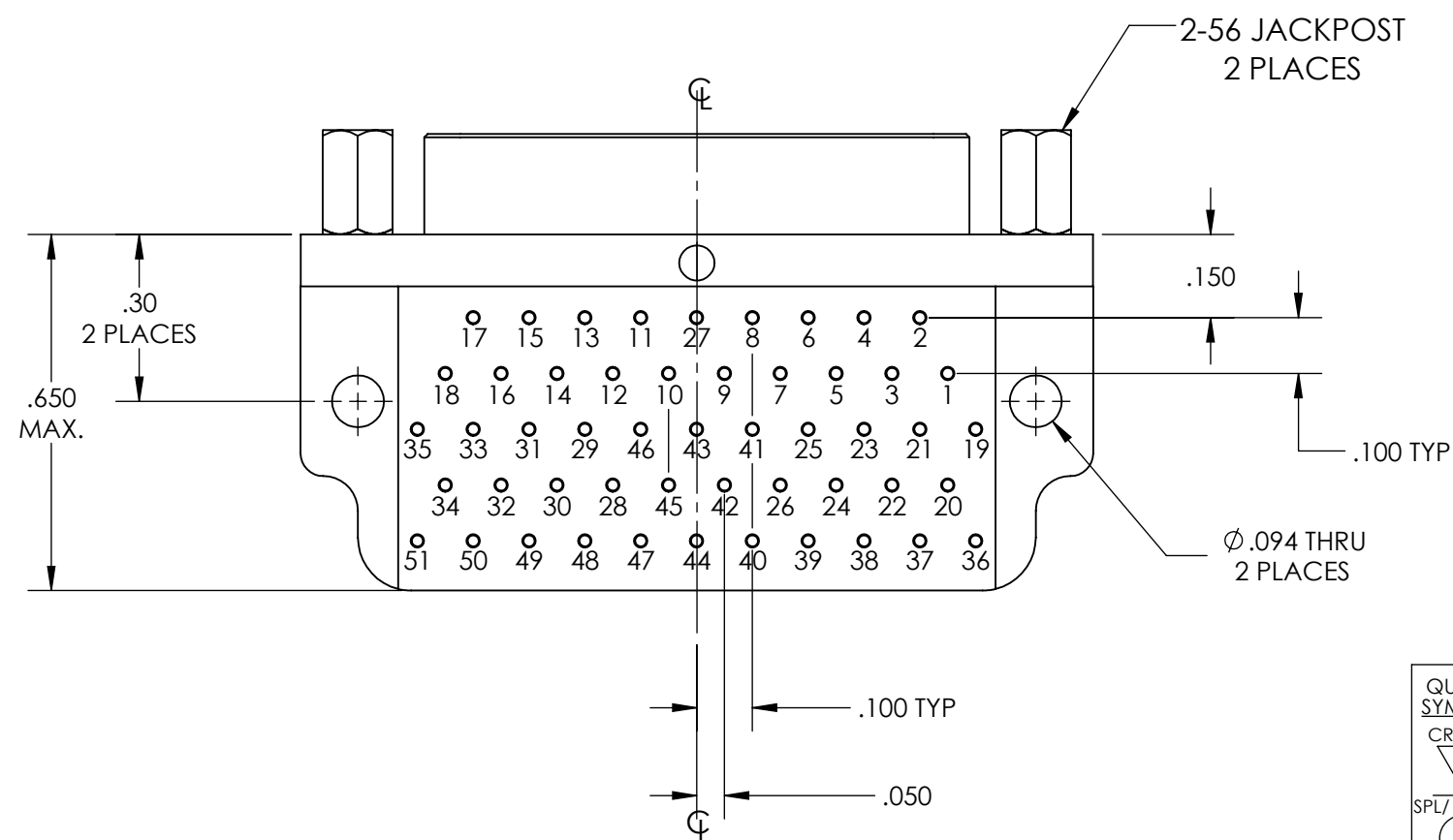
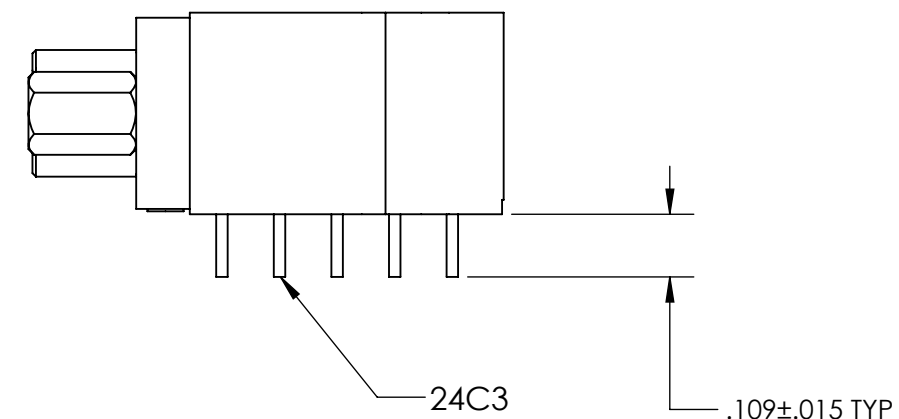
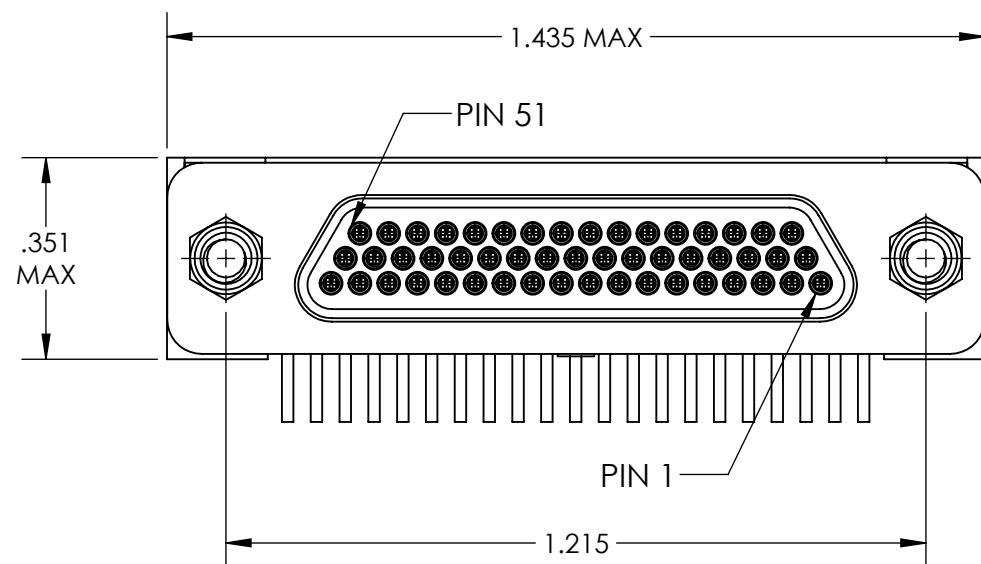


REVISIONS

PART REV.	DWG. ISSUE	DATE	ECN NO.	APPVD. BY	REL. BY
B	C	2-14-20	UMI7387	JA	DW



1. MARKING: UMI, DATE CODE, UMI P/N, WORK ORDER NO.  
 NOTES: UNLESS OTHERWISE SPECIFIED

QUALITY SYMBOLS CRITICAL SPL/ MINOR SPL/ MAJOR KEY	<b>UNLESS SPECIFIED:</b> ALL DIMENSIONS IN INCHES GENERAL TOLERANCES: 3 PLACE ±.005 2 PLACE ±.01 ANGULAR ±2°	SCALE NONE	DWG SIZE B	THIRD ANGLE PROJECTION	REVISE ON CAD ONLY	
	ALL EXTERNAL SPECIFICATIONS REFERENCED ON THIS DRAWING SHALL BE THE LATEST REVISION IN EFFECT Ulti-Mate CAGE CODE <b>58967</b>	DRAWN BY & DATE D.URBACH 23MAR98	TITLE CIRCUIT CONNECTOR, CM1R51-3P07-S01		MATERIAL	
		CHECKED BY & DATE SEE ECN	ENG PROJECT #		SHEET NO. <b>1 OF 1</b>	
		APPROVED BY & DATE SEE ECN	CAD FILENAME SD-836171117.slddrw	PART NO. 836171117	DRAWING NO. SD-836171117	PART REV. B
		THIS DRAWING CONTAINS INFORMATION THAT IS PROPRIETARY TO ULTI-MATE INCORPORATED AND SHOULD NOT BE USED WITHOUT WRITTEN PERMISSION.				

