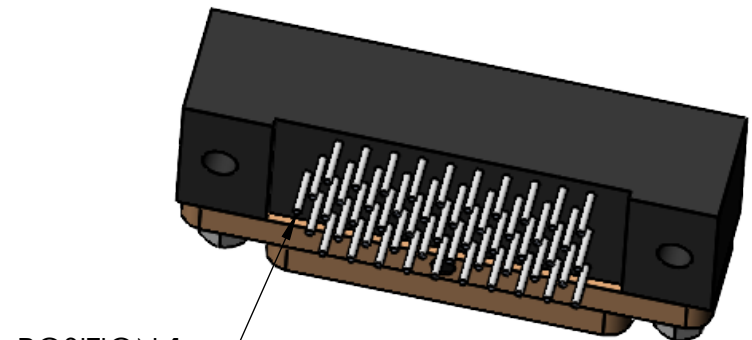
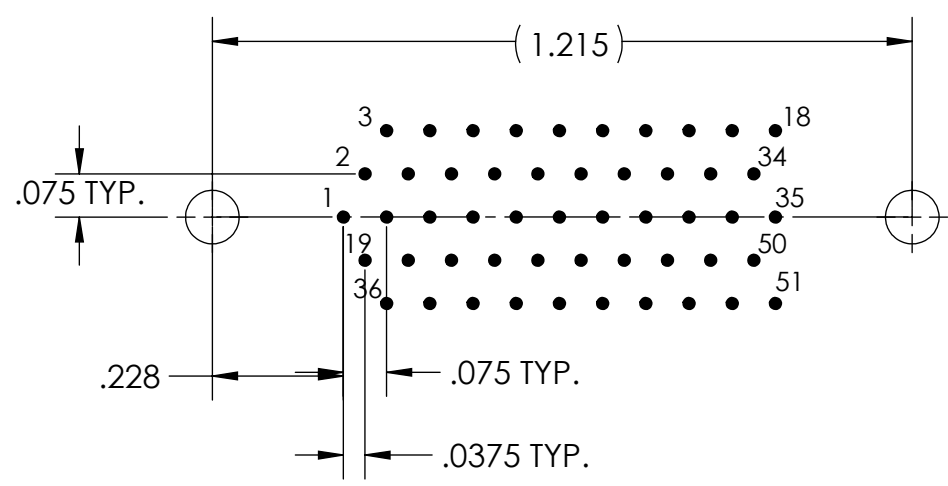


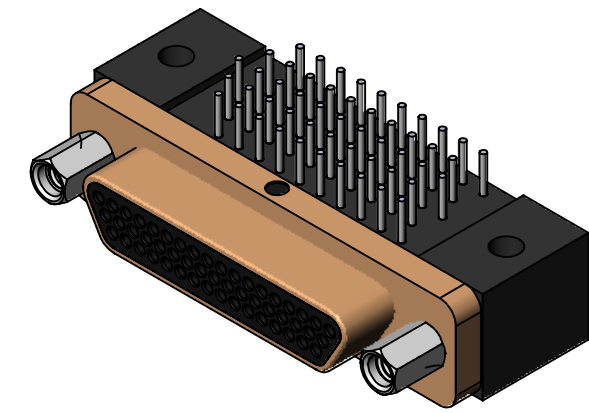
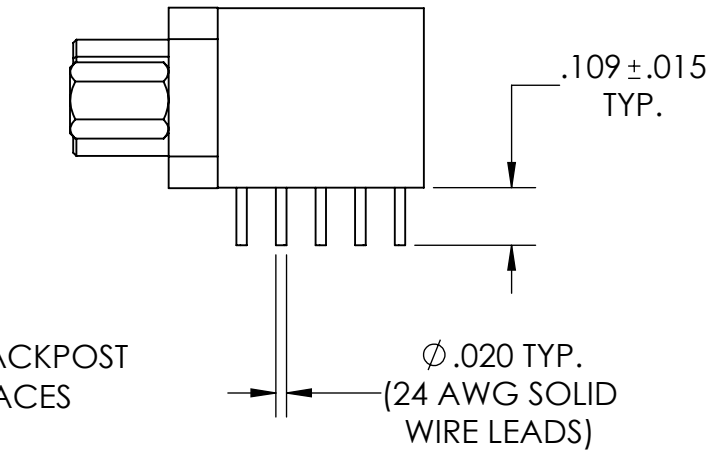
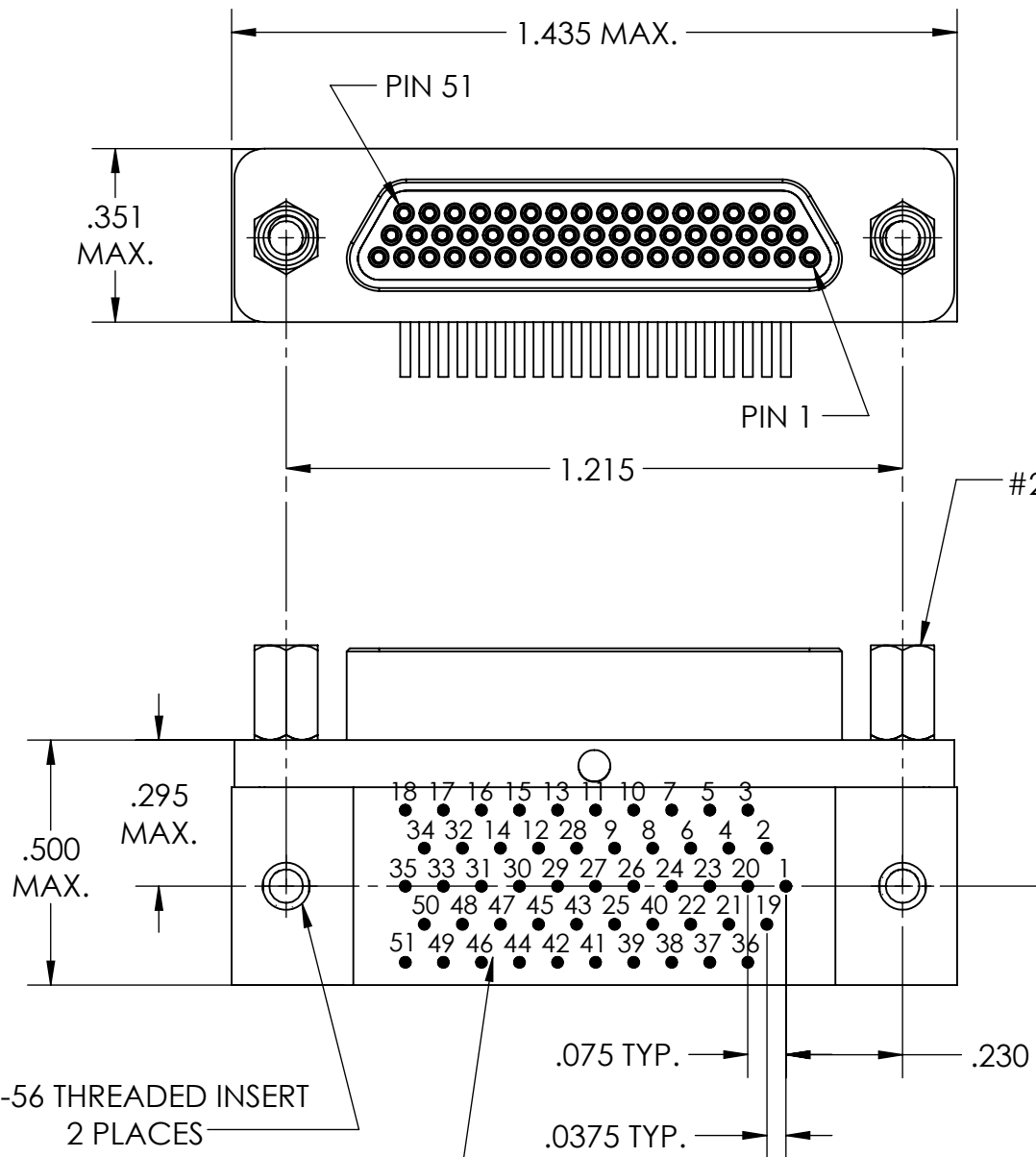
| REVISIONS |            |          |         |
|-----------|------------|----------|---------|
| PART REV. | DWG. ISSUE | DATE     | ECN NO. |
| -         | -          | 09/30/22 | UMI8153 |



PCB VIEW



RECOMMENDED PCB LAYOUT



- 6 CONTACT HEIGHTS ARE TO BE PER QA-STD-101
- 5 LEAD LOCATION NUMBERS ARE SHOWN FOR REFERENCE ONLY AND DO NOT APPEAR ON ACTUAL PART.
- 4 PERFORMANCE SPECIFICATIONS:  
 CONTACTS CURRENT RATING: 3A MAX.  
 INSULATION RESISTANCE: 5000 MΩ MIN.  
 DWV: 600 VAC  
 TEMPERATURE RATING: -55°C TO 125°C
- 3 MATERIALS:  
 SHELL: 6061-T6 ALUMINUM PER AMS-QQ-A200/8, CADMIUM PLATED PER AMS-QQ-P-416  
 BACKSHELL AND INSULATOR: PPS PER MIL-M-24519 GST-40F, COLOR: BLACK  
 PIN CONTACTS: C17200 BERYLLIUM COPPER PER ASTM B194, GOLD PLATED PER ASTM B488  
 24 AWG LEADS: TIN PLATED COPPER ALLOY PER A-A-5951, TYPE S  
 HARDWARE: PASSIVATED STAINLESS STEEL IAW MIL-DTL-83513/5
- 2. MARKING: UMI, DATE CODE, UMI P/N, UMI WORK ORDER NUMBER
- 1. CONNECTOR ASSEMBLY IS IAW MIL-DTL-83513 WHERE APPLICABLE

NOTES: UNLESS OTHERWISE SPECIFIED

|   |   |  |                       |                             |                       |  |
|---|---|--|-----------------------|-----------------------------|-----------------------|--|
| QUALITY SYMBOLS<br>CRITICAL<br>MAJOR<br>NO SYMBOL = MINOR DIMENSION | <b>UNLESS SPECIFIED:</b><br>ALL DIMENSIONS IN INCHES<br>GENERAL TOLERANCES:<br>3 PLACE ±.005<br>2 PLACE ±.01<br>ANGULAR ±2°<br>ALL EXTERNAL SPECIFICATIONS REFERENCED ON THIS DRAWING SHALL BE THE LATEST REVISION IN EFFECT<br>Ulti-Mate CAGE CODE<br><b>58967</b> | SCALE<br>NONE  | DWG SIZE<br>B         | THIRD ANGLE PROJECTION      | REVISE ON CAD ONLY    |  |
|   | DRAWN BY<br>N.DO  | TITLE<br><b>MICRO-D CIRCUIT CONNECTOR<br/>                 SIZE 51-3, PLUG<br/>                 CM8R51-3P07T</b> |                       | MATERIAL<br>3               | ENG PROJECT #<br>NONE |  |
|   | DATE DRAWN<br>09/30/2022  | CAD FILENAME<br>SD-836170818.slddrw  | PART NO.<br>836170818 | DRAWING NO.<br>SD-836170818 | SHEET NO.<br>1 OF 1   |  |
|   | THIS DRAWING CONTAINS INFORMATION THAT IS PROPRIETARY TO ULTI-MATE INCORPORATED AND SHOULD NOT BE USED WITHOUT WRITTEN PERMISSION.  |  |                       |                             | PART REV.<br>-        |  |