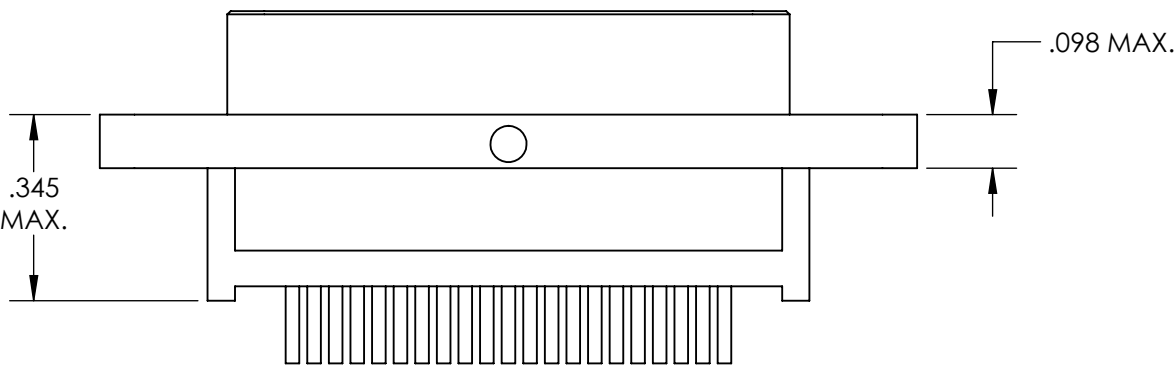
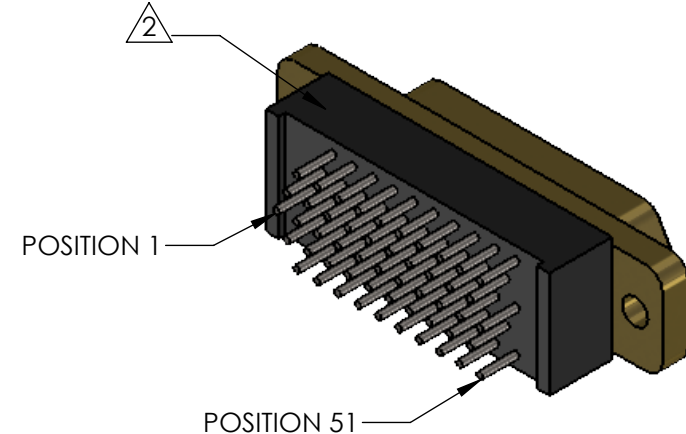
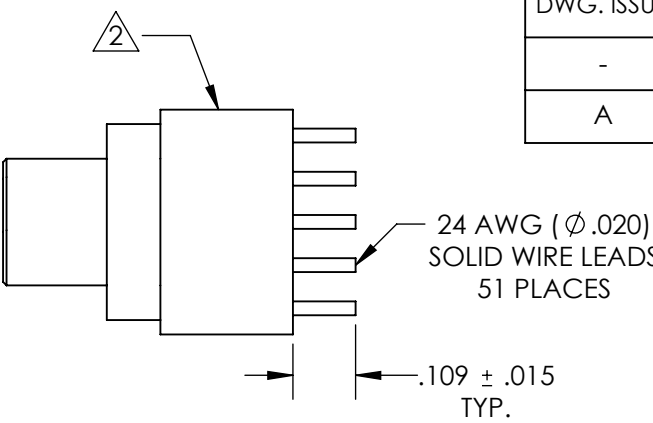
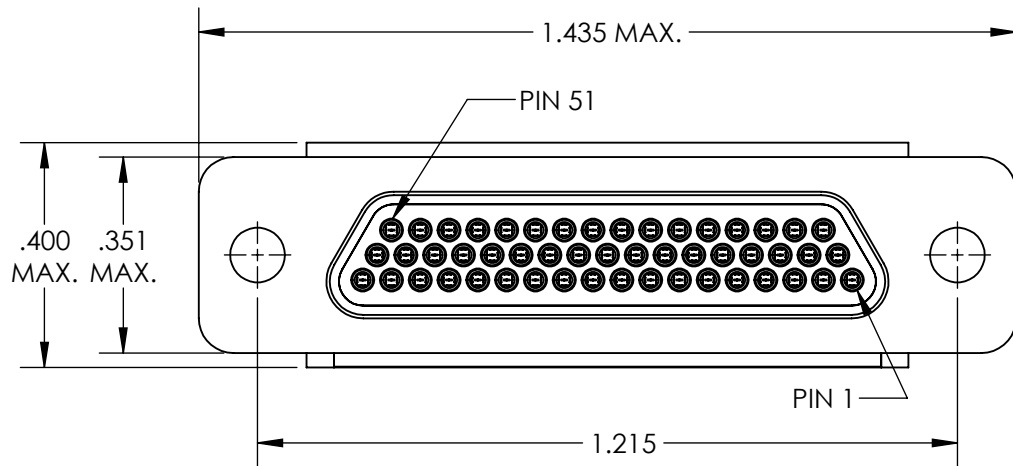
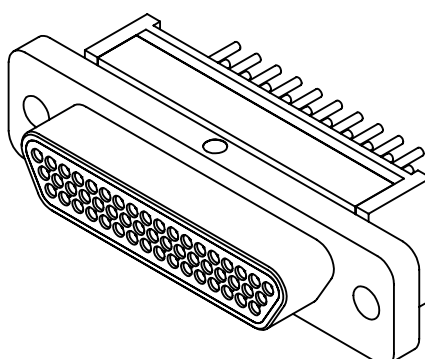
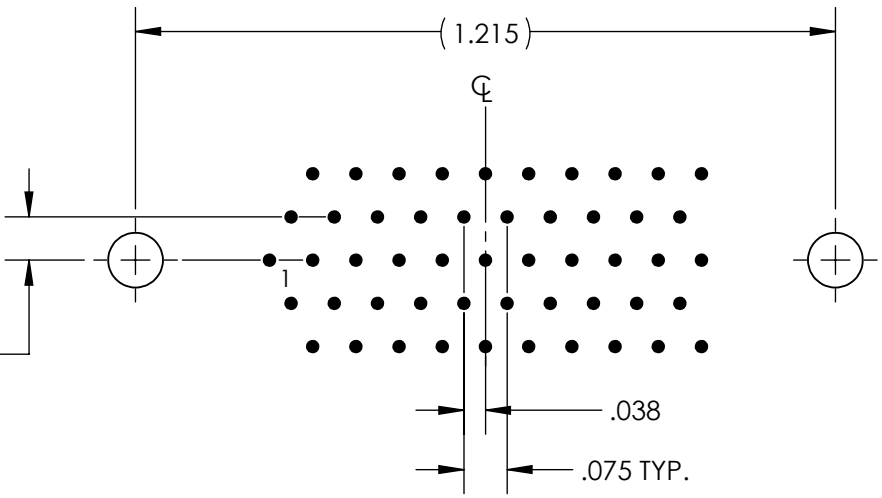
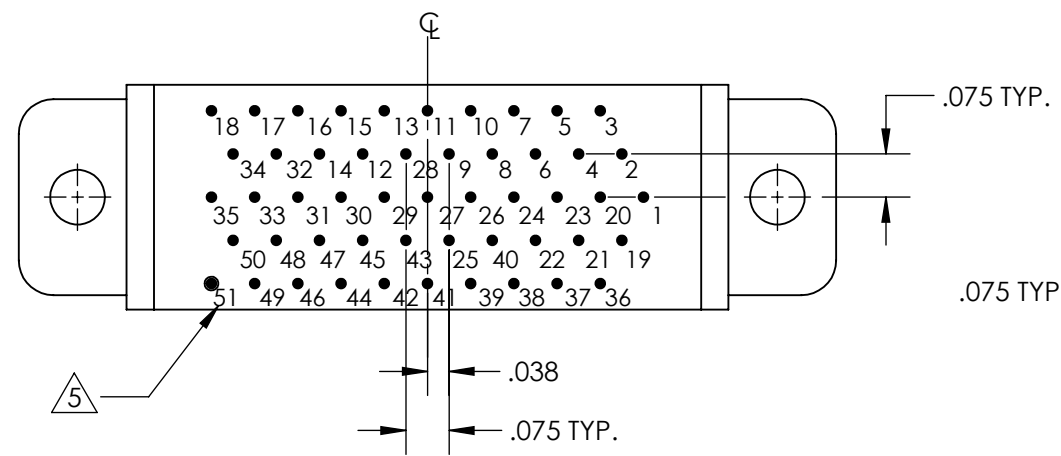


REVISIONS

DWG. ISSUE	PART REV.	DATE	ECN NO.	APPVD. BY	REL. BY
-	-	07/08/2013	UMI5015	DW	DW
A	A	08/25/2017	UMI6483	DW	DW



RECOMMENDED PCB LAYOUT



5 NUMBERS ARE FOR REFERENCE ONLY AND DO NOT APPEAR ON PART
 4. PERFORMANCE SPECIFICATIONS:
 CURRENT RATING: 3A MAX.
 INSULATION RESISTANCE: 5000 MΩ MIN.
 DWV: 600 VAC
 TEMPERATURE RATING: 125°C
 CONTACT RESISTANCE: 8 mΩ MAX AT 2.5 AMPS

3 MATERIALS:
 SHELL: 6061-T6 ALUMINUM PER AMS-QQ-A200/8, CADMIUM PLATED PER AMS-QQ-P-416
 INSULATOR AND BACKSHELL: PPS PER MIL-M-24519 GST-40F, COLOR: BLK
 SOCKET CONTACTS: C21000 BRASS ALLOY PER ASTM B36, GOLD PLATED PER ASTM B488
 24 AWG LEADS: TIN PLATED COPPER ALLOY PER A-A-59551 TYPE S
 INTERFACIAL SEAL: FLUOROSILICONE PER MIL-R-25988

2 MARKINGS: UMI, UMI PART NO., AND DATE CODE ON SIDE OF BACKSHELL SHOWN ABOVE.
 1. CONNECTOR ASSEMBLY IS IAW MIL-DTL-83513 UNLESS OTHERWISE SPECIFIED

NOTES: UNLESS OTHERWISE SPECIFIED

QUALITY SYMBOLS CRITICAL MAJOR NO SYMBOL = MINOR DIMENSION	UNLESS SPECIFIED: ALL DIMENSIONS IN INCHES GENERAL TOLERANCES: 3 PLACE ±.002 2 PLACE ±.005 ANGULAR ±2° Ulti-Mate CAGE CODE 58967	SCALE 3:1	DWG SIZE B	THIRD ANGLE PROJECTION	REVISE ON CAD ONLY
		DRAWN BY & DATE JB 07/08/2013		TITLE MICRO-D CIRCUIT CONNECTOR, PLUG, STYLE 16, SIZE 51-3 CM16R51-3P0	
		CHECKED BY & DATE DW 07/09/2013		MATERIAL	
		APPROVED BY & DATE DW 07/09/2013		PART NO. 836170710	
CAD FILENAME SD-836170710.slddrw		DRAWING NO. SD-836170710		SHEET NO. 1 OF 1	
THIS DRAWING CONTAINS INFORMATION THAT IS PROPRIETARY TO ULTI-MATE INCORPORATED AND SHOULD NOT BE USED WITHOUT WRITTEN PERMISSION.					
PART REV. A					

