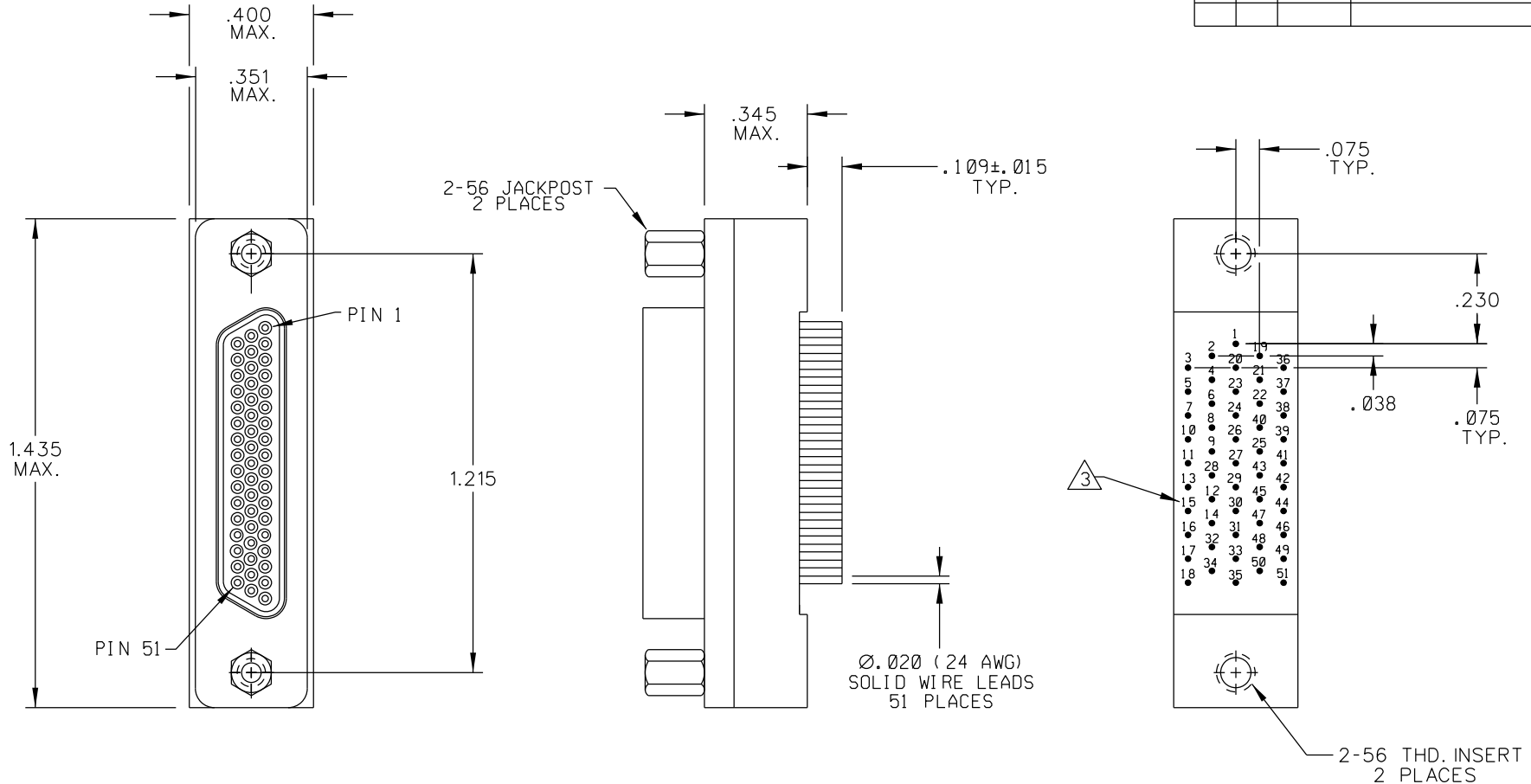


PART REV	DWG ISSUE	DATE	ECN NO.	APPVD BY	REL BY
-	-	7-17-13	UMI 5037		



3 NUMBERS ON BACKSHELL ARE SHOWN FOR REFERENCE ONLY AND DO NOT APPEAR ON PART

2 MATERIALS:
 SHELL: 6061-T6 ALUMINUM PER AMS-QQ-A200/8 CADMIUM PLATED PER AMS-QQ-P-416
 INSULATOR AND BACKSHELL: PPS PER MIL-M-24519 GST-40F
 PIN CONTACTS: C17200 BERYLLIUM COPPER PER ASTM B194 PER ASTM-B194, GOLD PLATED PER ASTM B488-01
 24 AWG SOLID WIRE LEADS: TIN PLATED COPPER ALLOY
 HARDWARE: STAINLESS STEEL, PASSIVATED PER AMS 2700
 1. MARKING: UMI, DATE CODE, UMIP/N.

NOTES: UNLESS OTHERWISE SPECIFIED.

QUALITY SYMBOLS CRITICAL ∇ 2 MAJOR \blacktriangledown NO SYMBOL = MINOR DIMENSION	UNLESS SPECIFIED: ALL DIMENSIONS IN INCHES	SCALE 3 : 1	DWG SIZE B	THIRD ANGLE PROJECTION	REVISE ON CAD ONLY
	GENERAL TOLERANCES: 3 PLACE ± .005 2 PLACE ± .01 ANGULAR ± 2°	DRAWN BY & DATE DW 7-17-13	TITLE: CIRCUIT CONNECTOR, CM6R51-3P07T		
	Utli-Mate CAGE CODE 58967	CHECKED BY & DATE	MATERIAL: 2 Utli-Mate Connector Inc.		
		APPROVED BY & DATE	CAD FILENAME SD-836170618.DGN	PART NO. 836170618	DRAWING NO. SD-836170618
THIS DRAWING CONTAINS INFORMATION THAT IS PROPRIETARY TO ULTI-MATE INCORPORATED AND SHOULD NOT BE USED WITHOUT WRITTEN PERMISSION.					PART REV -