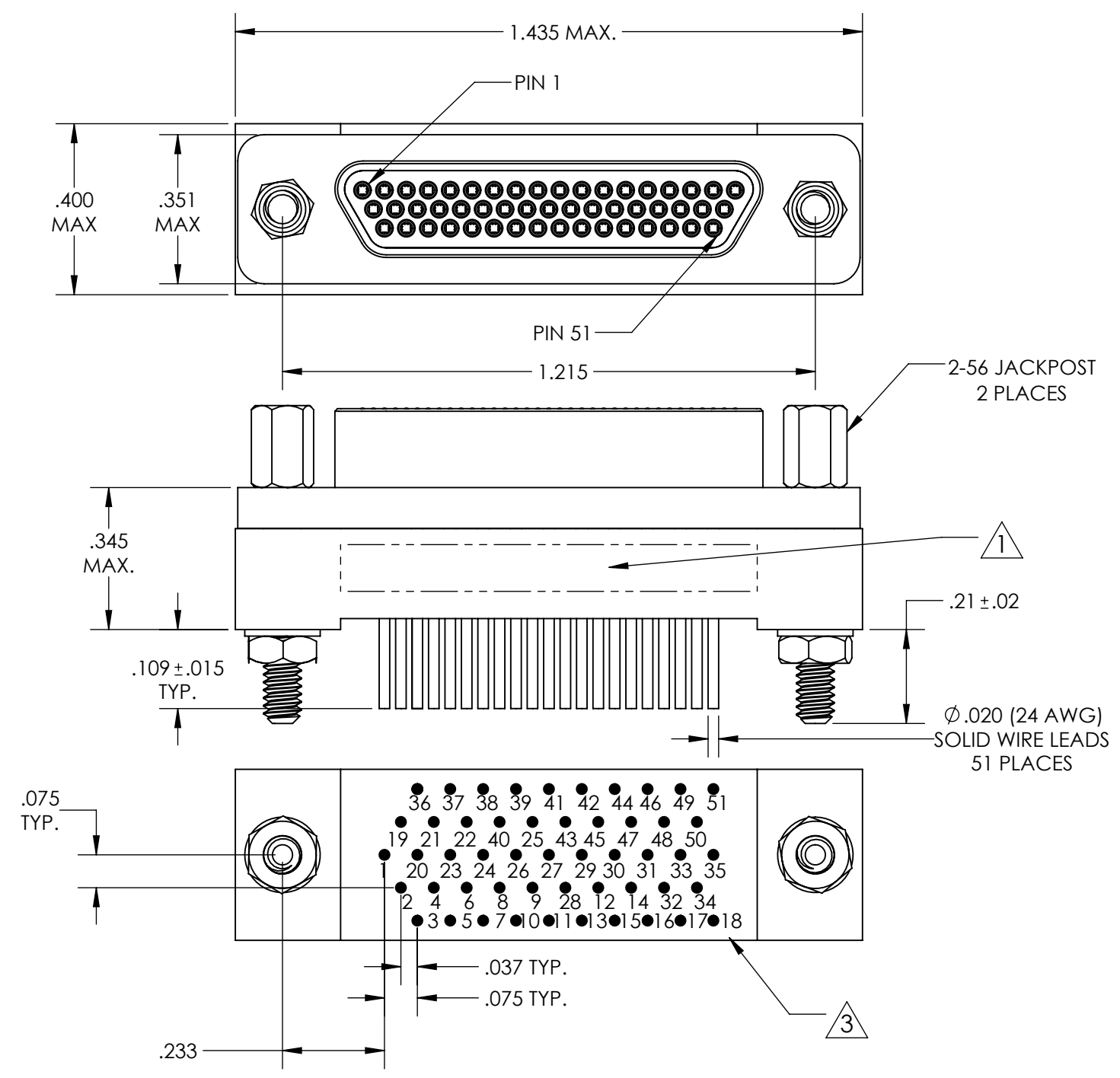
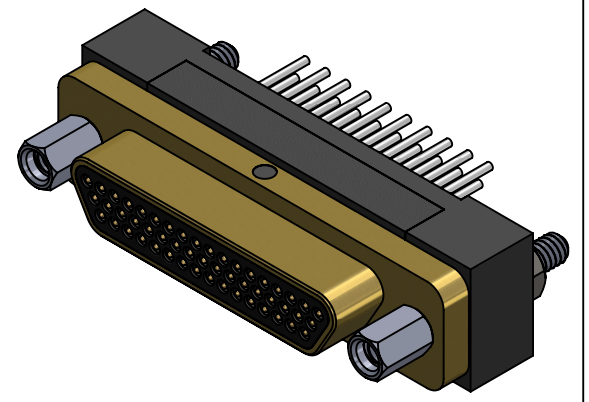
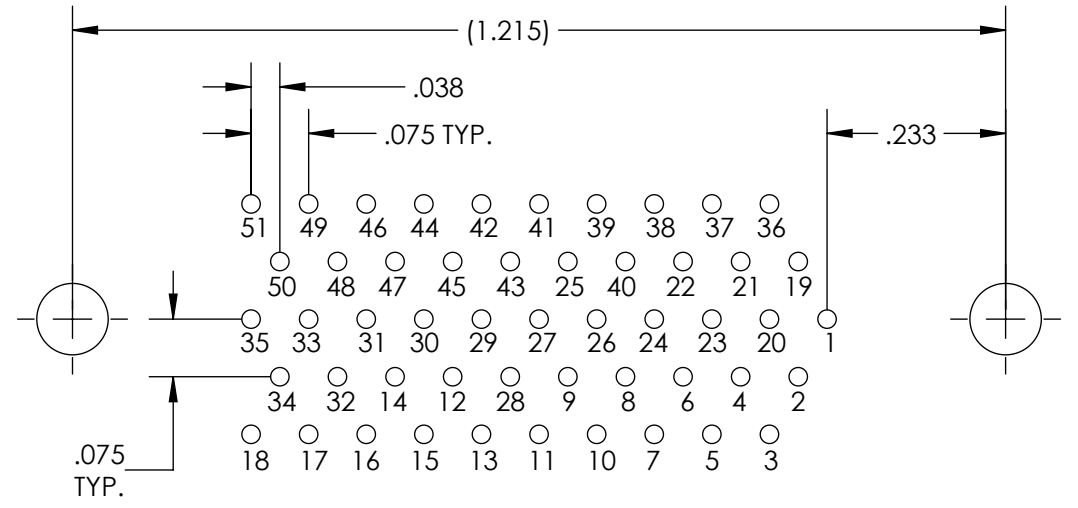


REVISIONS					
PART REV.	DWG. ISSUE	DATE	ECN NO.	APPVD. BY	REL. BY
-	-	8-26-10	UMI4332	DW	DW
-	A	6-15-17	UMI6406	DW	DW



**RECOMMENDED PCB LAYOUT**



③ NUMBERS SHOWN ON BACKSHELL ARE FOR REFERENCE ONLY AND DO NOT APPEAR ON PART.

② MATERIALS:  
 SHELL: 6061-T6 ALUMINUM PER QQ-A200/8 CADMIUM PLATED PER SAE-AMS-QQ-P-416.  
 PIN CONTACTS: C17200 BERYLLIUM COPPER PER ASTM-B194, GOLD PLATED PER ASTM B488.  
 24 AWG SOLID WIRE LEADS: TIN PLATED COPPER ALLOY.  
 HARDWARE: STAINLESS STEEL, PASSIVATED PER AMS 2700.

① MARKINGS: UMI, UMI DATE CODE, UMI PART NUMBER, AND WORK ORDER NUMBER.

NOTES: UNLESS OTHERWISE SPECIFIED

QUALITY SYMBOLS CRITICAL MAJOR NO SYMBOL = MINOR DIMENSION	<b>UNLESS SPECIFIED:</b> ALL DIMENSIONS IN INCHES GENERAL TOLERANCES: 3 PLACE ±.005 2 PLACE ±.01 ANGULAR ±2° ALL EXTERNAL SPECIFICATIONS REFERENCED ON THIS DRAWING SHALL BE THE LATEST REVISION IN EFFECT Ulti-Mate CAGE CODE <b>58967</b>	SCALE 3:1 DWG SIZE B	THIRD ANGLE PROJECTION <b>REVISE ON CAD ONLY</b>	
	DRAWN BY & DATE DW 10-24-11	TITLE CIRCUIT CONNECTOR, PLUG (PINS), SIZE 51-3, STYLE 6 BACKSHELL, CM6R51-3P07		
	CHECKED BY & DATE SEE ECN	APPROVED BY & DATE SEE ECN	MATERIAL ②	ENG PROJECT # -
	CAD FILENAME SD-836170617.SLDDRW	PART NO. 836170617	DRAWING NO. SD-836170617	SHEET NO. 1 OF 1 PART REV. -

THIS DRAWING CONTAINS INFORMATION THAT IS PROPRIETARY TO ULTI-MATE INCORPORATED AND SHOULD NOT BE USED WITHOUT WRITTEN PERMISSION.

